

Centrifugal pumps made of welded stainless steel

High strength and good resistance to chemicals at a very low weight.

Technical data

- Delivery rate
 $Q_{\max} = 70 \text{ l/min}$
- Delivery head
 $H_{\max} = 6 \text{ m}$
- Temperature range
up to $+80 \text{ °C}$

Product features

- Centrifugal pump, 1-stage
- Open impeller
- Port dimensions to
DIN EN 12157
- Immersion depths:
170, 220, 270 mm



Main applications

- Printing machines
- Surface coating/impregnation
- Medical equipment
- Erosion systems
- Electroplating baths
- Washing/degreasing installations
- Foodstuffs industry (peripheral conveyance tasks)
- etc.

Liquids

- Druckfarben, Lösungsmittelhaltig
- Wasserfarben
- Lacke
- Wasser, auch entionisiert
- Emulsionen
- Öle
- Reinigungsflüssigkeiten
- etc.

Viscosities: up to 160 mm²/s
(higher ones on request)

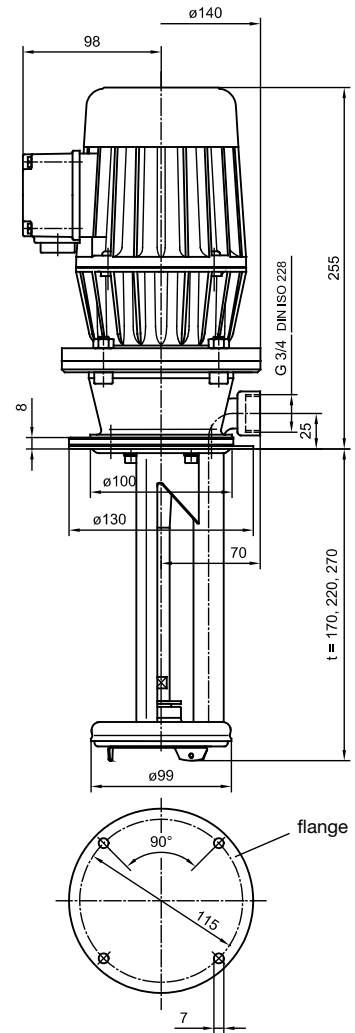
Temperatures: up to +80 °C

Ambient temperature: max. 40 °C
(other on request)

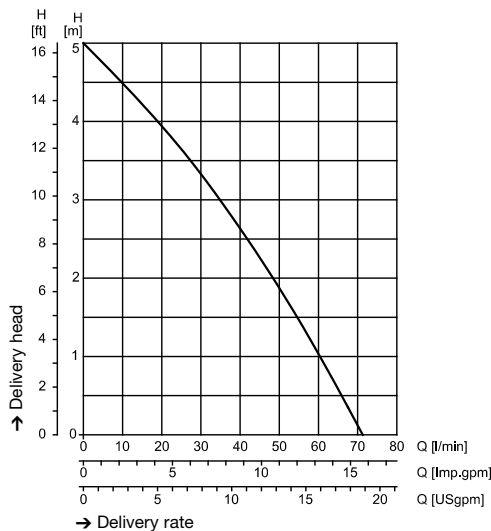
Product advantages

Our new product, an immersion pump made of stainless, deep-drawn, welded sheet steel, has a number of advantages over cast pumps.

- All pump components of stainless steel 1.4301; shaft of stainless steel 1.4122.
 - Good price/performance ratio.
- Easy to handle due to low weight (approx. 10 kg).
- Fast and thorough cleaning due to smooth surfaces.
 - Sticking of fluids and bacteria is mini-mized.
 - Dependability, even with highly viscous liquids, due to special pump hydraulics.



Parameters 50 Hz



Data are for liquids with a viscosity of 1 mm²/s and a density of 1 kg/dm³

Electrical data

Rated frequency	Rated voltage Δ / Y	Rated current Δ / Y	Rated power	Rated speed
[Hz]	[V]	[A]	[kW]	[rpm]
50	230 / 400	1.72 / 1.0	0.37	2667

Type of enclosure: IP 54
Insulation class: F.B
CE sign

Spandau stainless steel pumps:
Corrosion-proof – chemicals-resistant –
light – quiet – easy to clean

This brochure was presented by:

SKF Lubrication Systems Germany AG
Product department Spandau Pumps
Motzener Strasse 35/37 · 12277 Berlin · Germany
PF 970444 · 12704 Berlin · Germany
Tel. +49 (0)30 72002-0 · Fax +49 (0)30 72002-261
www.spandaupumpen.com