

***Centrifugal pumps of metal
with high resistance
to wear for diverse
industrial fluids***

Technical data

- Delivery rate
 $Q_{\max} = 400 \text{ l/min}$
- Delivery head
 $H_{\max} = 48 \text{ m}$
- Temperature range
PMS: $0 \text{ }^{\circ}\text{C}$ to $+80 \text{ }^{\circ}\text{C}$
PMS-T: $-70 \text{ }^{\circ}\text{C}$ to $+170 \text{ }^{\circ}\text{C}$

Product features

- Centrifugal pump,
1- to 4-stage models
- Open impellers
- Port dimensions to
DIN EN 12157
- Immersion depths of up to 560 mm
- Available in various materials
- "Slurp" type models
for fluids containing trapped air



Main applications

- Machine tools
- Filtration systems
- Conditioning of coolants and oils
- Cooling systems
- Cleaning and degreasing installations
- Printing machines
- Erosion machines
- Wetting equipment and temperature stabilizers
- Surface coating
- Paraffin plants
- Optical machines
- Glassworking
- etc.

Fluids delivered

- Emulsions, also with chemical additives
- Oils
- Water with anticorrosion additives
- Waterbased paints
- Heattransfer oils
- etc.

Temperature range:

Standard version, PMS: 0 °C to 80 °C

Special material version, PMS-T: -70 °C to +170 °C

Special impellers are available for fluids with densities deviating from that of water.

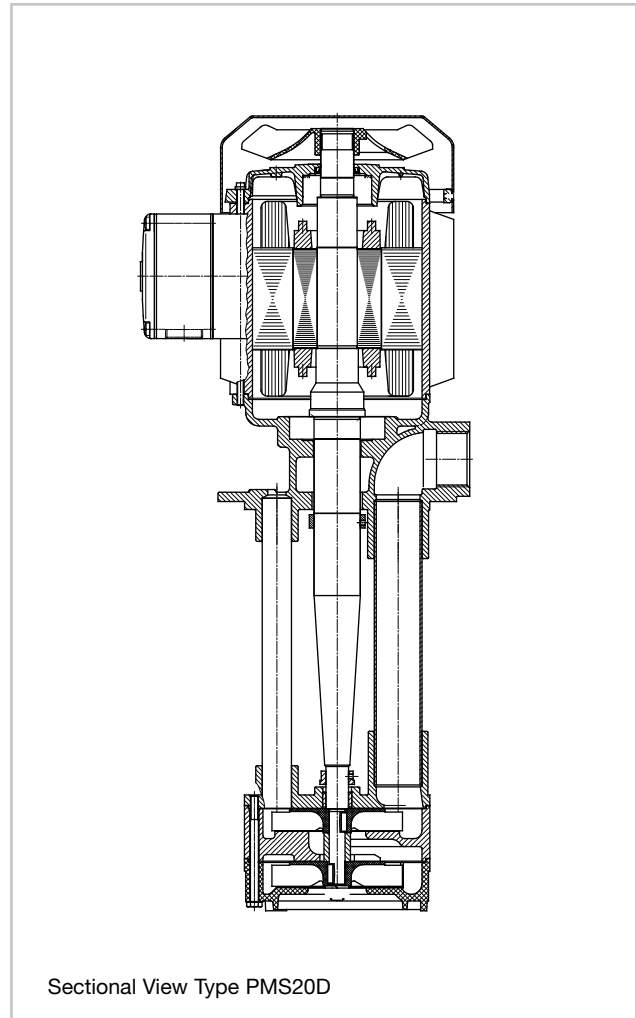
Contaminants with a small grain size are permissible.

Special pumps for slurp operation are available for fluids carrying large amounts of air. They are available in sizes 9, 11 and 15.

Their special design provides for a continuous rate of flow even when fluids contain trapped air.

Design features

- sealless
- freefloating shaft supported only by bearing assembly in the motor
- open impellers
- 1- to 4-stage models
- connecting dimensions to DIN EN 12157
- immersion depths of up to 560 mm



Mechanical design

Component	Type PMS	Type PMS-T
Motor housing	aluminum	aluminum
Pump support	cast iron and steel	cast iron and steel
Pump bottom	POM	cast iron
Intermediate chamber	cast iron	cast iron
Impeller	POM	cast iron
Shaft	ETG	ETG
Splash ring	NBR (Perbunan)	steel
Antifriction bearings	radial deep-groove ball bearing with 2 side plates (2 Z) with permanent lubrication	side plate (1 Z) with special grease
Small parts (in contact with fluid)	steel	steel

Optional materials:

Special models of stainless steel are possible:

Shaft of stainless steel 1.4122 or 1.4571, pump parts on request.

Electrical design

The drive motors conform to VDE regulations as well as to European motor standards (DIN EN 60034-1/11.95) and the requirements of the CE mark.

Designs in conformity with non-European regulations, e.g. Canadian Standards Association (CSA), Underwriters Laboratories INC. (UL) or special requirements, e.g. the USA or Japan, are possible. Moreover, we also produce models for special operating conditions (e.g. exposure to humidity or dust).

The regular models have motor windings designed for continuous operation and connection to a mains voltage of 230/400 V ± 10%, 50 Hz in accordance with IEC 38/5.87.

On request the motors can be customized to all common mains values.

	Standard	Options
Degree of protection (DIN EN 60034-5/4.88)	IP 54	IP 55
Insulation class	F,B	F
Ambient temperature (DIN EN 60034-1/02.99)	max. 40 °C	50 °C and higher
Relative humidity (DIN 50015)	max. 92 %	95 % and higher
Site altitude (DIN EN 60034-1/11.95)	< 1000 m above sea level	on request
Electrical parameters	230/400 V, 50 Hz 255/440 V, 60 Hz	on request
Mains operation	three-phase	single-phase AC
Number of poles	2-poles	4-poles
Terminal box		
- layout (DIN EN 12157)	layout 1	layout 2, 3 or 4
- material	high-impact plastic	light metal
- cable entry (DIN 40430/2.71)	PMS 4 C, 5 B, 6 C, 7 B: 2x M 16x1.5 PMS 9 C, 11 C, 17 C, 20 C: M 16x1.5 PMS 15 D, 20 D, 30 D, 38 D, 48 D: 2x M 25x1.5	on request
		industrial plug-in connector
Protective surface coating	synthetic-resin lacquer, color: RAL 9005 (black, matt)	Special finish on request
Special protection		Motor protection (thermistors in the winding/PTC); fan cowl with canopy.



Installation and operation

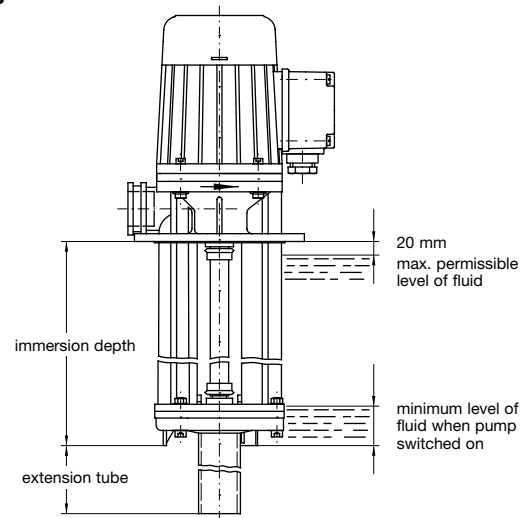
The unit is installed upright. The maximum permissible level of fluid amounts to 20 mm below the mounting flange (cf. following drawing).

Dry running is not permitted. Before startup, fill the pump with fluid for pumping. There is only limited support for short-term operation without such fluid during the feeding operation.

Operation against dead head is possible.

Direction of rotation: counterclockwise, as viewed looking down on the motor's ventilation side.

Options



Model with extension tube
if immersion depth deviates from standard.

Order example

PMS 7 B-350

Model _____

Size _____

Immersion depth t _____

Please indicate electrical parameters, e.g. 230/400 V, 50 Hz.

When ordering spare parts, always indicate the 10-place serial number (see motor rating plate).

Model	Characteristics																							
	Delivery rate Q [l/min] at delivery head H [m]																							
	1	2	3	4	5	6	7	8	9	10	11	12	13	14	15	16	17	18	19	20	21	22	23	
PMS4C	48	39	25	5																				
PMS5B	57	47	36	23	10																			
PMS6C	80	66	54	40	20	1																		
PMS7B	96	86	75	62	48	32	4																	
▶ PMS9C	270	256	236	211	186	161	124	85	37															
▶ PMS11C	280	264	247	230	206	181	157	127	95	64	20													
▶ PMS15D	400	380	355	340	320	290	265	245	220	180	140	100	50	15										
PMS17C 2-stage	228	224	213	202	191	180	169	159	148	137	126	114	110	88	75	58	39							
PMS20D 2-stage	258	254	244	234	225	215	204	192	179	166	154	140	126	111	96	80	64	46	28	8				
PMS20C 2-stage	190	186	179	173	167	158	148	139	130	120	111	101	91	81	72	61	50	37	24	11				
PMS30D 3-stage	260	248	242	236	230	224	217	210	204	197	190	182	175	167	160	150	142	133	125	115	105	95	85	
PMS38D 3-stage	221	218	212	208	205	201	197	192	188	183	179	174	170	164	161	154	149	144	138	134	127	122	116	
PMS48D 4-stage																					157 *)	153	149	144
PMS5BT	57	47	36	23	10																			
PMS6CT	87	77	64	50	33	13																		
PMS7BT	96	86	75	62	48	32	4																	

▶ Also available as “System Spandau” slurp model

PMS .. T pumps are suitable for fluid temperatures of -70 °C to +170 °C.

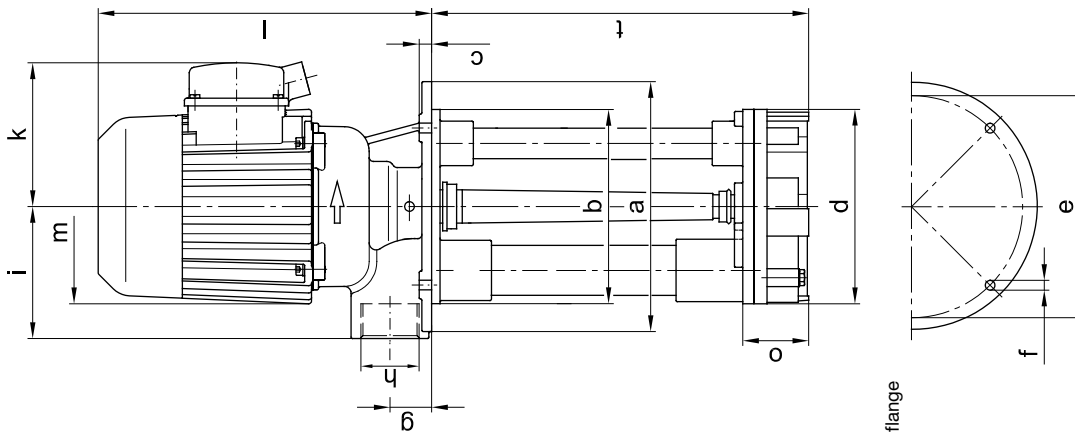
The data apply for fluids with viscosity of 1mm²/s at a density of 1 kg/dm³.

*) Pumps may only be operated at this level or higher.

Characteristics														Electrical data				
24	25	26	27	28	29	30	32	34	36	38	40	44	48	Rated power [kW]	Rated voltage Δ / Y [V]	Rated current Δ / Y [A]	Rated speed 50 Hz [rpm]	Noise level [dB(A)]
														0.08	230/400	0.42/0.24	2707	46
														0.12	230/400	0.5/0.29	2655	46
														0.14	230/400	0.78/0.45	2506	55
														0.2	230/400	0.93/0.54	2800	55
														0.75	230/400	2.72/1.57	2753	59
														0.75	230/400	2.72/1.57	2753	59
														1.5	230/400	5.7/3.3	2815	59
														0.75	230/400	3.46/2	2846	59
														1.5	230/400	5.7/3.3	2875	59
														0.9	230/400	3.86/2.23	2807	59
75	65	50	40	25	15									1.5	230/400	5.7/3.3	2815	65
110	104	98	90	84	76	70	55	38	16	1				2.2	230/400	8/4.6	2825	65
140	134	130	126	121	116	110	100	90	78	66	53	24	1	2.2	230/400	8/4.6	2730	65
														0.12	230/400	0.71/0.41	2637	46
														0.25	230/400	1.11/0.64	2701	55
														0.25	230/400	1.11/0.64	2701	55

Dimensions and Weights

Model	t [mm]	Weight [kg]	l	øm	øa	øb -0.2	c	ød	øe	øf	g	h	i	k ¹⁾	o	Air cooled motors																
PMS4C PMS5B	90	4.4	150	96	130	100	6	99	115	7	25	G¾	70	88	45	-																
	120																															
	140																															
	170																															
	200																															
	220																															
PMS6C	250	4.4	168	96	130	100	6	99	115	7	25	G¾	70	88	45	-																
	270																															
	350																															
	5																															
	PMS7B																90	6.3	162	120	130	100	6	99	115	7	25	G¾	70	98	45	-
																	120															
140																																
170																																
200																																
220																																
PMS9C PMS11C	250	13.2	241	140	180	140	9	140	160	7	30	G1¼	95	112	48	X																
	270																															
	350																															
	440																															
	550																															
	16.3																															



The standard models of aircooled motors are supplied without a protective cover. The motors can also be provided with a protective cover if necessary – the respective safety regulations and valid machine protection laws must be observed.
Dimension “i” is then increased approx. 31 mm.

Dimensions and Weights

Model	t mm	Weight [kg]	l	øm	øa	øb -0.2	c	ød	øe	øf	g	h	i	k	o
PMS5BT	120	6	168	96	130	100	6	99	115	7	25	G ^{3/4}	70	108	45
	170														
	220														
	270														
PMS6CT	350	7													
	270														
PMS7BT	120	9	180	120	130	100	6	99	115	7	25	G ^{3/4}	70	118	45
	170														
	220														
	250														
	270														
	350														

Dimensions and Weights

Model	t [mm]	Weight [kg]	l	øm	øa	øb -0.2	c	ød	øe	øf	g	h	i	k ¹⁾	o	Air cooled motors
PMS15D	210	23	291	176	180	140	9	140	160	7	32	G1¼	100	149	55	X
	240															
	280															
	320															
	360															
	560															
PMS17C	210	15.7	241	140	180	140	9	140	160	7	30	G1¼	95	112	88	X
	310															
	350															
	390															
	440															
	17															
PMS20D	270	24	291	176	180	140	9	140	160	7	32	G1¼	100	149	85	X
	310															
	350															
	390															
	480															
	27.5															
PMS20C	270	16.3	241	140	180	140	9	140	160	7	30	G1¼	95	112	88	X
	310															
	350															
	390															
	17.2															
PMS30D	280 ²⁾	26.5	291	176	180	140	9	140	160	7	32	G1¼	100	149	125	X
	310															
PMS38D	350	29	317													
	390															
	430															
	470															
PMS48D	350	29	317	176	180	140	9	140	160	7	32	G1¼	100	149	165	X
	390															
	430															
	470															

▲ Also available as "System Spandau" slurrp model.

Please note:
 All equipment may only be installed and/or assembled by qualified personnel.
 Observe existing safety regulations.
 To avoid errors please consult our operating instructions.

¹⁾ Terminal box dimensions are some 20 mm larger in the case of versions for CSA/USA requirements and higher insulation classes or when the free ends of thermistors are fed into the terminal boxes.

²⁾ Immersion depth 280 mm only with PMS38D.

The contents of this publication are the copyright of the publisher and may not be reproduced (even extracts) unless permission is granted. Every care has been taken to ensure the accuracy of the information contained in this publication but no liability can be accepted for any loss or damage whether direct, indirect or consequential arising out of use of the information contained herein.

SKF Lubrication Systems Germany AG
Product department Spandau Pumps
Motzener Strasse 35/37 · 12277 Berlin · Germany
PF 970444 · 12704 Berlin · Germany
Tel. +49 (0)30 72002-0 · Fax +49 (0)30 72002-261
www.spandaupumps.com

This brochure was presented by: