

## PRV – cool efficiency

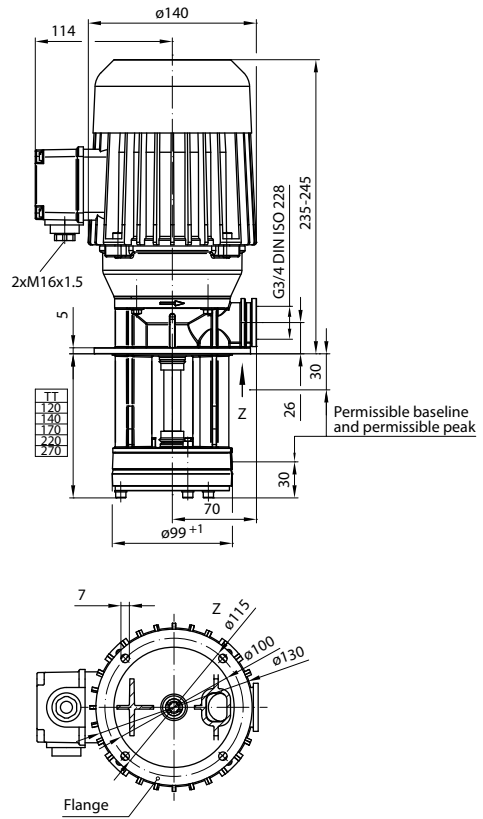
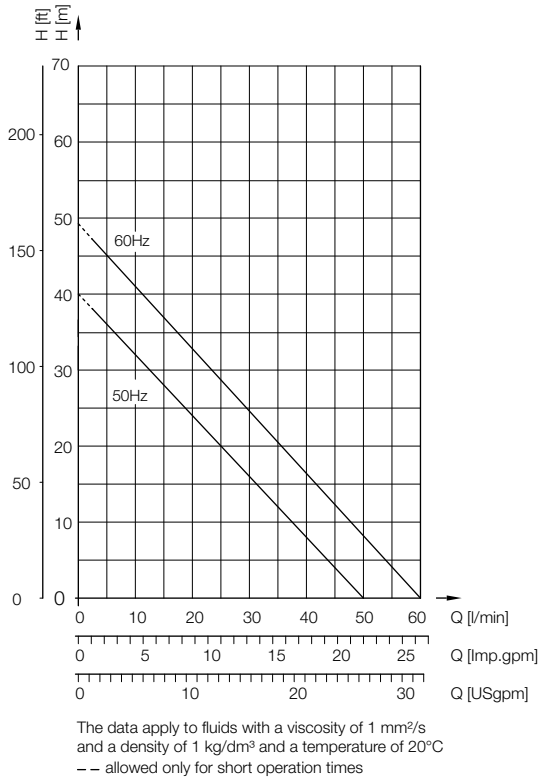


- Delivery rate  
 $Q_{\max} = 60 \text{ l/min}$
- Delivery head  
 $H_{\max} = 50 \text{ m}$
- Temperature range  
 $-20 \text{ }^{\circ}\text{C}$  to  $+70 \text{ }^{\circ}\text{C}$

- Sealless
- Impeller peripheral
- Little heat transfer into fluid
- High efficiency
- Small weight, compact design
- Immersion depths 120 to 270 mm

**Spandau  
pumpen®**

**Performance data PRV4001**



Electrical parameters						
Model	Motor size	Rated frequency [Hz]	Power rating [KW]	Rated voltage Δ/Y [V]	Rated current [A]	Rated speed [min <sup>-1</sup> ]
PRV4001	71	50	0,75	230/400	2,71/1,57	2780
		60	1	265/460	2,71/1,57	3240

**Mechanical design**

Components	Material
Pump support	POM
Pump shaft	stainless steel
	1.4122
Interm. chamber	POM
Impeller	PEI
Pump bottom	POM
Gap bush	POM

**Main applications**

- Chillers / Re-cooling systems
- Humidifiers and Air-conditioning units
- Welding and Laser technology
- Machine tools / Filter systems
- Medical equipment

**Fluids delivered**

- Water-Glycol mixture
- Water (distilled/ de-ionized)
- Water with chemical additives
- Lyes and acids
- Aqueous emulsions
- Silicone oils
- Futher fluids on request

This brochure was presented by:

SKF Lubrication Systems Germany AG  
 Product department Spandau Pumps  
 Motzener Strasse 35/37 · 12277 Berlin · Germany  
 PF 970444 · 12704 Berlin · Germany  
 Tel. +49 (0)30 72002-0 · Fax +49 (0)30 72002-261  
 www.spandaupumpen.com