

ASCO numatics™ **EXPRESS**



VALVES - SOLENOID VALVES PNEUMATIC COMPONENTS

Motorised/Pressure operated valves



4

Solenoid valves 2/2 - 3/2



9-23

Cylinders



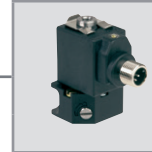
24

Magnetic position detectors



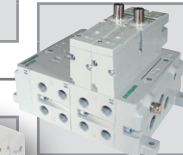
44

Solenoid pilot valves



47

Spool valves, poppet valves



51

Pneumatic valve islands



77

Proportional pneumatic control



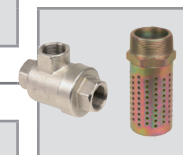
82

Air service equipment



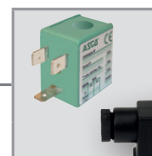
88

Pneumatic accessories



99

Connectors, coils



103

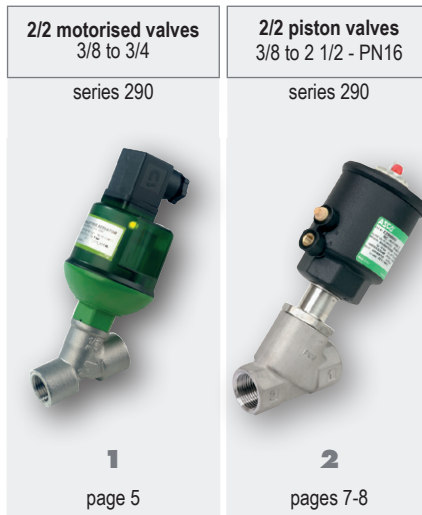
How to order

106

Index code/page

108

MOTORISED & PRESSURE OPERATED VALVES



YOUR SELECTION

pipe size							clamp connection			PN16 flanges		fluids			max. operating pressure differential bar	material		visual	series	page	
G							DN 15	DN 25	DN 40	DN 25	DN 50	air, inert gas, aggressive fluids	water, oil, aggressive liquids	steam		bronze	stainless steel				
3/8	1/2	3/4	1	1 1/4	1 1/2	2	2 1/2														
2/2 - entry under the disc - motorised valve																					
●	●	●											●	●	-	4 to 6	●		1	290	5
2/2 NC - entry under the disc																					
●													●	●	< 184°C	16		●	2	290	7
	●												●	●	< 184°C	16	●	●			
		●											●	●	< 184°C	16	●	●			
			●										●	●	< 184°C	10	●	●			
				●									●	●	< 184°C	12	●	●			
					●								●	●	< 184°C	8	●	●			
						●							●	●	< 184°C	10	●	●			
							●						●	●	< 184°C	6	●	●			
2/2 NC - entry above the disc																					
●													●		< 184°C	10		●	2	290	7
	●	●	●										●		< 184°C						
			●	●									●		< 184°C						
					●								●		< 184°C						
2/2 NO - entry under the disc																					
●													●	●	< 184°C	16		●	2	290	8
	●	●	●										●	●	< 184°C						
						●							●	●	< 184°C						

2/2 MOTORISED VALVES

290 series

stainless steel body G 3/8 to G 3/4

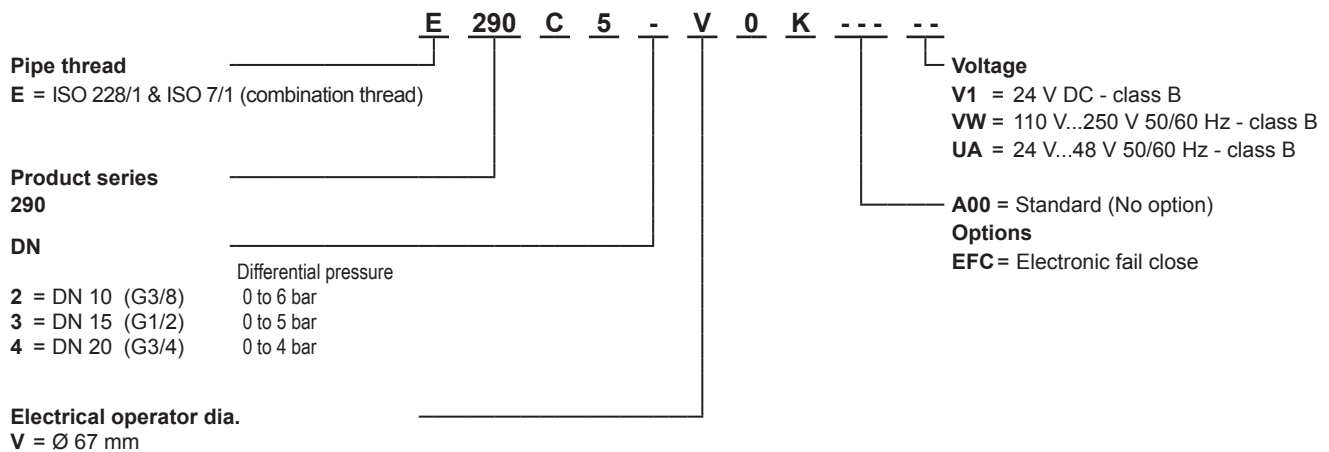


Fluids	air and gas groups 1 & 2, water, oil, liquids groups 1 & 2
Differential pressure	refer to selection table
Power consumption	12 W mean, 0 W hold Max. pic current: 0,7 A
Fluid temperature	-10°C to +90°C
Ambient temperature	-10°C to +50°C
Body	stainless steel, AISI 316L (operator Ø67)
Disc / stuffing box seal	NBR
Standard voltages	DC (=) 24V ±10 %, max. ripple 5%
	AC (-) 110V to 250V / 50-60 Hz 24V to 48V ±10 % / 50-60 Hz

- High flow due to angled seat design
- Anti-waterhammer design (fluid entry under the disc)
- Actuator rotatable through 360°
- Maintained or closed (see options) position of the valve in case of power failure
- Fluid isolation between electrical actuator and valve body
- LED visualisation through 360° (state of the valve)

YOUR SELECTION

15-DIGIT PRODUCT CODE



OPTIONS AND ACCESSORIES

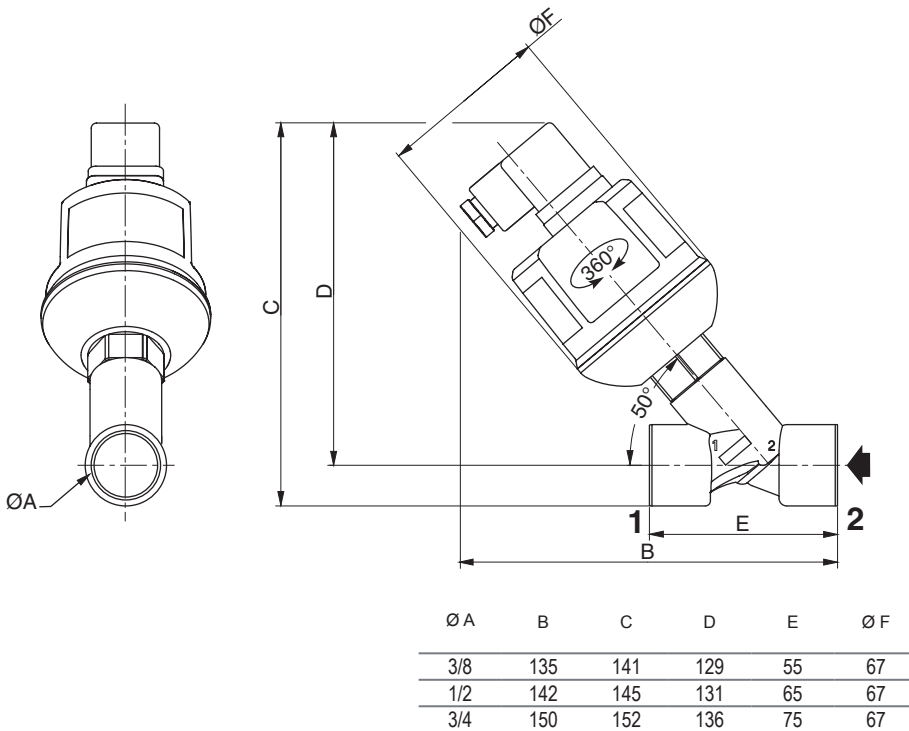
AC to DC adapter	
110V to 250V/50-60 Hz:	P290CA430078001
24V to 48V ±10 % /50-60 Hz:	P290CA438907001



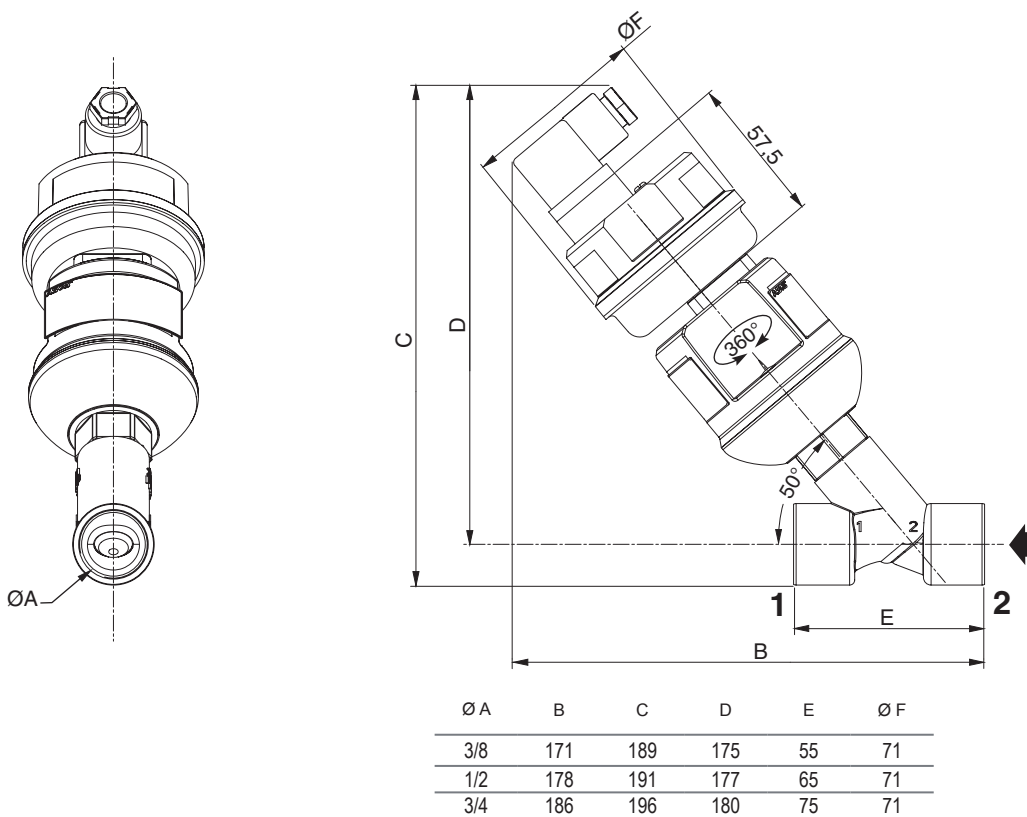
2/2 MOTORISED VALVES

DIMENSIONS

DC version



AC version



2/2 VALVES
290 series
PRESSURE OPERATED
piston-type
on/off
bronze body G 1/2 to G 2 1/2
stainless steel body G 3/8 to G 2 1/2



Fluids	air, inert gas, water, oil (<600cSt) superheated water, steam, aggressive fluids
Differential pressure	refer to selection table
Pilot pressure	refer to selection table
Allowable vacuum	10 ⁻² mbar
Fluid temperature	-10°C to +184°C
Ambient temperature	-10°C to +60°C (0°C to +60°C for proportional ones)
Body	stainless steel, AISI 316L (operator Ø32) bronze or stainless steel 316L (other operators)
Disc / stuffing box seal	PTFE

- Long service life without maintenance, up to 10 times more than a ball valve
- Anti-waterhammer design
- 30 to 50% less air consumption compared to a quarter-turn actuator
- Valve technology combining compact dimensions with high flow rates
- Proportional range with profiled disc equipped with a precise position controller

YOUR SELECTION (2/2 VALVES)

pipe size	orifice size	flow coefficient	pilot pressure		max. operating pressure differential			operator dia.	code		pilot valve series	
					min.	max.			bronze	stainless steel		
						air, inert gas, aggressive fluids	water, oil, liquids, aggressive liquids					steam ≤ 184°C
G	mm	m ³ /h	min.	max.				mm				
2/2 NC - entry under the disc												
3/8	10	2,8	4	10	0	16	16	10	32	-	E290A791	
		4,1	4	10	0	12	12	10	32	-	E290A792	
1/2	15	4,9	4	10	0	16	16	10	50	E290A384	E290A393	
		2,5	10	0	0	16	16	10	63	E290B002	E290B045	
		6,5	4	10	0	6	6	6	32	-	E290A793	
3/4	20	9,4	4	10	0	10	10	10	50	E290A385	E290A394	189/356
		4	10	0	0	16	16	10	63	E290B005	E290B048	
		2,5	10	0	0	12	12	10	63	E290B004	E290B047	
		12,8	4	10	0	6	6	6	50	E290A386	E290A395	
		4	10	0	0	10	10	10	63	E290B010	E290B053	
1	25	16,5	2,5	10	0	6	6	6	63	E290B008	E290B051	
		2,5	10	0	0	12	12	10	90	E290B009	E290B052	314/356
		4	10	0	0	16	16	10	90	E290B011	E290B054	
		4	10	0	0	6	6	6	63	E290A016	E290A059	189/356
1 1/4	32	27	4	10	0	12	12	10	90	E290A017	E290A060	314/356
		2,5	10	0	0	3	3	3	63	E290A014	-	189/356
		2,5	10	0	0	7	7	7	90	E290A015	E290A058	314/356
		4	10	0	0	4	4	4	63	E290A020	E290A063	189/356
1 1/2	40	45	4	10	0	8	8	8	90	E290A021	E290A064	
		2,5	10	0	0	4	4	4	90	E290A019	E290A062	314/356
		48	4	10	0	16	16	10	125	E290A482	-	
		4	10	0	0	2,5	2,5	2,5	63	E290A024	E290A067	189/356
2	50	59	4	10	0	6	6	6	90	E290A025	E290A068	
		66	4	10	0	10	10	10	125	E290A485	E290A498	
		59	2,5	10	0	2,5	2,5	2,5	90	E290A023	-	314/356
2 1/2	65	111	4	10	0	6	6	6	125	E290A488	E290A501	
		94	4	10	0	2	2	2	90	E290A487	E290A500	
2/2 NC - entry above the disc (version recommended for steam applications with high cycling rates)												
3/8	10	2,8	4,5	10	0	10	-	10	32	-	E290A797	
		4,1	4,5	10	0	10	-	10	32	-	E290A798	
1/2	15	4,9	3	10	0	10	-	10	50	E290A390	E290A399	
		6	10	0	0	10	-	10	63	E290B036	E290B079	189/356
		9,4	3	10	0	10	-	10	50	E290A391	E290A400	
3/4	20	6,5	4,5	10	0	10	-	10	32	-	E290A799	
		9,4	6	10	0	10	-	10	63	E290B037	E290B080	
		12,8	3	10	0	10	-	10	50	E290A392	E290A401	
1	25	16,5	2,5	10	0	10	-	10	63	E290B038	-	189/356
1 1/4	32	27	3	10	0	10	-	10	63	E290A039	-	189/356
1 1/2	40	45	2,5	10	0	10	-	10	63	E290A040	-	
		3	10	0	0	10	-	10	90	E290A043	-	314/356
		3	10	0	0	9	-	9	63	E290A042	E290A085	189/356
2	50	59	3	10	0	10	-	10	90	-	E290A086	314/356

2013/R01
Availability, design and specifications are subject to change without notice. All rights reserved.

2/2 PRESSURE OPERATED VALVES

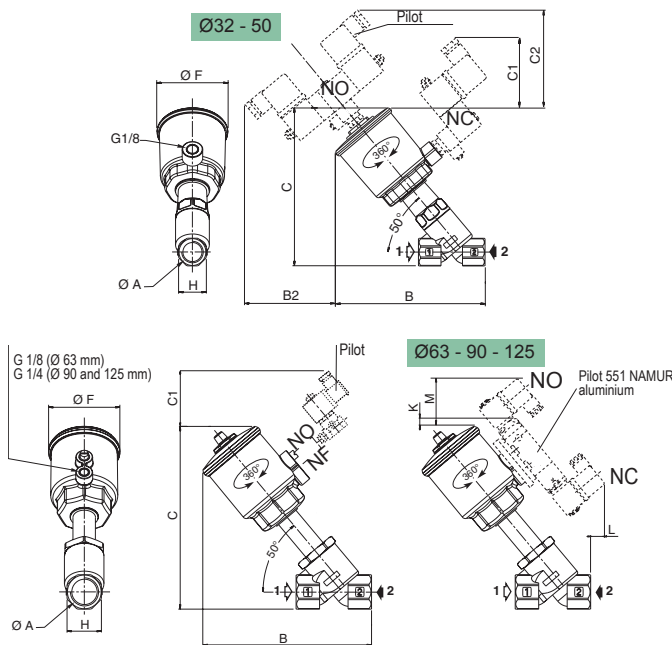
YOUR SELECTION (2/2 VALVES)

pipe size	orifice size	flow coefficient Kv m ³ /h	pilot pressure bar		max. operating pressure differential bar			operator dia. mm	code		pilot valve series
					min.	max.			bronze	stainless steel	
						air, inert gas, aggressive fluids	water, oil, liquids, aggressive liquids				
G	mm		min.	max.							
2/2 NO - entry under the disc											
3/8	10	2,8	1	10	0	16	16	10	32	-	E290A794
		4,1	1	10	0	16	16	10	32	-	E290A795
1/2	15	4,9	3	10	0	16	16	10	50	E290A387	-
		4,9	3	10	0	16	16	10	50	-	E290A396
		4,9	2	10	0	16	16	10	63	E290B026	E290B069
3/4	20	9,4	3	10	0	16	16	10	50	E290A388	E290A397
		6,5	2	10	0	16	16	10	32	-	E290A796
		9,4	2	10	0	16	16	10	63	E290B027	E290B070
1	25	16,5	2	10	0	16	16	10	63	E290B028	E290B071
		12,8	3	10	0	16	16	10	50	E290A389	E290A398
2	50	59	2	10	0	7	7	7	63	E290A034	-

valves with visual position indicator

pipe size	orifice size	flow coefficient Kv m ³ /h	pilot pressure bar		max. operating pressure differential bar			operator dia. mm	code		pilot valve series
					min.	max.			bronze	stainless steel	
						air, inert gas, aggressive fluids	water, oil, liquids, aggressive liquids				
G	mm		min.	max.							
2/2 NC - entry under the disc											
3/8	10	2,8	4	10	0	16	16	10	32	-	E290A791VI
1/2	15	4,1	4	10	0	12	12	10	32	-	E290A792VI
3/4	20	6,5	4	10	0	6	6	6	32	-	E290A793VI

DIMENSIONS



operator dia.	ØA	B	B2	C1 pilot		C2 pilot		C	D	E	ØF	H	
				189	356	189	356						
32	3/8	92	83	77	63	100	88	93	81,5	55	43,5	23,5	
	1/2	99	83	77	63	100	88	97	83,5	65	43,5	28	
	3/4	107	83	77	63	100	88	104,5	88,5	75	43,5	30	
50	1/2	142	72	65	54	81	78	154,5	141	65	69	27	
	3/4	150,5	72	65	54	81	78	159	143	75	69	32	
	1	155	72	65	54	81	78	165	145	90	69	41	
operator dia.	ØA	B	C	C1 (NC) pilot		C1 (NO) pilot		E	ØF	H	K	L	M
				189	356	189	356						
63	1/2	170	182	51	39	60	57	65	85	27	7	42	66
	3/4	175	185	51	39	60	57	75	85	32	7	42	66
	1	179	192	51	39	60	57	90	85	41	7	42	66
	1 1/4	217	229	51	39	60	57	110	85	50	7	42	66
	1 1/2	224	245	51	39	60	57	120	85	60	7	42	66
90	2	249	259	51	39	60	57	150	85	70	7	42	66
	1	197	209	71	72	91	91	90	118	41	2	16	59
	1 1/4	236	246	71	72	91	91	110	118	50	2	16	59
	1 1/2	243	262	71	72	91	91	120	118	60	2	6	59
	2	267	276	71	72	91	91	150	118	70	2	-	59
125	2 1/2	299	300	71	72	91	91	190	118	86	2	-	59
	1 1/2	291	313,5	71	72	91	91	120	156	60	-	-	22
	2	315	328	71	72	91	91	150	156	70	-	-	22
2 1/2	347	352	71	72	91	91	190	156	86	-	-	22	

OPTIONS AND ACCESSORIES

operator dia.	description	code	standard voltages (V)					
			AC (~) / 50Hz			DC (=)		
			24	48	115	230	24	48
3/2 solenoid pilot valve								
32-50-63 mm	pilot 189 (G 1/8 - 3,5VA / 3W) - Ø 4 mm O.D.	18900032	✓	✓	✓	✓	✓	
	pilot 356 (G 1/8 - 6VA / 5,5W) brass body	SCG356B053VMS	✓	✓	✓	✓	✓	
90-125 mm	pilot 314 Ø2,4 mm (G 1/4 - 23VA / 11,2W) brass body	E314K143S1N01 (1)	FL	FR	FT	F8	F1 F9	

(1) Ordering example: add the 2 digits for the voltage at the end of the 15-digit code: E314K143S1N01F1 (24V DC)

2/2 SOLENOID VALVES

2/2 solenoid valves
direct operated
1/8 - 1/4

series 256 series 262 series 263

1 **2** **3**

pages 10-11

2/2 solenoid valves
direct operated, 1/4 - 3/8
for cryogenic service

series 263LT

4

page 11

2/2 solenoid valves
direct operated
3/8 to 1

series 287

5

page 18

2/2 solenoid valves
pilot operated
3/8 to 2

series 210 series 238

6 **7**

pages 12-13

2/2 solenoid valves
pilot operated, 1/2 and 1
for hot water and steam applications

series 220

8

page 14

2/2 solenoid valves
pilot operated, 1/2
for cryogenic service

series 222LT

9

page 14

YOUR SELECTION

pipe size									fluids					operating pressure differential bar		(M)	visual	series	page						
1/8	1/4	3/8	1/2	3/4	1	1 1/4	1 1/2	2	steam/hot water	cryogenic fluids	air/gas	water	oil	min.	max.										
2/2 NC - brass body																									
●	●										●	●	●	0	28	●	1	256	10						
●	●										●	●	●	0	40	● - X	2	262	10						
											●	●	●	0	14	X	3	263	10						
											●	●	●	0	9	X	6	210	12						
											●	●	●	0	10	X	7	238	12						
											●	●	●	0,35	14	X	6	210	13						
											●	●		0,3/0,5	16	● - X	7	238	13						
	●	●									●	●		0	7	X	4	263LT	11						
				●	●				●					0/0,3	3-9/10	X	8	220	14						
				●						●				0	9	X	9	222LT	14						
2/2 NC - brass body - coaxial																									
			●	●							●	●	●	0	40		5	287	18						
2/2 NC - stainless steel body																									
●											●	●	●	0	12	●	1	256	11						
	●										●	●	●	0	40	●	2	262	11						
		●									●	●	●	0	14	●	3	263	11						
2/2 NO - brass body																									
	●										●	●	●	0	18	X	2	262	10						
			●	●							●	●	●	0	9	X	6	210	12						
3/2 NO - NC - U: see following pages																									

(M) manual operator X : without ● : with

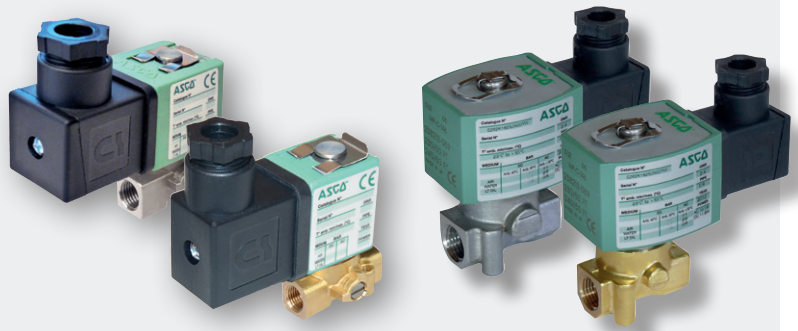
2013/R02 Availability, design and specifications are subject to change without notice. All rights reserved.

2/2 SOLENOID VALVES

direct operated
brass body, 1/8 - 1/4 - 3/8
stainless steel body, 1/8 - 1/4 - 3/8

CRYOGENIC SERVICE

brass body, 1/4 - 3/8



	series 256	series 262	series 263	series 263LT
Fluids	air, inert gas, water, oil			cryogenic fluids
Differential pressure	refer to selection table			
Fluid temperature (TS)	-10°C to +100°C	-25°C to +80°C	-25°C to +80°C	-25°C to +80°C
Ambient temperature (TS)	-10°C to +60°C	-25°C to +55°C	-25°C to +55°C	-20°C to +75°C -20°C to +50°C (SCE263B206LT)
Body	brass / SS			SS
Sealings	FPM	NBR (nitrile) or FPM (V00) or EPDM (E00)	NBR (nitrile)	Lead-clap copper
Standard voltages	DC (=) AC (~)	24 - 48V 24 - 48 - 115 - 230V / 50Hz		-

- Quick installation due to reduced dimensions
- Long service life in outdoor applications
- AC/DC Interchangeability of the solenoid (series 256)
- Easy to override using the manual operator
- The 263LT series will withstand the severe service encountered in controlling cryogenic fluids, such as liquid oxygen (-183°C), liquid argon (-186°C) and liquid nitrogen (-196°C)

YOUR SELECTION

pipe size	orifice size	flow coefficient Kv	operating pressure differential bar						power		(M)	connector	code G = ISO 228; E = Rp ISO 7/1; B = NPT	standard voltages (V)						
			min.	max.			~	=	W	W				AC (~) / 50Hz			DC (=)			
				air	water	oil								24	48	115	230	24	48	
2/2 NC - brass body																				
1/8	1,2	0,05	0	28	20	28	20	28	20	4	6,9	●	size 22 (1)	SCG256B001VMS	✓		✓	✓		
	1,6	0,08	0	20	12	20	12	20	12	4	6,9	●		SCG256B002VMS	✓	✓	✓	✓		
	2,0	0,11	0	15	6	15	6	15	6	4	6,9	●		SCG256B003VMS	✓	✓	✓	✓		
	2,4	0,13	0	12	4	12	4	12	4	4	6,9	●		SCG256B004VMS	✓	✓	✓	✓		
1/4	1,6	0,08	0	20	12	20	12	20	12	4	6,9	●	size 22 (1)	SCG256B402VMS	✓	✓	✓	✓		
	1,6	0,08	0	20	15	20	15	20	15	5	6,9	●		SCG256B466VMS				✓		
	2,4	0,16	0	12	4	12	4	12	4	4	6,9	●		SCG256B404VMS	✓	✓	✓	✓		
	2,4	0,16	0	15	8	15	8	15	8	5	6,9	●		SCG256B470VMS	✓			✓		
15-DIGIT PRODUCT CODE (3)																				
1/8	3,2	0,3	0	12	8	12	6,5	8	6	8,1	10,6	×	size 30 (2)	G262K002S1N00	FL	FR	FT	F8	H1	H9
	2,4	0,18	0	25	14	22	10	11	10	8,1	10,6	×		E262K020S1N00	FL	FR	FT	F8	H1	H9
	2,4	0,18	0	40	16	28	16	28	15	10,1	11,6	×		E262K108S1N00	FL	FR	FT	F8	H1	H9
	3,2	0,3	0	12	8	12	6,5	6	5,5	8,1	10,6	×		E262K022S1N00	FL	FR	FT	F8	H1	H9
	3,2	0,3	0	12	8	12	6,5	6	5,5	8,1	10,6	×		E262K022S1V00	FL	FR	FT	F8	H1	H9
	3,2	0,3	0	18	10	17	8	10	7,5	11,1	18,6	×		E262K023S1N00	FL	FR	FT	F8	H1	H9
	4	0,45	0	14	3,5	13	3,5	10	3,5	10,1	11,6	×		E262K202S1N00	FL	FR	FT	F8	H1	H9
	3,2	0,3	0	23	7,5	20	7	14	6,5	10,1	11,6	×		E262K232S1N00	FL	FR	FT	F8	H1	H9
	3,2	0,3	0	23	7,5	20	7	14	6,5	10,1	11,6	●		E262K232S1N01	FL	FR	FT	F8	H1	H9
	7,1	0,76	0	2	1,6	2	1,5	2	1,3	8,1	10,6	×		E262K090S1N00	FL	FR	FT	F8	H1	H9
1/4	2,4	0,18	0	40	16	28	16	28	15	10,1	11,6	●	size 30 (2)	E262K108S1N01	FL	FR	FT	F8	H1	H9
	4	0,45	0	14	3,5	13	3,5	10	3,5	10,1	11,6	●		E262K202S1N01	FL	FR	FT	F8	H1	H9
	5,6	0,63	0	6,5	2	6,5	2	6,5	2	10,1	11,6	×		E262K208S1N00	FL	FR	FT	F8	H1	H9
	5,6	0,63	0	6,5	2	6,5	2	6,5	2	10,1	11,6	●		E262K208S1N01	FL	FR	FT	F8	H1	H9
	5,6	0,63	0	6,5	2	6,5	2	6,5	2	10,1	11,6	×		E262K208S1E00	FL	FR	FT	F8	H1	H9
	7,1	0,76	0	6	3	6	3	6	3	17,1	22,6	×		E262K212S1N00	FL	FR	FT	F8	H1	H9
	4	0,45	0	14	3,5	12	3,5	6,5	3	10,1	11,6	×		E263K200S1N01	FL	FR	FT	F8	H1	H9
	5,6	0,63	0	6,5	2	5,5	2	4,5	2	10,1	11,6	×		E263K124S1N01	FL	FR	FT	F8	H1	H9
	15-DIGIT PRODUCT CODE (3)																			
	2/2 NO - brass body																			
1/4	2,4	0,18	0	18	11	15	9	12	6,5	10,1	11,6	×	size 30 (2)	E262K261S1N00	FL	FR	FT	F8	H1	H9
	3,2	0,3	0	11	6,5	10	6,5	8,5	4,5	10,1	11,6	×		E262K262S1N00	FL	FR	FT	F8	H1	H9

(M) Manual operator × without ● : with

(1) DIN 43650, 11 mm, industry standard B

(2) ISO 4400 / EN 175301-803, form A

(3) Ordering example: add the 2 digits for the voltage at the end of the 15-digit code: E262K020S1N00H1 (24V DC)

Other type of connectors available:

. Connector with LED and electrical protection, change S1 to S2 on positions 9 and 10 of the code: Ordering example: E262K020S2N00H1

. Connector with LED and protection by Transil + 5 m lead, change S1 to S3 on positions 9 and 10 of the code: Ordering example: E262K020S3N00H1

. Connector with LED and protection by Transil + 5 m CNOMO lead resistant to cutting fluid, change S1 to S4 on positions 9 and 10 of the code: Ordering example: E262K020S4N00H1

2/2 SOLENOID VALVES

YOUR SELECTION

pipe size	orifice size	flow coefficient Kv m³/h	operating pressure differential (bar)						power		(M)	connector	code G = ISO 228; E = Rp ISO 7/1; B = NPT	standard voltages (V)						
			min.	max.			~	=	AC (~) / 50Hz					DC (=)						
				air	water	oil			~	=				24	48	115	230	24	48	
2/2 NC - stainless steel body																				
1/8	2,4	0,13	0	12	4	12	4	12	4	4	6,9	●	size 22 (1)	SCG256B016VMS	✓	✓	✓	✓	✓	
													15-DIGIT PRODUCT CODE (3)							
1/4	2,4	0,18	0	40	16	28	16	28	15	10,1	11,6	●	size 30 (2)	E262K182S1N01	FL	FR	FT	F8	H1	H9
	3,2	0,3	0	23	7,5	20	7	14	6,5	10,1	11,6	●		E262K184S1N01	FL	FR	FT	F8	H1	H9
3/8	4	0,45	0	14	3,5	12	3,5	6,5	3	10,1	11,6	●	size 30 (2)	E263K331S1N01	FL	FR	FT	F8	H1	H9
	5,6	0,63	0	6,5	2	5,5	2	4,5	2	10,1	11,6	●		E263K195S1N01	FL	FR	FT	F8	H1	H9

(3) Ordering example : add the 2 digits for the voltage at the end of the 15-digit code: E262K182S1N01H1 (24V DC)

for cryogenic service

pipe size	orifice size	flow coefficient Kv m³/h	operating pressure differential (bar)						power		(M)	connector	code G = ISO 228; E = Rp ISO 7/1; B = NPT	standard voltages (V)					
			min.	cryogenic fluids			~	=	AC (~) / 50Hz					DC (=)					
				~	=				~	=				24	48	115	230	24	48
2/2 NC - brass body																			
1/4	7,1	0,6	0	3	-	-	-	10,5	-	×		SCE263-209LT	✓	✓	✓	✓	✓		
3/8	7,1	0,6	0	3	-	-	-	10,5	-	×		SCE263A210LT	✓	✓	✓	✓	✓		
	5,6	0,48	0	7	-	-	-	16,7	-	×		SCE263B206LT	✓	✓	✓	✓	✓		

(M) Manual operator × : without ● : with

(1) DIN 43650, 11 mm, industry standard B

(2) ISO 4400 / EN 175301-803, form A

(3) Ordering example: add the 2 digits for the voltage at the end of the 15-digit code: E262K182S1N01H1 (24V DC)

Other type of connectors available:

. Connector with LED and electrical protection, change S1 to S2 on positions 9 and 10 of the code: Ordering example: E262K182S2N01H1

. Connector with LED and protection by Transil + 5 m lead, change S1 to S3 on positions 9 and 10 of the code: Ordering example: E262K182S3N01H1

. Connector with LED and protection by Transil + 5 m CNOMO lead resistant to cutting fluid, change S1 to S4 on positions 9 and 10 of the code: Ordering example: E262K182S4N01H1

DIMENSIONS

(See page 17)

OPTIONS AND ACCESSORIES

Connector with integrated electrical indication and protection or cable of 2m (see page 103)

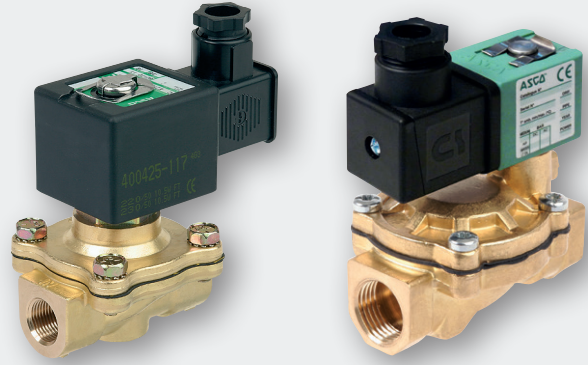


Replacement coils (see page 104)



2/2 SOLENOID VALVES

pilot operated
brass body, 3/8 to 2



	series 210	series 238
Fluids	air, inert gas, water, oil	air, inert gas, water
Differential pressure	refer to selection table	
Fluid temperature (TS)	-20°C to +85°C	-10°C to +85°C
Ambient temperature (TS)	-20°C to +75°C -20°C to +50°C (DC (=): G1, G1 1/4, G 1 1/2)	-10°C to +60°C
Body	brass	
Sealings	NBR (nitrile) or FPM (suffix V) or EPDM (suffix E)	
Standard voltages	DC (=) AC (~)	24 - 48V 24 - 48 - 115 - 230V / 50Hz

- Zero bar minimum operating pressure (series 210)
- Long service life for outdoor applications
- Low power consumption (series 238)
- Wide range of flow rates (2,4 to 34 m³/h)
- AC/DC Interchangeability of the solenoid (series 238)

YOUR SELECTION

pipe size	orifice size mm	flow coefficient Kv m³/h	operating pressure differential bar						power		(M)	connector	code G = ISO 228; E = Rp ISO 7/1; B = NPT	standard voltages (V)					
			min. bar	max. (PS)				~ W	= W	AC (~) / 50Hz				DC (=)					
				air/water ~ =	oil ~ =	~	=			24				48	115	230	24	48	
2/2 NC - Min. pressure 0 bar (hung diaphragm)																			
3/8	16	2,6	0	9	3	-	-	10,5	11,2	×	size 30 (2)	SCE210C093	✓	✓	✓	✓	✓		
	12,5	2,1	0	10	10	-	-	6	15,3	×		SCG238A044	✓			✓	✓		
1/2	12,5	2,1	0	10	10	-	-	6	15,3	×		SCG238A046	✓			✓	✓		
	19	4,2	0	10	10	-	-	6	15,3	×		SCG238A047	✓			✓	✓		
3/4	16	3,4	0	9	3	-	-	10,5	11,2	×		SCE210C094	✓	✓	✓	✓	✓		
	19	4,3	0	9	3	-	-	10,5	11,2	×		SCE210D095	✓	✓	✓	✓	✓		
1	19	4,5	0	10	10	-	-	6	15,3	×		SCG238A048	✓	✓		✓	✓		
	25	11,1	0	9	6	9	6	15,4	23	×		SCE210B154	✓	✓	✓	✓	✓		
1 1/4	28	12,8	0	10	10	-	-	9	15,3	×		SCG238A050	✓			✓	✓		
1 1/2	32	19,3	0	9	5	9	5	15,4	23	×		SCE210B155	✓	✓	✓	✓	✓		
1 1/2	32	19,3	0	9	5	9	5	15,4	23	×		SCE210B156	✓	✓	✓	✓	✓		
2/2 NO - Min. pressure 0 bar (hung diaphragm)																			
3/8	16	2,6	0	9	9	9	5	10,5	11,2	×	size 30 (2)	SCE210C033	✓	✓	✓	✓			
1/2	16	3,4	0	9	9	9	5	10,5	11,2	×		SCE210C034	✓	✓	✓	✓	✓		
3/4	19	4,7	0	9	9	9	5	10,5	11,2	×		SCE210C035	✓	✓	✓	✓	✓		

(M) Manual operator

× : without ● : with

(2) ISO 4400 / EN 175301-803, form A

2/2 SOLENOID VALVES

YOUR SELECTION

pipe size	orifice size mm	flow coefficient Kv m ³ /h	operating pressure differential bar				power		(M)	connector	code G = ISO 228; E = Rp ISO 7/1; B = NPT	standard voltages (V)					
			min. bar	max. (PS)		~ W	= W	AC (~) / 50Hz				DC (=)					
				air/water	oil			24				48	115	230	24	48	
2/2 NC - Min. pressure 0,35 bar (floating diaphragm)																	
3/8	16	2,6	0,35	14/10	9/7	10	7	6	11,2	×	SCE210D001	✓		✓	✓		
1/2	16	3,4	0,35	14/10	9/7	10	7	6	11,2	×	SCE210D002	✓		✓	✓	✓	
3/4	19	4,3	0,35	9/9	7/6	8	5	6	11,2	×	SCE210D009	✓		✓			
1	25	11,1	0,35	9/6	9/9	9	9	6	11,2	×	SCE210D004			✓	✓		
1 1/2	32	19,3	0,35	9	9	9	9	6	11,2	×	SCE210D022	✓		✓			
2	44	37	0,35	9	3	6	3	9	15,3	×	SCE210-100	✓		✓			
2/2 NC - Min. pressure 0,3/0,5 bar (floating diaphragm)																	
3/8	12	2,4	0,3	10	10	-	-	4	6,9	×	SCE238D001	✓	✓	✓	✓		
		2,4	0,3	10	10	-	-	4	6,9	●	SCE238D001MO		✓				
		2,4	0,3	16	16	-	-	5	6,9	×	SCE238D006				✓		
		2,4	0,3	16	16	-	-	5	6,9	●	SCE238D006MO				✓		
1/2	12	2,4	0,3	10	10	-	-	4	6,9	×	SCE238D002	✓		✓	✓		
		2,4	0,3	10	10	-	-	4	6,9	●	SCE238D002MO			✓			
		2,4	0,3	16	16	-	-	5	6,9	×	SCE238D007				✓		
		2,4	0,3	16	16	-	-	5	6,9	●	SCE238D007MO				✓		
1/2	15	4,2	0,3	10	10	-	-	4	6,9	×	SCE238D003	✓	✓	✓	✓	✓	
		4,2	0,3	10	10	-	-	4	6,9	●	SCE238D003MO	✓		✓	✓	✓	
		4,2	0,3	16	16	-	-	5	6,9	×	SCE238D008		✓		✓		
		4,2	0,3	16	16	-	-	5	6,9	●	SCE238D008MO				✓		
3/4	20	6,6	0,3	10	10	-	-	4	6,9	×	SCE238D004	✓		✓	✓		
		6,6	0,3	10	10	-	-	4	6,9	●	SCE238D004MO			✓	✓	✓	
		6,6	0,3	16	16	-	-	5	6,9	×	SCE238D009				✓		
		6,6	0,3	16	16	-	-	5	6,9	●	SCE238D009MO				✓		
1	25	9,9	0,3	10	10	-	-	4	6,9	×	SCE238D005	✓		✓	✓	✓	
		9,9	0,3	10	10	-	-	4	6,9	●	SCE238D005MO			✓	✓		
		9,9	0,3	16	16	-	-	5	6,9	×	SCE238D010				✓		
1 1/4	30	15	0,5	10	10	-	-	8	9	×	SCG238D016			✓	✓		
1 1/2	45	27	0,5	10	10	-	-	8	9	×	SCG238D017			✓	✓		
		27	0,5	10	10	-	-	8	9	●	SCG238D017MO			✓	✓		
2	45	34	0,5	10	10	-	-	8	9	×	SCG238D018			✓	✓		

(M) Manual operator × : without ● : with (2) ISO 4400 / EN 175301-803, form A

DIMENSIONS

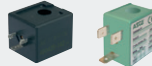
(See page 18)

OPTIONS AND ACCESSORIES

Connector with integrated electrical indication and protection or cable of 2m (see page 103)



Replacement coils (see page 104)



Other seal materials FPM, EPDM, CR

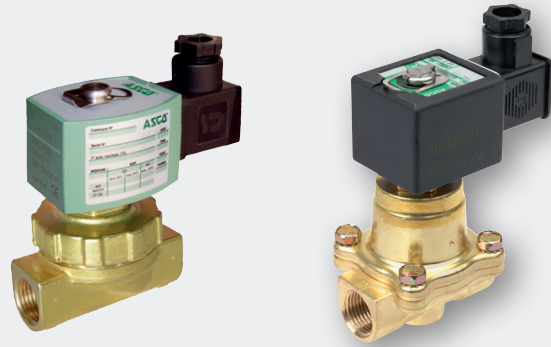
Stainless steel body (series 210)



2/2 SOLENOID VALVES

pilot operated
HOT WATER/STEAM SERVICE
brass body, 1/2 - 3/4

CRYOGENIC SERVICE
brass body, 1/2



	series 220			series 222LT
Fluids	hot water	steam		cryogenic fluids
Differential pressure	refer to selection table			
Fluid temperature (TS)	-20°C to +98°C	-20°C to +147°C (class F)	-20°C to +177°C (class H)	-196°C to +90°C
Ambient temperature (TS)	0°C to +52°C (class F) 0°C to +60°C (class H)	0°C to +52°C	0°C to +60°C	-20°C to +50°C
Body	brass			
Sealings	PTFE			PTFE - reinforced
Standard voltages AC (~)	24 - 48 - 115 - 230V / 50 Hz-			24 - 230V / 50 Hz-

- Handles high temperature fluids
- Small compact sized valves particularly designed for hot water and steam applications
- PTFE discs plus high temperature coils help provide a long and reliable service life
- The 222LT series will withstand the severe service encountered in controlling cryogenic fluids, such as liquid oxygen (-183°C), liquid argon (-186°C) and liquid nitrogen (-196°C)

YOUR SELECTION

pipe size	orifice size	flow coefficient Kv	operating pressure differential bar						power		(M)	connector	code G=ISO-228; E=Rp ISO-7	standard voltages (V)					
			min.	max. (PS)				~	=	AC (~) / 50Hz				DC (=)					
				steam	water	cryogenic fluids	W			W				24	48	115	230	24	48
mm	m³/h	bar	~	=	~	=	~	W	W										

2/2 NC - brass body - for hot water/steam service

											15-DIGIT PRODUCT CODE (3)						
1/2	12,7	3,8	0	3	-	10	-	-	10,1	-	×	size 30	E220K405S1T00	FL	FR	FT	F8
			0,3	9	-	10	-	-	10,1	-	×		E220K406S1T00	HL	HR	HT	H8
3/4	19	7,5	0	3	-	10	-	-	10,1	-	×	(2)	E220K408S1T00	FL	FR	FT	F8
			0,3	9	-	10	-	-	10,1	-	×		E220K409S1T00	HL	HR	HT	H8

(3) Ordering example : add the 2 digits for the voltage at the end of the 15-digit code: E220K405S1T00FL (24V AC)

2/2 NC - brass body - for cryogenic service

1/2	16	3,3	0	-	-	-	-	9	16,7	-	×	size 30 (2)	SCE222E002LT	✓		✓
-----	----	-----	---	---	---	---	---	---	------	---	---	----------------	---------------------	---	--	---

(M) Manual operator × without

(2) ISO 4400 / EN 175301-803, form A

DIMENSIONS

(See page 17)

OPTIONS AND ACCESSORIES

Connector with integrated electrical indication and protection or cable of 2m (see page 103)



Replacement coils (see page 104)



Use suffix MB to order incl. mounting bracket, only for series 222.

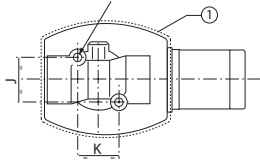
2/2 SOLENOID VALVES

DIMENSIONS

2/2 Solenoid valves, direct operated, series 256 - 262 - 263

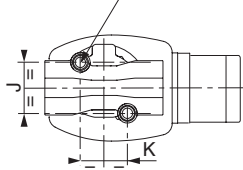
bottom view
(series 262)

2 mounting holes M5
dia., depth 7,5 mm

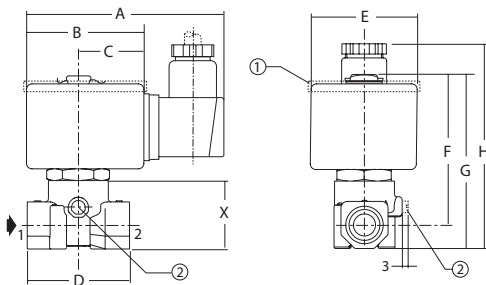


bottom view
(series 263)

2 mounting holes M5
dia., depth 6 mm.



series 262-263

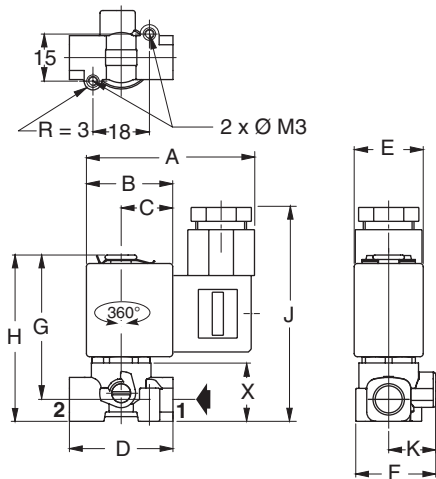


code	A	B	C	D	E	F	G	H	J	K	X
SCG256B001VMS											
SCG256B002VMS											
SCG256B003VMS											
SCG256B004VMS	57,5	27,5	16,5	33	22	46	53	69	15	18	18,6
SCG256B016VMS											
SCG256B402VMS											
SCG256B404VMS											
SCG256B466VMS											
SCG256B470VMS	73	38	23,3	40	29,7	48	57	78,5	21	18	23,4
E262K020S1N00											
E262K022S1N00	95	57	33	40	43	65	75	92	22	22	30
E262K022S1V00											
E262K023S1N00											
E262K108S1N00											
E262K202S1N00	95	57	33	40	50	69	78	96	22	22	30
E262K232S1N00											
E262K232S1N01											
E262K090S1N00	95	57	33	40	43	65	75	92	22	22	30
E262K108S1N01											
E262K202S1N01											
E262K208S1N00											
E262K208S1N01	95	57	33	40	50	69	78	96	22	22	30
E262K208S1E00											
E262K208S1E00											
E262K212S1N00											
E262K261S1N00	96	59	34	40	52	69	78	96	22	22	30
E262K262S1N00											
E262K182S1N01	95	57	33	40	50	69	78	96	22	22	30
E262K184S1N01											
E263K200S1N01											
E263K124S1N01	95	57	33	48	50	69	80	107	20,5	19	32
E263K331S1N01											
E263K195S1N01											
SCE263-209LT											
SCE263A210LT											
SCE263B206LT											

- ① NO version only.
- ② Manual operator location.

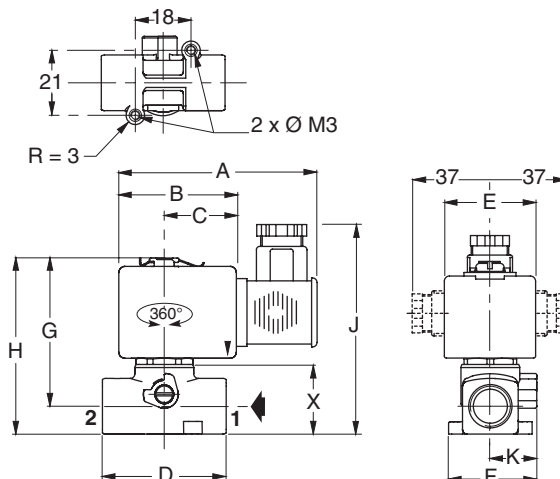
➔ flow direction

256 NC 1/8



➔ flow direction

256 NC 1/4

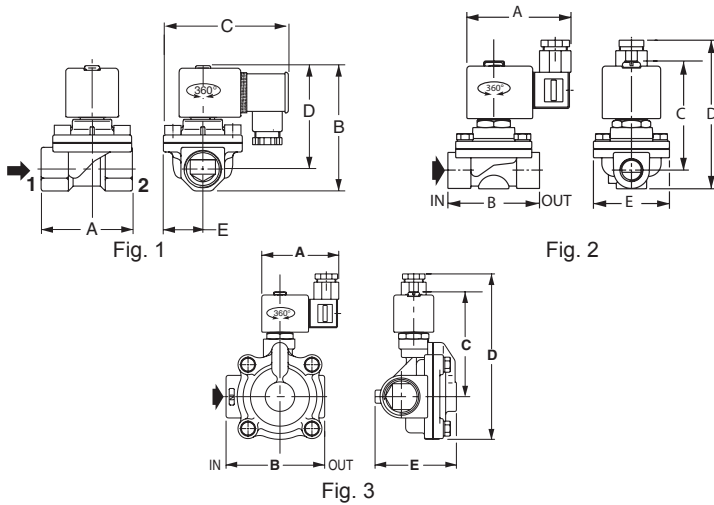


2/2 SOLENOID VALVES

DIMENSIONS

2/2 Solenoid valves, pilot operated series 210 - 238

series 210

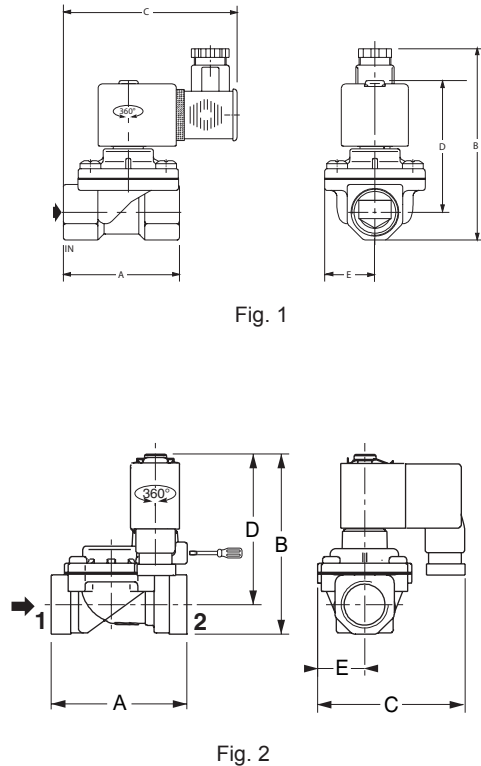


code	A	B	C	D	E	(C)
SCE210C093						
SCE210C094	70	97	89	80	29	
SCE210D095						
SCE210B154	95	129	104,5	112	41,5	Fig. 1
SCE210B155	95	143	104,5	112	41,5	
SCE210B156	111	153	112,5	125	49,5	
SCE210C033	70	108	89	98	29	
SCE210C034						
SCE210C035	70	117	89	102	29	
SCE210D001	70	103	75	72	29	Fig. 2
SCE210D002	70	103	75	72	29	
SCE210D009	71	109	75	76	29	
SCE210D004	80	111	109	174	100	Fig. 3
SCE210D022	80	111	109	174	100	
SCE210-100 (AC)	75	129	116	203	120	

(C) Construction type

➔ flow direction

series 238



code	A	B	C	D	E	(C)
SCG238A044	52	104	91,5	72	18,5	Fig. 1
SCG238A046	52	104	91,5	72	18,5	
SCG238A047	65	106	107	74	29	
SCG238A048	67	111	109	76	29	
SCG238A049	86	131	117,5	92	36,5	
SCE238D001						
SCE238D001(MO)	62	82	71	69	22	Fig. 2
SCE238D002						
SCE238D002(MO)						
SCE238D003	82	85	78	71	29	
SCE238D003(MO)						
SCE238D004	95	96	83	80	34	
SCE238D004(MO)						
SCE238D005	106	105	93	85	44	
SCE238D005(MO)						
SCE238D006	62	83	61,5	70	22	
SCE238D006(MO)						
SCE238D007						
SCE238D008	82	86	77,5	72	29	
SCE238D008(MO)						
SCE238D009	95	97	89,5	81	34	
SCE238D010	106	106	97	86	44	
SCG238D016	113	134	97	108	40,5	
SCG238D017	140	142	111	112	55	
SCG238D017(MO)	140	142	111	112	55	
SCG238D018	157	142	111	116	55	

(C) Construction type

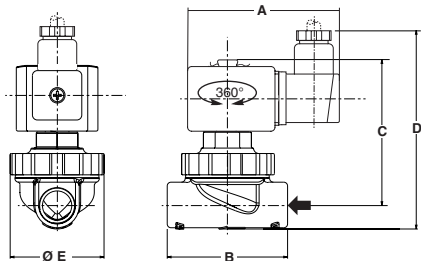
➔ flow direction

2/2 SOLENOID VALVES

DIMENSIONS

2/2 Solenoid valves, pilot operated, series 220

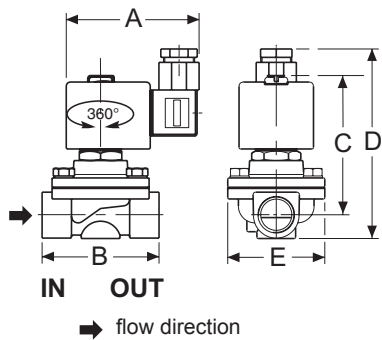
series 220



code	A	B	C	D	E
E220K405S1T00	91	73	90	119	132
E220K406S1T00	91	73	90	119	132
E220K408S1T00	95	73	89	119	134
E220K409S1T00	95	73	89	119	134

← flow direction

series 222



code	A	B	C	D	E
SCE222E002LT	80	70	104	131	59

→ flow direction

1/2 SOLENOID VALVES & VALVES

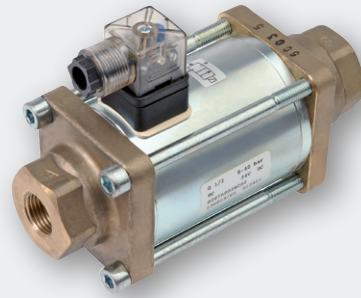
287 series

COAXIAL

direct operated

for high pressure fluids

G 3/8 to G 3/4



Fluids	air, gas, water, oil	
Differential pressure	refer to selection table	
Fluid temperature	-20°C to +100°C	
Ambient temperature	-20°C to +60°C	
Maximum viscosity	500 cSt (mm ² /s)	
Body	brass/stainless steel	
Sealing disc/cable gland	FPM /PTFE	
Standard voltages	DC (=)	24 V
Class H		

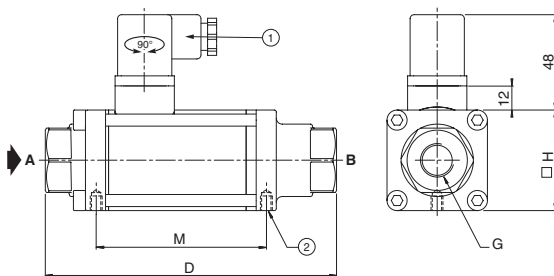
- High flow rates with low pressure drop
- Compatible with gaseous fluids, viscous or abrasive liquids
- Exceptional long service life
- Vacuum operation up to 10⁻⁴ mbar

YOUR SELECTION

pipe size	orifice size	flow coefficient Kv	operating pressure differential bar		power		code	dimensions mm				
			min.	max.	W	W		brass	D	H	M	N
							water					
G	mm	m ³ /h	B → A (~/=)	A → B (~/=)	~	=	~/=					
2/2 NC												
3/8	10	2,2	0	12	40	42	35	SCG287A001	145	50	85	-

DIMENSIONS

Solenoid valves

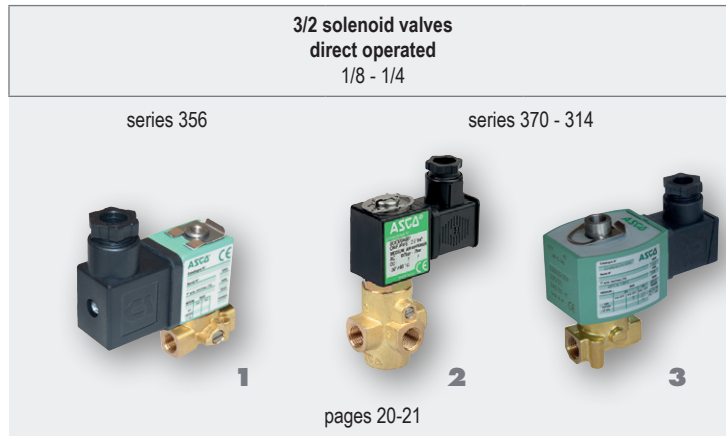


- ① Connector rectifier for AC (~)
- ② 2 mounting holes Ø M5, depth 7 mm

OPTIONS AND ACCESSORIES

Mounting brackets

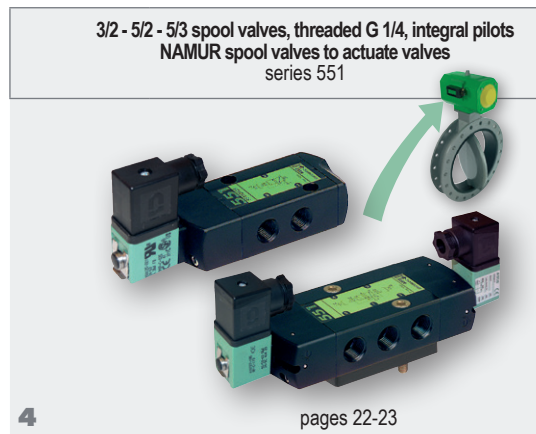
3/2 SOLENOID VALVES - 3/2-5/2-5/3 SPOOL VALVES



YOUR SELECTION

pipe size			fluids			operating pressure differential bar		(M)	visual	series	page
1/8	1/4	3/8 to 1	air/gas	water	oil	min.	max.				
3/2 NC - brass body											
●	●		●	●	●	0	15	×	1	356	20
	●		●	●	●	0	10	×	2	370	20
	●		●	●	●	0	14	● - X	3	314	20
3/2 NC - stainless steel body											
	●		●	●	●	0	16	×	2	370	20
	●		●	●	●	0	20	×	3	314	20
3/2 NO - brass body											
●			●	●	●	0	8,5	×	1	356	20
	●		●	●	●	0	10	×	2	370	20
	●		●	●	●	0	11	● - X	3	314	20
3/2 U - brass body											
	●		●	●	●	0	4,5	×	3	314	20

(M) manual operator X : without ● : with

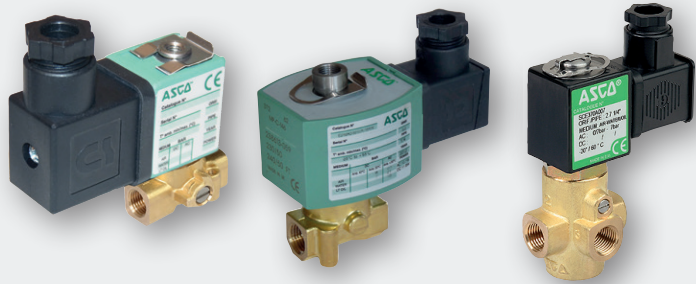


YOUR SELECTION

pilot		connection Ø G		NAMUR interface	NAMUR interface	max. pressure bar	flow at 6 bar l/min (ANR)	visual	series	page				
solenoid	pilot	M3	M5	1/8	1/4	3/8	1/2	3/4	1	1 1/2				
3/2														
●	●				●				●	8/10	860	4	551	22
5/2-5/3														
●	●				●				●	10	860	4	551	22
●									●		700	4	551	

3/2 SOLENOID VALVES

direct operated
brass body, 1/8 - 1/4
stainless steel body, 1/8 - 1/4



	series 356	series 320	series 370	series 314
Fluids	air, inert gas, water, oil			
Differential pressure	refer to selection table			
Fluid temperature (TS)	-10°C to +100°C	-20°C to +90°C	-25°C to +80°C	-25°C to +90°C
Ambient temperature (TS)	-10°C to +60°C	-20°C to +75°C	-25°C to +60°C	-25°C to +55°C
Body	brass/st. steel	brass		brass/st. steel
Sealings	FPM	NBR (nitrile)		NBR (nitrile) or FPM (V00)
Standard voltages DC (-)	24 - 48V			
AC (-)	24 - 48 - 115 - 230V / 50Hz			

- Easy to operate and override using the manual operator
- Compact solution for control of single-acting actuators or filling/draining circuits
- Excellent service life for outdoor applications
- Wide range of flow rates and differential pressures

YOUR SELECTION

pipe size	orifice size	flow coefficient Kv		operating pressure differential (bar)						power		(M)	connector	code G = ISO 228; E = Rp ISO 7/1; B = NPT	standard voltages (V)						
		2→1	3→1	min.	max.						~				=	AC (-) / 50Hz			DC (=)		
		m³/h	m³/h		air	water	oil	W	W	24	48				115	230	24	48			
3/2 NC - brass body																					
1/8	1,2	0,05	0,05	0	15	15	15	15	15	15	4	6,9	×	size 30 (2)	SCG356B001VMS	✓	✓	✓	✓	✓	✓
	1,6	0,08	0,05	0	10	10	10	10	10	10	4	6,9	×		SCG356B002VMS	✓	✓	✓	✓	✓	✓
	2,4	0,13	0,05	0	4	4	4	4	4	4	4	6,9	×		SCG356B004VMS	✓	✓	✓	✓	✓	✓
	1,6	0,08	0,05	0	10	10	10	10	-	-	4	6,9	×		SCG356B053VMS	✓	✓	✓	✓	✓	✓
1/4	1,6	0,08	0,05	0	10	10	10	10	10	10	5	6,9	×	size 30 (2)	SCG356B466VMS	✓	✓	✓	✓	✓	✓
	2,4	0,16	0,05	0	4	4	4	4	4	4	5	6,9	×		SCG356B470VMS	✓	✓	✓	✓	✓	✓
	0,2	-	0	10	5	10	5	10	5	8	10,8	×	SCE370A002		✓	✓	✓	✓	✓	✓	
	0,2	-	0	10	10	10	10	10	10	10,5	11,2	×	SCE370A017		✓	✓	✓	✓	✓	✓	
	0,2	-	0	10	10	10	10	10	10	10,5	11,2	×	SCE370A017MS		✓	✓	✓	✓	✓	✓	
	0,2	-	0	10	10	10	10	10	10	10,5	11,2	×	SCHTE370A017		✓	✓	✓	✓	✓	✓	
	15-DIGIT PRODUCT CODE (3)																				
	1/4	0,13	0,17	0	14	10	14	8	13	6	10,1	11,6	×		size 30 (2)	E314K035S1N00	FL	FR	FT	F8	F1
	0,13	0,17	0	14	10	14	8	13	7	10,1	11,6	●	E314K035S1N01	FL		FR	FT	F8	F1	F9	
3/2 Universal - FPM seals and poppets - brass body																					
1/4	3,2	0,22	0,17	0	4,5	3,5	4,5	3	2,5	3	10,1	11,6	×	size 30 (2)	E314K008S1V00	FL	FR	FT	F8	F1	F9
3/2 NO - brass body																					
1/8	1,6	0,096	0,05	0	8,5	8,5	8,5	8,5	8,5	8,5	4	6,9	×	size 30 (2)	SCG356B006VMS	✓	✓	✓	✓	✓	✓
1/4	2	0,11	-	0	10	10	10	10	10	10	10,5	11,2	×		SCE370A021MS	✓	✓	✓	✓	✓	✓
15-DIGIT PRODUCT CODE (3)																					
1/4	3,2	0,22	0,17	0	11	10	11	10	11	8	10,1	11,6	×	size 30 (2)	E314K054S1N00	FL	FR	FT	F8	F1	F9
		0,22	0,17	0	11	10	11	10	11	8	10,1	11,6	●		E314K054S1N01	FL	FR	FT	F8	F1	F9
3/2 NC - stainless steel body																					
15-DIGIT PRODUCT CODE (3)																					
1/4	1,2	0,04	0,05	0	20	17	20	17	20	17	10,1	11,6	×	size 30 (2)	E314K068S1V00	FL	FR	FT	F8	F1	F9

(M) Manual operator × : without ● : with (1) DIN 43650, 11 mm, industry standard B (2) ISO 4400 / EN 175301-803, form A

(3) Ordering example: add the 2 digits for the voltage at the end of the 15-digit code: E314K035S1N00F1 (24V DC)

Other type of connectors available:

. Connector with LED and electrical protection, change S1 to S2 on positions 9 and 10 of the code: Ordering example: E314K035S2N00F1

. Connector with LED and protection by Transil + 5 m lead, change S1 to S3 on positions 9 and 10 of the code: Ordering example: E314K035S3N00F1

. Connector with LED and protection by Transil + 5 m CNOMO lead resistant to cutting fluid, change S1 to S4 on positions 9 and 10 of the code: Ordering example:

E314K035S4N00F1

3/2 SOLENOID VALVES

OPTIONS AND ACCESSORIES

Connector with integrated electrical indication and protection or cable of 2m (see page 103)

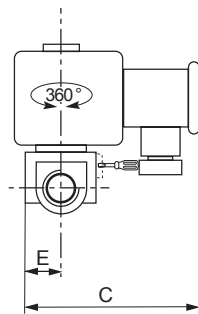
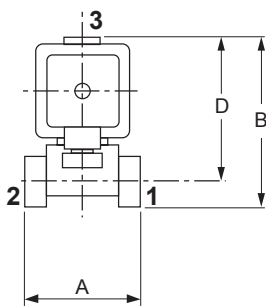
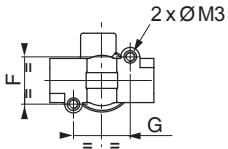


Replacement coils (see page 104)



DIMENSIONS

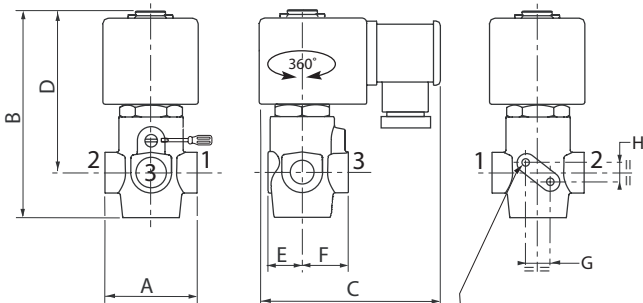
3/2 Solenoid valves, series 356



➔ flow direction

code	pipe size	A	B	C	D	E	F	G	➔
3/2 NC									
SCG356B001VMS									
SCG356B002VMS	1/8	33	53	59	46	15	15	18	2➔1
SCG356B004VMS									
SCG356B053VMS									
SCG356B466VMS	1/4	40	57	72	48	15	21	18	2➔1
SCG356B470VMS									
3/2 NO									
SCG356B006VMS	1/8	33	53	59	46	15	15	18	3➔1

3/2 Solenoid valves, series 370

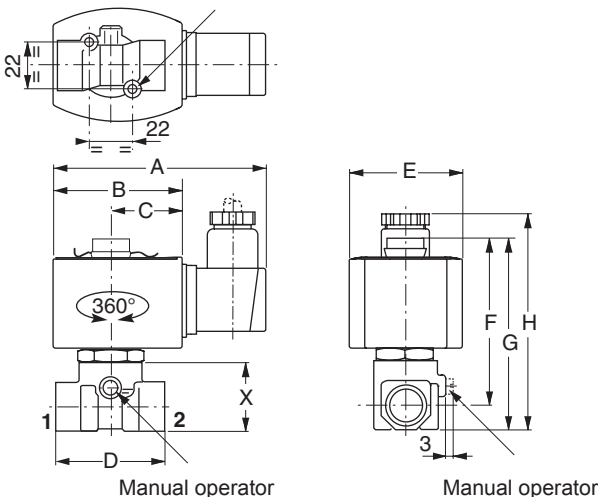


2 mounting holes M4 dia., depth 7 mm

code	A	B	C	D	E	F	G	H	➔
3/2 NC									
SCE370A002	43	97	71	76	15,5	21,5	11,2	9,4	2➔1
SCE370A017									
SCE370A017MS	43	97	86	76	15,5	21,5	11,2	9,4	2➔1
SCHTE370A017									

3/2 Solenoid valves, series 314

2 mounting holes M5 dia., depth 6 mm.



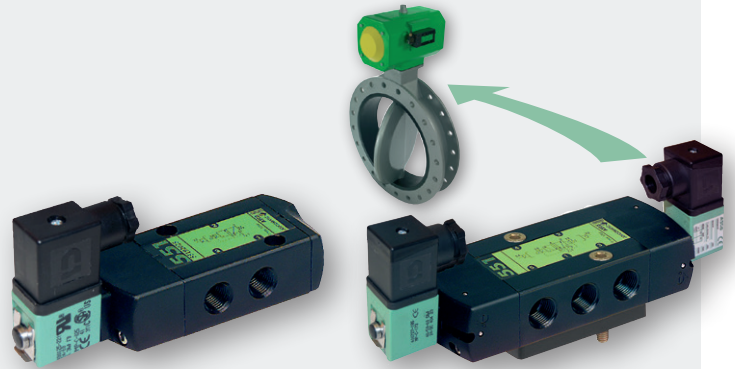
code	A	B	C	D	E	F	G	H	X	➔
E314K035S1N00										2➔1
E314K035S1N01										-
E314K008S1V00	97	59	34	40	50	73	82	96	30	3➔1
E314K054S1N00										3➔1
E314K054S1N01										2➔1
E314K068S1V00										2➔1

➔ flow direction

3/2-5/2-5/3 SPOOL VALVES

551 series
threaded G 1/4
integral pilots


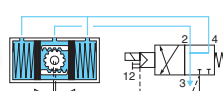

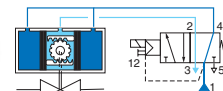


solenoid air operated
or with Namur interface




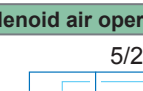

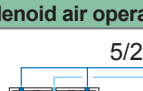
Fluids	air or inert gas, filtered, lubricated or not
Operating pressure	2 to 10 bar or 2 to 8 bar (CNOMO pilot versions)
Pilot pressure	internal piloting or 2 to 10 bar (external piloting)
Ambient temperature	-25°C to +60°C
Flow (Qv at 6 bar) (ANR)	860 l/min (700 l/min for Namur versions)
Body	black anodised aluminium
Internal parts	zamak, stainless steel, POM (polyacetal), aluminium
End plates	PA (polyamide), glass-fibre reinforced
Sealings	NBR (nitrile) + PUR (polyurethane)
Standard voltages DC (=)	24V-48V
AC (-)	24V-48V-115V-230V/50Hz

- Non breathing design, protecting the actuator from ingress of the atmosphere
- Wide temperature range for harsh environments (-25°C to +60°C)
- Reliability: long service life, 30 million cycles
- Can be attached to supply rail for fast pneumatic installation
- Compact dimensions for optimum integration with the actuators

YOUR SELECTION

integral pilot versions for valve piloting	code (1)	power		(M)	connector	standard voltages (V)						
		~ VA	= W			AC (-) / 50Hz				DC (=)		
3/2 NC - solenoid air operated - spring return (monostable function)												
 	SCG551A005MS	3,5	3	●	size 22 (2)	✓				✓	✓	✓
5/2 - solenoid air operated - spring return (monostable function)												
 	SCG551A017MS	3,5	3	●	size 22 (2)	✓	✓	✓	✓	✓	✓	✓
5/2 - solenoid air operated - solenoid air return (bistable)												
	SCG551A018MS	3,5	3	●	size 22 (2)	✓	✓	✓	✓	✓	✓	✓
5/3 - solenoid air operated - pressure held W1												
	SCG551A067MS	3,5	3	●	size 22 (2)					✓	✓	

(M) Manual operator ● : with maintained manual operator
 (1) When ordering, please specify in addition to the code: the type of current, voltage / frequency
 (2) DIN 43650, 11 mm, industry standard B

Namur integral pilot versions for valve piloting	code (1)	power		(M)	connector	standard voltages (V)						
		~ VA	= W			AC (-) / 50Hz				DC (=)		
3/2 NC - 5/2 - solenoid air operated - spring return (monostable function)*												
 	SCG551A001MS	3,5	3	●	size 22 (2)	✓	✓	✓	✓	✓	✓	✓
	SCG551A001			×								
3/2 NC - 5/2 - solenoid air operated - solenoid air return (bistable)												
 	SCG551A002MS	3,5	3	●	size 22 (2)	✓	✓	✓	✓	✓	✓	✓

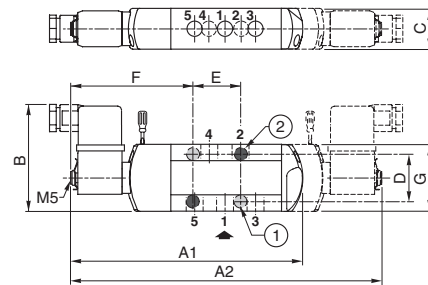
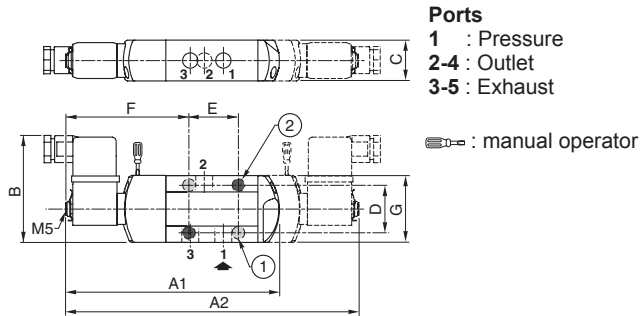
(M) Manual operator ● : with maintained manual operator
 (1) When ordering, please specify in addition to the code: the type of current, voltage / frequency
 (2) DIN 43650, 11 mm, industry standard B
 * pilot air operated, spring return

SPOOL VALVES

DIMENSIONS

3/2 NC spool valves - solenoid air operated integrated pilots

5/2 - 5/3 spool valves - solenoid air operated integrated pilots



code

	A1	B	C	D	E	F	G
SCG551A005MS	145	72	27,5	32	33	83,5	45

code

	dimensions (mm)							
	A1/017	A2/018/067	B	C	D	E	F	G
SCG551A017/018/067MS	157	210	72	27,5	32	32	82,5	45

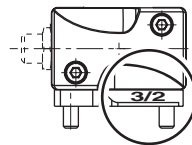
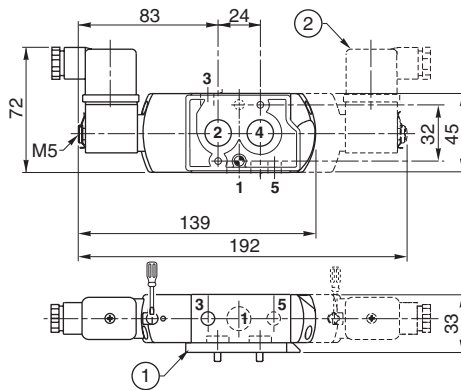
2 mounting holes:

- ① 5,3 mm dia. (Spotfacing: 9 mm dia., depth 5 mm) (series 551)
- ② 6,5 mm dia. (Spotfacing: 11 mm dia., depth 6 mm) (series 552-553)

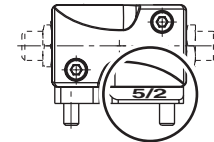
3/2 NC - 5/2 Namur spool valves - solenoid air operated

Ports
1 : Pressure
2-4 : Outlet
3-5 : Exhaust

- ① Interface plate
 - ② bistable function
- ☞ : manual operator



3/2 NC
 adapt the plate 3/2 under the spool valve



5/2
 adapt the plate 5/2 under the spool valve

OPTIONS AND ACCESSORIES

Stainless steel exhaust protector

G 1/4 - code : **34600419**

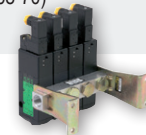


Batch of 2 exhaust reducers G 1/8

code : **88100344**



Mounting brackets (see page 68-70)




replacement coils (see page 104)



AIR CYLINDERS

short stroke cylinders
single acting / double acting
Series 441



pages 25-26 **1**


compact cylinders, standardised to ISO 21287
compatibility for assembly
with ISO 15552 mountings
double acting - Series 449



pages 27-28 **2-3**


cylinders with profiled barrel / tie rods
standardised to ISO 15552
double acting
Series 453-450

profiled barrel tie rods



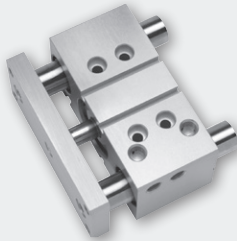
pages 29..30, 32..38 **4-5**

standardised round cylinders
ISO 6431/ISO 6432
double acting
Series 435 / 438



pages 40..43 **6-7**

Guide cylinders
double acting
Series CGT



pages 31 - 39 **8**

YOUR SELECTION

standards				Ø cylinder (mm)																	max. stroke (mm)	detection		cushioning		construction				visual	series	page
ISO 15552	ISO 6431	ISO 6432	ISO 21287	8	12	16	20	25	32	40	50	63	80	100	125	160	200	yes	no	elastic		adjustable pneumatic	cylindrical	profiled barrel	tie rods	bearings						
single acting				●	●	●	●	●	●	●	●	●	●	●					25	●					●			1	441			
double acting				●	●	●	●	●	●	●	●	●	●	●	●	●				100	●				●			1	441	25		
	●(1)		●				●	●	●	●	●	●	●	●	●				400	●		●		●			2	449	27			
	●								●	●	●	●	●	●	●				1000	●		●		●			4	453	29			
	●									●	●	●	●	●	●	●	●		1000	●		●		●			5	450	30			
							●	●	●	●	●								75	●					●		8	CGT	31			
		●				●	●	●	●										160	●			●				6	435	40			
		●					●	●											160	●		●	●				7	438	41			
	●								●	●	●	●							500	●		●	●	●			7	438	41			

(1) Compatible with ISO 15552 (compact cylinders, 449 series)

SHORT STROKE CYLINDERS

441 series

SINGLE AND DOUBLE ACTING

Ø 8 to 80 mm

equipped for magnetic position detectors



Fluids	air or neutral gas, filtered, lubricated or not
Operating pressure	max. 10 bar
Temperature	-20°C to +70°C
Barrel	light alloy
Rod	stainless steel or chrome-plated
Piston seals	PUR (polyurethane)
Cushioning	not cushioned
Connection	M5 (Ø 8 - 25 mm)
	G1/8 (Ø 32 - 80 mm)

- Reduced dimensions
- Adapted to suit flange-mounted applications
- Ease of assembly: mounting at front or rear with screws (smooth or threaded holes)

YOUR SELECTION

15-DIGIT PRODUCT CODE

G 441 A - S K - - - - A00

Thread connection
G = ISO 16030

Product series
441

Revision letter
A = Initial release

Diameter (mm) (1)
G = 8 3 = 32
H = 10 4 = 40
J = 12 5 = 50
K = 16 6 = 63
L = 20 8 = 80
M = 25

(1) Diameter 100 mm on request.

Rod options 1

S = Single rod, Double acting
1 = Single acting rod in

Rod options 2

K = Female rod thread
G = Female rod thread + AISI 303 rod

Options
A00 = Without

Recommended standard strokes (mm) (1)

Ø mm	con- nect. Ø	◆ single and double acting ■ single acting ● double acting										max. stroke			
		4	5	10	15	20	25	30	40	50	60		80	100	
8	M5	■	●	◆	●	●	●								30
10		■	●	◆	●	●	●								30
12		■	●	◆	●	●	●	●							40
16		■	●	◆	●	●	●	●	●						40
20		■	●	◆	●	●	●	●	●	●					60
25			◆	◆	●	●	●	●	●	●					60
32	G1/8		◆	◆	●	●	◆	●	●	●	●	●	●	100	
40			●	◆	●	●	◆	●	●	●	●	●	●	120	
50				◆	●	●	◆	●	●	●	●	●	●	150	
63				◆	●	●	◆	●	●	●	●	●	●	150	
80				◆	●	●	◆	●	●	●	●	●	●	150	

(1) Other strokes on request.

OPTIONS AND ACCESSORIES

Position detectors
(see page 44)



Flow regulators
(see page 99)



Other strokes
Other diameters
(100 mm)

Hollow through rod
version



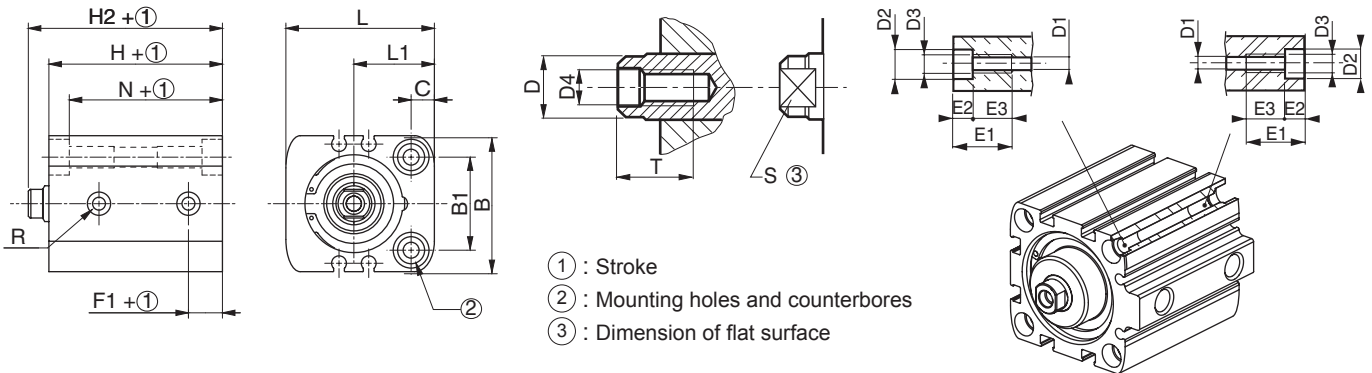
SHORT STROKE CYLINDERS - 441 SERIES

DIMENSIONS

Ø 8 to 25 mm single and double acting

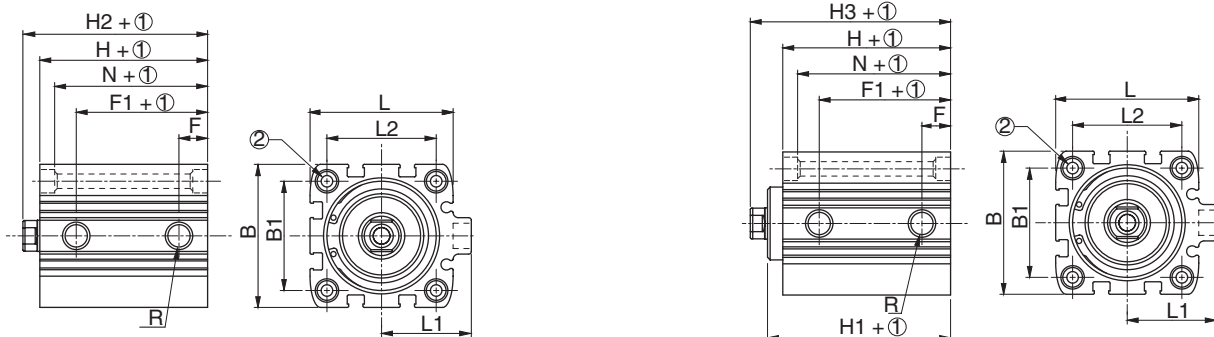
details cylinder rod Ø 8 to 80 mm

mounting holes



Ø 32 to 80 mm single acting

Ø 32 to 80 mm double acting



Ø mm	B	B1	C	D	D1	D2	D3	D4	D5	E1	E2	E3	F	F1	H	H1	H2	H3	L	L1	L2	N	R	S	T
8	20	11	4,5	4	3,4	6	M4	M2,5	-	12	3,4	8,6	5	14	23	-	24	-	24	15	-	19,6	M5	-	3,5
10	21	12	4,5	4	3,4	6	M4	M2,5	-	12	3,4	8,6	5	15	24	-	25	-	25,5	15	-	20,6	M5	-	3,5
12	23	13	4,5	4	3,4	6	M4	M2,5	-	12	3,4	8,6	5	16	24	-	25	-	27,5	16,5	-	20,6	M5	-	3,5
16	28	18	5,5	7,8	4,5	8	M5	M4	-	15	4,6	10,4	6	18	32	-	36,5	-	31,5	17,5	-	27,4	M5	6	8
20	32	20	6,5	9,8	5,5	10	M6	M5	-	18	5,7	12,3	8	20	32	-	36,5	-	37,5	21,5	-	26,3	M5	8	11
25	38	26	6,5	9,8	5,5	10	M6	M5	-	18	5,7	12,3	9,5	24,5	38,5	-	44	-	41,5	22,5	-	33,8	M5	8	11
32	45	32	-	11,8	5,5	10	M6	M6	26	18	5,7	12,3	9,5	22	39,5	44,5	45	50,5	48	31	36	33,8	G1/8	10	13
40	55	42	-	11,8	5,5	10	M6	M6	28	18	5,7	12,3	11	25,5	39,5	45,5	46	52	55	34,5	42	33,8	G1/8	10	13
50	65	50	-	15,8	6,6	11	M8	M8	34	20	6,8	13,2	11	25,5	39,5	45,5	47	53	65	41,5	50	32,7	G1/8	13	12
63	80	62	-	15,8	9	15	M10	M8	38,5	25	9	16	11	27,3	42	50	48,5	57,5	80	49	62	33	G1/8	13	14
80	100	82	-	19,8	9	15	M10	M10	44	25	9	16	12,5	29,3	46	56	54	64	100	59	82	37	G1/8	17	16

COMPACT CYLINDERS

449 series

DOUBLE ACTING, Ø 20 to 100 mm
compatible with ISO 21287
equipped for magnetic position detectors



Fluid	air or neutral gas, filtered, lubricated or not
Operating pressure	max. 10 bar
Temperature	-20°C to +70°C
Max. allowable speed	0,5 m/s
Barrel	anodised aluminium alloy
Rod	Ø20-25: stainless steel, Ø32-100: chrome plated steel
Piston seals	PUR (polyurethane)
Cushioning	elastic
Standardisation	compatibility for assembly with standardised mountings Ø20-25: ISO 21287 Ø32-100: ISO 15552
Connection	M5 (Ø 20 - 25 mm) G1/8 (Ø 32 - 100 mm)

- Compact size: saves up to 65% in relation to an ISO cylinder
- Profiled square barrel for flush-mounted position detectors
- Screwed ends
- Uses the same mountings as ISO cylinders

YOUR SELECTION

15-DIGIT PRODUCT CODE

G 449 A - S K - - - - A00

Thread connection
G = ISO 228/1

Product series
449

Revision letter
A = Initial release

Diameter (mm)
L = 20 5 = 50
M = 25 6 = 63
3 = 32 8 = 80
4 = 40 1 = 100

Rod options 1
S = Double acting
1 = Single acting rod in
3 = Single acting rod out

Rod options 2
K = Female rod thread
M = Male rod thread
G = Female rod thread + AISI 303 rod
N = Male rod thread + AISI 303 rod

Options

A00 = Without
MT4 = Non fixed centre trunnion (MT4 axis perpendicular to the ports)⁽¹⁾
MS4 = Non fixed centre trunnion (MT4 axis parallel to the ports)⁽¹⁾

⁽¹⁾ For fixed supplied centre trunnion, consult our Dynamic Product Modeling Tool on www.asconumatics.eu and indicate XV dimension.

Recommended standard strokes (mm) ⁽¹⁾

◆ single and double acting ● double acting

Ø mm	connect. Ø	5	10	15	20	25	50	80	100	max. stroke
20	M5	◆	◆	◆	●	●	●			60
25		◆	◆	◆	◆	●	●	●		60
32	G1/8	◆	◆	◆	◆	◆	●	●	●	400
40		◆	◆	◆	◆	◆	●	●	●	400
50		◆	◆	◆	◆	◆	●	●	●	400
60		◆	◆	◆	◆	◆	●	●	●	400
80		◆	◆	◆	◆	◆	●	●	●	400
100		◆	◆	◆	◆	◆	●	●	●	400

⁽¹⁾ Other strokes on request.

OPTIONS AND ACCESSORIES

Standardised mountings
(see page 36)



Position detectors
(see page 44)



Flow regulators
(see page 99)



Other strokes
Other diameters

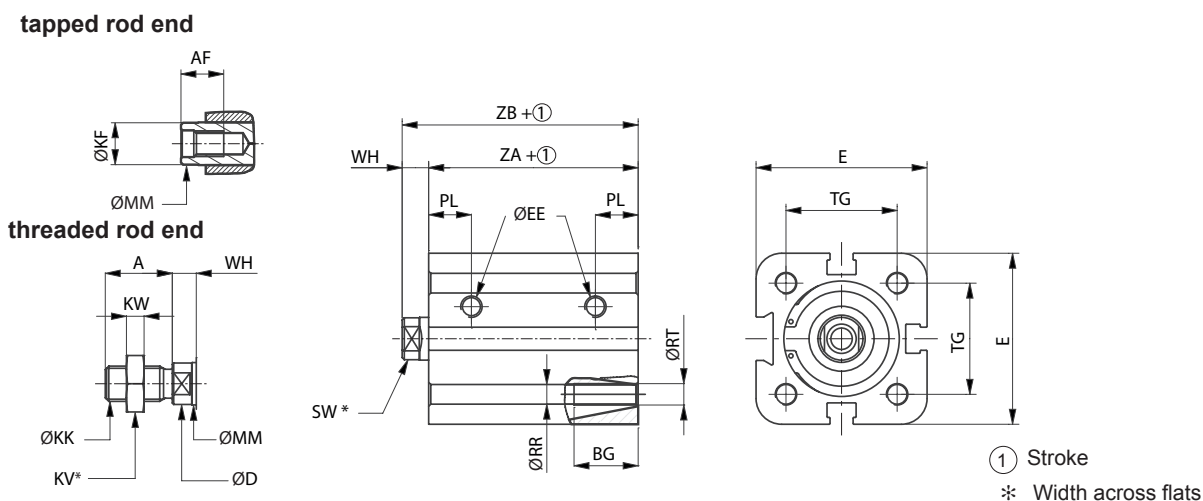
Versions with hollow
through rod, threaded end
of the rod ...



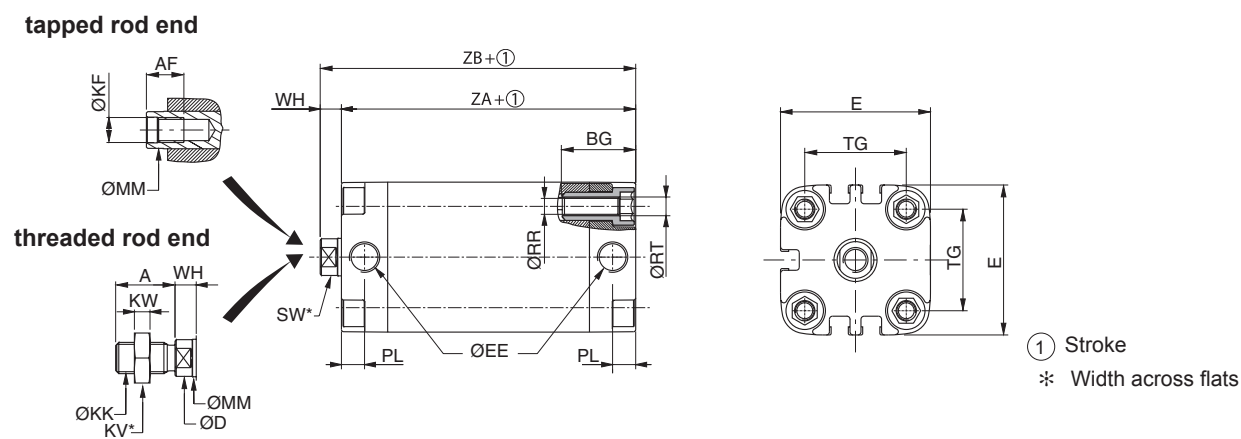
COMPACT CYLINDERS - 449 SERIES

DIMENSIONS

Single-Rod type cylinder Ø 20-25 mm



Single-Rod type cylinder Ø 32-100 mm



Ø	A	AF	BG	ØD	E	EE	ØKF	ØKK	KV	KW	ØMM	PL	ØRR	ØRT	SW	TG	WH	ZA	ZB
20	16	10	15	9,8	36	M5	M6	M8x1,25	13	4	10	10	4,5	M5	8	22	6	37	43
25	16	10	15	9,8	40	M5	M6	M8x1,25	13	4	10	10	4,5	M5	8	26	6	39	45
32	19	12	23,5	11,8	48	G 1/8	M8	M10x1,25	16	5	12	7,5	7,0	M6	10	32,5	7	44	51
40	19	12	23,5	11,8	54	G 1/8	M8	M10x1,25	16	5	12	7,5	5,1	M6	10	38	7	45	52
50	22	16	27,5	15,8	66	G 1/8	M10	M12x1,25	18	6	16	7,5	6,7	M8	13	46,5	8	45	53
63	22	16	27,5	15,8	78	G 1/8	M10	M12x1,25	18	6	16	7,5	6,7	M8	13	56,5	8	49	57
80	28	20	28,5	19,8	96	G 1/8	M12	M16x1,50	24	8	20	8,5	8,5	M10	16	72	10	54	64
100	28	20	28,5	24,8	115	G 1/8	M12	M16x1,50	24	8	25	10	8,5	M10	21	89	10	67	77

CYLINDERS WITH PROFILED BARREL AND TIE RODS

DOUBLE ACTING, Ø 32 to 100 mm (453 series)

Ø 32 to 200 mm (450 series)

ISO 15552

equipped for magnetic position detectors

GUIDING UNITS



Fluid	air or neutral gas, filtered, lubricated or not
Operating pressure	10 bar
Allowable temperature	-20°C to +70°C (contact us if this limit is exceeded)
Max. allowable speed	2 m/s
Barrel	treated aluminium alloy
Rod	hard chrome plated steel
Piston seals	PUR (polyurethane)
Cushioning	adjustable pneumatic
Standardisation	ISO 15552
Connection	G1/8 (Ø 32mm) - G1/4 (Ø40 - 50mm) G3/8 (Ø63 - 80mm) - G1/2 (Ø 100mm)

- Square shaped barrel with "T"-shape grooves for detectors
- Link between front and rear covers by tie rods
- Effective and precise pneumatic cushioning
- Rod guided and self-lubricating cylinder
- Various options for all types of environments: Rod locking device, aggressive environments, high temperatures...

YOUR SELECTION

15-DIGIT PRODUCT CODE

G 453 A - S K - - - - A00

Thread connection
G = ISO 228/1

Product series
453

Revision letter
A = Initial release

Diameter (mm)
3 = 32
4 = 40
5 = 50
6 = 63
8 = 80
1 = 100

Rod options 1

S = Chromed Single rod
2 = Through rod
3 = AISI 303 stainless steel rod
4 = AISI 303 stainless steel through rod

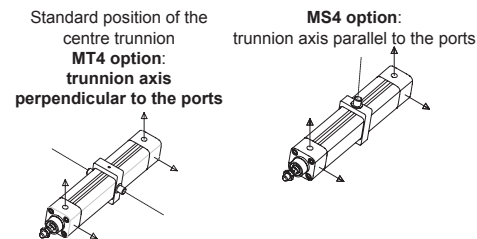
Rod options 2

K = No option
5 = Dynamic rod-locking device - Ø 40 to 100 mm

Options

A00 = Without
MT4 = Non fixed centre trunnion (MT4 axis perpendicular to the ports)⁽¹⁾
MS4 = Non fixed centre trunnion (MT4 axis parallel to the ports)⁽¹⁾
UCG = Plain bearing "U" guiding unit
HCG = Plain bearing "H" guiding unit
HBG = Ball bearing "H" guiding unit

(1) For fixed supplied centre trunnion, consult our Dynamic Product Modeling Tool on www.asconumatics.eu and indicate XV dimension.



Recommended standard strokes (mm) ⁽¹⁾

Ø mm	con-nect. Ø	25	50	80	100	125	160	200	250	320	400	500	630	700	800	900	1000	1500	max. stroke
32	G1/8	●	●	●	●	●	●	●	●										2000
40	G1/4	●	●	●	●	●	●	●	●	●	●	●	●						2000
50	G1/4	●	●	●	●	●	●	●	●	●	●	●	●	●					2000
63	G3/8	●	●	●	●	●	●	●	●	●	●	●	●	●	●				2000
80	G3/8	●	●	●	●	●	●	●	●	●	●	●	●	●	●	●			2000
100	G1/2	●	●	●	●	●	●	●	●	●	●	●	●	●	●	●	●	●	2000

(1) Other strokes on request.

OPTIONS AND ACCESSORIES

Standardised mountings (see page 36)



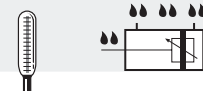
Position detectors and mounting kits (see page 44)



Flow regulators (see page 99)



High temperature versions, aggressive environments...



ISO 1552 CYLINDERS WITH TIE RODS - 450 series

YOUR SELECTION



HOW TO ORDER

15-DIGIT PRODUCT CODE

G 450 A - S K - - - - A00

Thread connection
G = ISO 16030

Product series
450

Revision letter
A = Initial release

Diameter (mm) ⁽¹⁾

3 = 32	1 = 100
4 = 40	P = 125
5 = 50	Q = 160
6 = 63	R = 200
8 = 80	

⁽¹⁾ 250 mm/ 320 mm, contact us

Options de tige 1

S = Chromed single rod
2 = Through rod
3 = AISI 303 stainless steel rod
4 = AISI 303 stainless steel through rod

Stainless steel rod nuts delivered with options 3 & 4.

Rod options 2

K = No option
5 = Dynamic rod-locking device - Ø 40 to 100 mm

Options

A00 = Without

FMT = Fixed centre trunnion (axis perpendicular to the ports)⁽³⁾

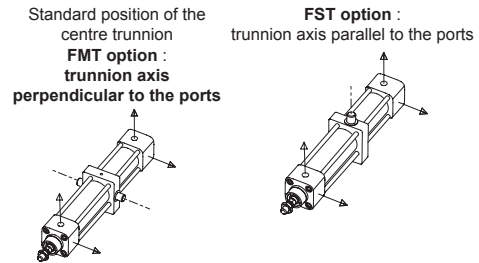
FST = Fixed centre trunnion (axis parallel to the ports)⁽³⁾

UCG = Plain bearing "U" guiding unit

HCG = Plain bearing "H" guiding unit

HBG = Ball bearing "H" guiding unit

⁽³⁾ For fixed supplied centre trunnion, consult our Dynamic Product Modeling Tool on www.asconumatics.eu and indicate XV dimension.



Recommended standard strokes (mm) ⁽⁵⁾

Ø mm	connect. Ø (G)	25	50	80	100	125	160	200	250	320	400	500	600	700	800	900	1000	1500	max. stroke
32	G1/8	●	●	●	●	●	●	●	●	●	●	●	●	●	●	●	●	●	2000
40	G1/4	●	●	●	●	●	●	●	●	●	●	●	●	●	●	●	●	●	2000
50	G1/4	●	●	●	●	●	●	●	●	●	●	●	●	●	●	●	●	●	2000
63	G3/8	●	●	●	●	●	●	●	●	●	●	●	●	●	●	●	●	●	2000
80	G3/8	●	●	●	●	●	●	●	●	●	●	●	●	●	●	●	●	●	2000
100	G1/2	●	●	●	●	●	●	●	●	●	●	●	●	●	●	●	●	●	2000
125	G1/2	●	●	●	●	●	●	●	●	●	●	●	●	●	●	●	●	●	2000
160	G3/4	●	●	●	●	●	●	●	●	●	●	●	●	●	●	●	●	●	2000
200	G3/4	●	●	●	●	●	●	●	●	●	●	●	●	●	●	●	●	●	2000

⁽⁵⁾ Other strokes on request. / Min. stroke: 5 mm



OPTIONS AND ACCESSORIES

Standardised mountings
(see page 36)



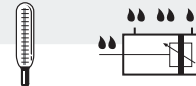
Position detectors and
mounting kits
(see page 44)



Flow regulators
(see page 99)

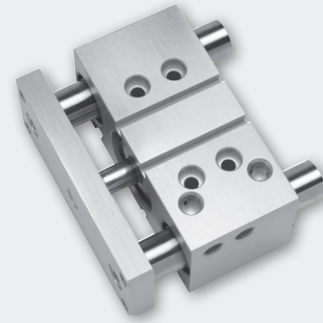


High temperature versions,
aggressive environments...



GUIDE CYLINDER

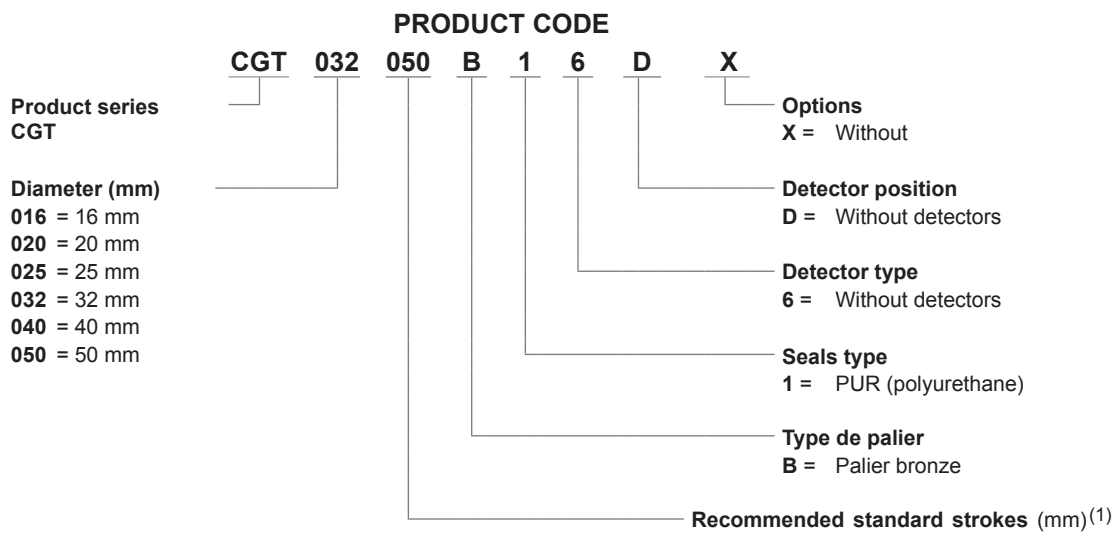
DOUBLE ACTING, Ø 16 to 50 mm (CGT series)
equipped for magnetic position detectors



Fluid	air or neutral gas, filtered, lubricated or not
Operating pressure	10 bar
Allowable temperature	-20°C to +80°C
Max. allowable speed	0,4 to 0,8 m/s
Body	Anodised aluminium alloy
Guiding rod	Hardened and polished steel
Wiper seals	Reinforced steel
Piston	Fitted with a permanent annular magnet
Front plate	Treated steel
Bearings	Bronze

- Transfer and positioning of loads with accurate force, torque, speed and position control
- Compact design, ideally suited for installation in confined spaces
- Options for dusty environments, precision metal component manufacturing and welding applications
- Linear guide slides with plain bronze

YOUR SELECTION



Ø mm	connect. Ø	10	20	25	30	40	50	75
16	M5	●	●		●	●	●	●
20	G1/8		●		●	●	●	●
25	G1/8		●	●	●	●	●	●
32	G1/8			●			●	●
40	G1/8			●			●	●
50	G1/4			●			●	●

(1) Other strokes on request.

OPTIONS AND ACCESSORIES

Position detectors and mounting kits (see page 44)



Flow regulators (see page 99)

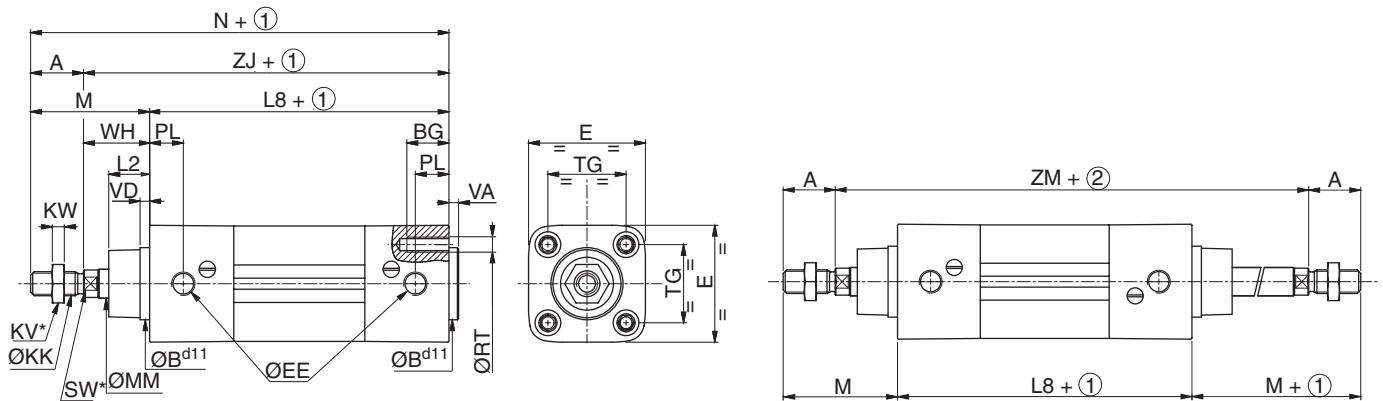


ISO 1552 CYLINDERS - 453 / 450 series

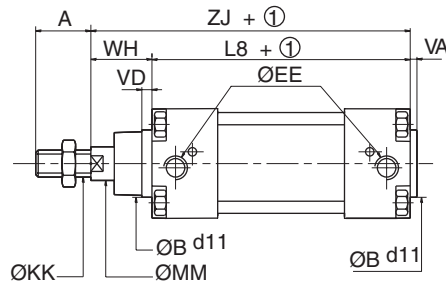
DIMENSIONS

Single-rod type cylinders - 453 series

Through-rod type cylinders - 453 series



Cylinders with tie rods - 450 series



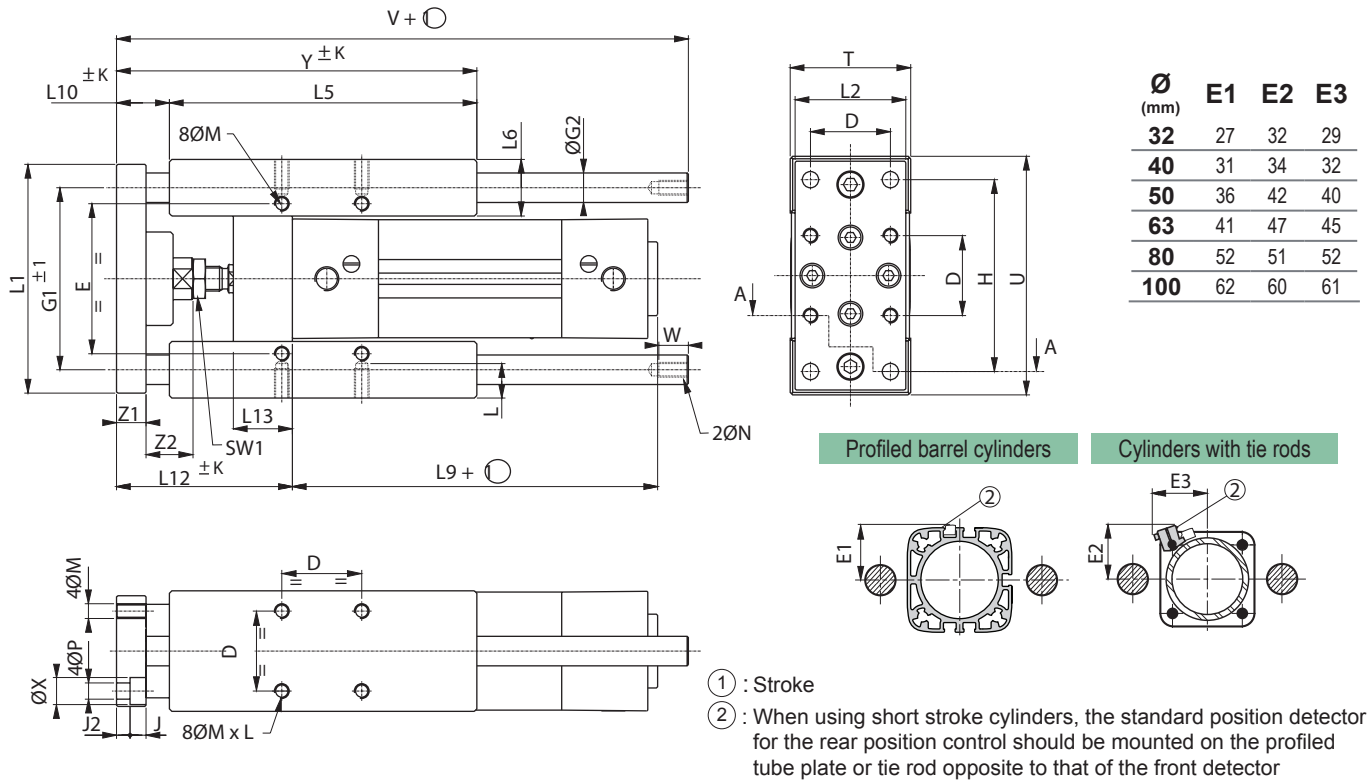
① Stroke

Ø mm	A	B	BG	E	EE	KK	KV	KW	L2	L8	M	MM	N	PL	RT	SW	TG	VA	VD	WH	ZJ	ZM
32	22	30	16	50	G1/8	M10 x 1,25	16	5	17	94	48	12	142	14	M6	10	32,5 ^{±0,5}	4	4	26	120	146
40	24	35	16	57,5	G1/4	M12 x 1,25	18	6	19	105	54	16	159	16	M6	13	38 ^{±0,5}	4	4	30	135	165
50	32	40	16	65	G1/4	M16 x 1,5	24	8	24	106	69	20	175	20	M8	17	46,5 ^{±0,6}	4	4	37	143	180
63	32	45	16	79	G3/8	M16 x 1,5	24	8	24	121	69	20	190	20	M8	17	56,5 ^{±0,7}	4	4	37	158	195
80	40	45	17	100	G3/8	M20 x 1,5	30	10	33	128	86	25	214	25	M10	22	72 ^{±0,7}	4	4	46	174	220
100	40	55	17	120	G1/2	M20 x 1,5	30	10	35,5	138	91	25	229	25	M10	22	89 ^{±0,7}	4	4	51	189	240
125	54	60	24	145	G1/2	M27x2	41	13,5	40	160	119	32	279	32	M12	27	110 ^{±1,1}	6	6	65	225	-
160	72	65	29,5	180	G3/4	M36x2	55	18	58	180	152	40	332	35,5	M16	36	140 ^{±1,1}	6	6	80	260	-
200	72	75	29,5	220	G3/4	M36x2	55	18	58	180	167	40	347	35	M16	36	175 ^{±1,1}	6	6	95	275	-

ISO 15552 GUIDING UNITS

DIMENSIONS

"H" guiding unit with bearings (series 453 cylinder)



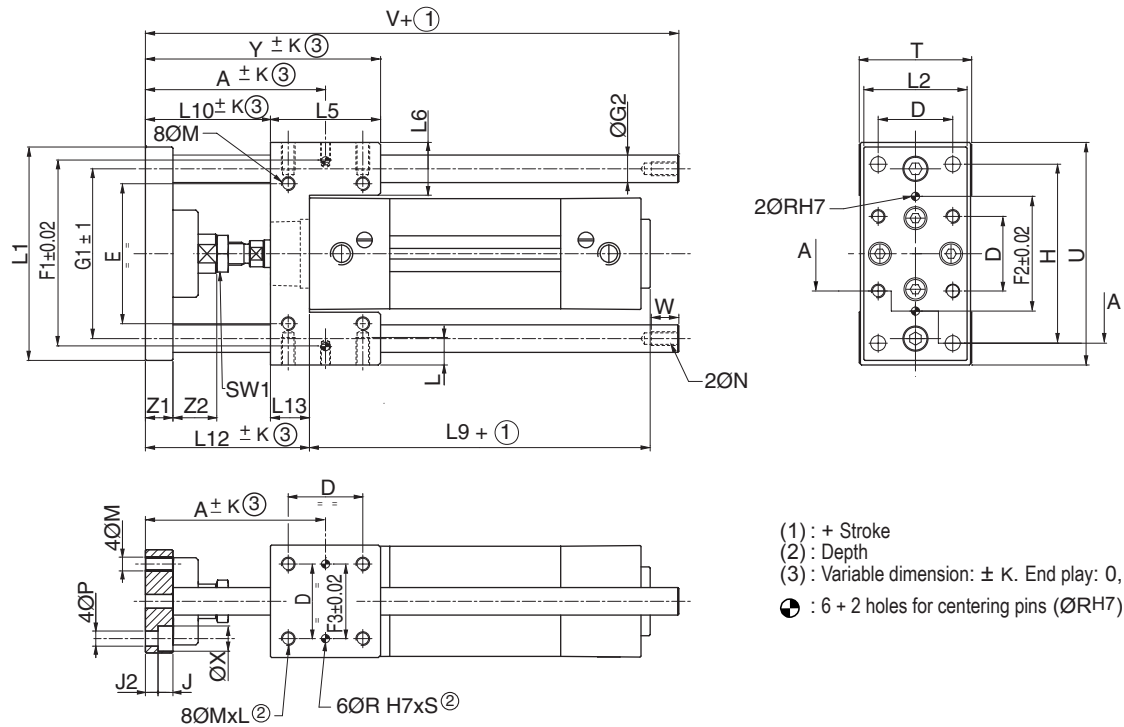
Ø mm	A	D	E	F1	F2	F3	G1	G2	H	J	K	L	L1	L2	L5	L6	L9
32	78,5	32,5	61	81	50	32,5	74	12	78	6,5	2,5	12	93	45	125	23	98
40	85	38	69	99	54	38	87	16	84	6,5	3	12	112	55	140	28	109
50	97	46,5	85	119	72	46,5	104	20	100	8,5	4	16	134	65	148	33	110
63	106	56,5	100	132	82	56,5	119	20	105	9	4	16	147	80	178	33	125
80	130	72	130	166	106	72	148	25	130	11	5	20	180	100	195	41	132
100	140,5	89	150	190	131	89	173	25	150	11	5	20	206	120	218	42	142

Ø mm	L10	L12	L13	M	N	P	R	S	SW1	T	U	V	W	X	Y	Z1
32	21,5	71,5	24	M6	M6	6,6	6	10	16	49	97	182	11	11	146,5	12
40	17	77	28	M6	M6	6,6	6	10	18	58	115	192	11	11	157	12
50	22,5	92,5	34	M8	M8	9	6	10	24	70	137	237	16	15	170,5	15
63	21	93	34	M8	M8	9	6	10	24	85	152	237	16	15	199	15
80	31	115	50	M10	M10	11	6	10	30	105	189	280	16	18	226	20
100	30,5	120,5	55	M10	M10	11	6	10	30	130	213	280	16	18	248,5	20

ISO 15552 GUIDING UNITS

DIMENSIONS

"U" guiding unit with bearings (series 453 cylinder)



- (1) : + Stroke
- (2) : Depth
- (3) : Variable dimension: $\pm K$. End play: 0,1 mm
- ⊕ : 6 + 2 holes for centering pins (\varnothing RH7)

\varnothing	A	D	E	F1	F2	F3	G1	G2	H	J	J2	K	L	L1	L2	L5	L6	L9	L10	L12
32	78,5	32,5	61	81	50	32,5	74	12	78	6,5	5,5	2,5	12	93	45	48	23	98	54,5	71,5
40	85	38	69	99	54	38	87	16	84	6,5	5,5	3	12	112	55	58	28,4	109	56	77
50	97	46,5	85	119	72	46,5	104	20	100	8,5	6,5	4	16	134	65	59	33,4	110	67,5	92,5
63	106	56,5	100	132	82	56,5	119	20	105	9	6	4	16	147	80	76	33,4	125	68	93
80	130	72	130	166	106	72	148	25	130	11	9	5	20	180	100	90	41,8	132	81	115
100	140,5	89	150	190	131	89	173	25	150	11	9	5	20	206	120	110	41,3	142	81,5	120,5

\varnothing	L13	M	N	P	R (H7)	S	SW1	T	U	V	W	X	Y	Z1	Z2
32	17	M6	M6	6,6	6	10	16	49	97	182	11	11	102,5	12	25
40	21	M6	M6	6,6	6	10	18	58	115	192	11	11	114	12	25
50	25	M8	M8	9	6	10	24	70	137	237	16	15	126,5	15	29
63	25	M8	M8	9	6	10	24	85	152	237	16	15	144	15	29
80	34	M10	M10	11	6	10	30	105	189	280	16	18	171	20	27
100	39	M10	M10	11	6	10	30	130	213	280	16	18	191,5	20	27

ISO 15552 STANDARDISED MOUNTINGS

YOUR SELECTION (MOUNTINGS supplied with mounting screws)

Low feet MS1 (batch of 2 items)

Ø mm	stamped sheet steel	Ø mm	light alloy
32	P493A3124000A00	32	P493A3125100A00
40	P493A4124000A00	40	P493A4125100A00
50	P493A5124000A00	50	P493A5125100A00
63	P493A6124000A00	63	P493A6125100A00
80	P493A8124000A00	80	P493A8125100A00
100	P493A1124000A00	100	-

Cap, detachable clevis MP2

Ø mm	light alloy	cast iron
32	P493A3121110A00	P493A3121010A00
40	P493A4121110A00	P493A4121010A00
50	P493A5121110A00	P493A5121010A00
63	P493A6121110A00	P493A6121010A00
80	P493A8121110A00	P493A8121010A00
100	P493A1121110A00	P493A1121010A00
125	-	P493AP121010A00

Centre trunnion MT4 (cylinders with profiled barrel, 453 - 449 series)

Ø mm	cast iron delivered separately	Support for centre trunnion AT4 aluminium
32	P493A3111000A00	P493A3112100A00
40	P493A4111000A00	P493A4112100A00
50	P493A5111000A00	P493A4112100A00
63	P493A6111000A00	P493A6112100A00
80	P493A8111000A00	P493A6112100A00
100	P493A1111000A00	P493A1112100A00

Cap, detachable eye MP4

Ø mm	light alloy	cast iron
32	P493A3122100A00	P493A3122010A00
40	P493A4122100A00	P493A4122010A00
50	P493A5122100A00	P493A5122010A00
63	P493A6122100A00	P493A6122010A00
80	P493A8122100A00	P493A8122010A00
100	P493A1122100A00	P493A1122010A00
125	-	P493AP122310A00

Centre trunnion MT4 (cylinders with tie rods, 450 series)

Ø mm	cast iron, delivered separately (page 38)
32	P493A3113000A00
40	P493A4113000A00
50	P493A5113000A00
63	P493A6113000A00
80	P493A8113000A00
100	P493A1113000A00

Angular clevis bracket AB7

Ø mm	light alloy	cast iron
32	P493A3123100A00	P493A3123010A00
40	P493A4123100A00	P493A4123010A00
50	P493A5123100A00	P493A5123010A00
63	P493A6123100A00	P493A6123010A00
80	P493A8123100A00	P493A8123010A00
100	P493A1123100A00	P493A1123010A00

Female rod clevis AP2

Ø mm	453 / 450 series steel	449 series steel
32	P493A3131000A00	P493A3131000A00
40	P493A4131000A00	P493A3131000A00
50	P493A5131000A00	P493A4131000A00
63	P493A5131000A00	P493A4131000A00
80	P493A8131000A00	P493A5131000A00
100	P493A8131000A00	P493A5131000A00
125	P493AP131000A00	
160	P493AQ131000A00	
200	P493AQ131000A00	

Cap clevis for spherical eye or clevis bracket AB6

Ø mm	steel
32	P493A3129000A00
40	P493A4129000A00
50	P493A5129000A00
63	P493A6129000A00
80	P493A8129000A00
100	P493A1129000A00

Spherical rod end AP6

Ø mm	453 / 450 series steel	449 series steel
32	P493A3132000A00	P493A3132000A00
40	P493A4132000A00	P493A3132000A00
50	P493A5132000A00	P493A4132000A00
63	P493A5132000A00	P493A4132000A00
80	P493A8132000A00	P493A5132000A00
100	P493A8132000A00	P493A5132000A00
125	P493AP132000A00	
160	P493AQ132000A00	
200	P493AQ132000A00	

Cap eye with spherical bearing MP6

Ø mm	steel
32	P493A3128000A00
40	P493A4128000A00
50	P493A5128000A00
63	P493A6128000A00
80	P493A8128000A00
100	P493A1128000A00

Alignment compensator

Ø mm	light alloy
32	P493A3134000A00
40	P493A4134000A00
50-63	P493A5134000A00
80-100	P493A8134000A00

Rectangular front or rear flange MF1 - MF2

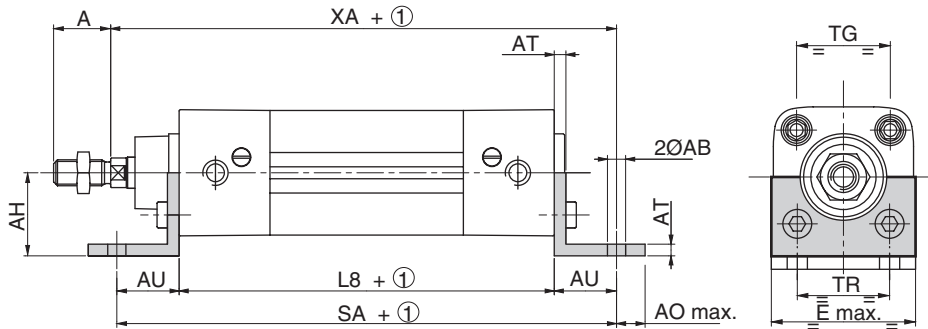
Ø mm	steel
32	P493A3126000A00
40	P493A4126000A00
50	P493A5126000A00
63	P493A6126000A00
80	P493A8126000A00
100	P493A1126000A00

ISO 1552 STANDARDISED MOUNTINGS

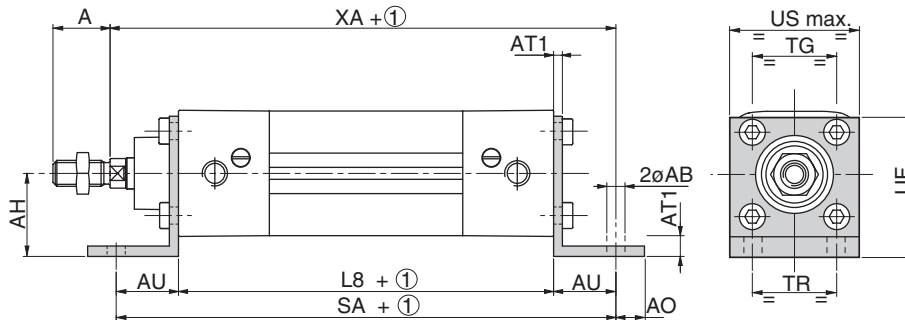
DIMENSIONS

Square feet

Low foot MS1



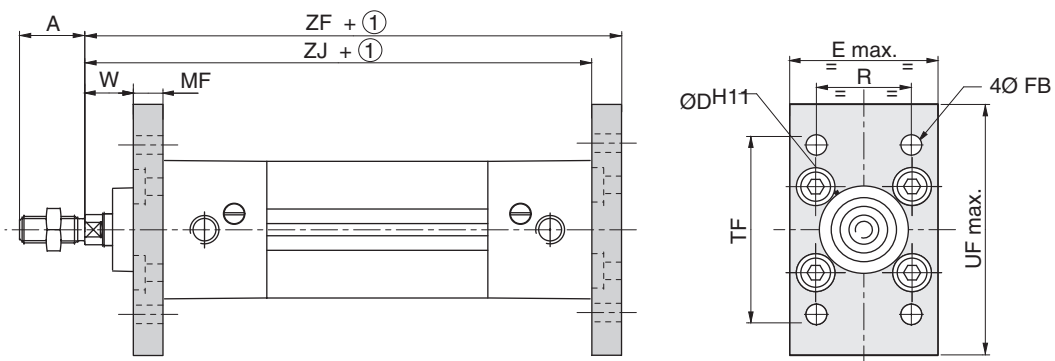
High foot MS3



① : Stroke

∅ (mm)	∅AB	A	AO	AH	AT	AT1	AU	E	TR	TG	UF	US	L8	SA	XA
32	7	22	11	32	4	8	24	50	32	32,5	54	50	94	142	144
40	10	24	15	36	4	8	28	58	36	38	62	58	105	161	163
50	10	32	15	45	5	10	32	70	45	46,5	77	70	106	170	175
63	10	32	15	50	5	10	32	85	50	56,5	87	85	121	185	190
80	12	40	20	63	6	12	41	105	63	72	110	105	128	210	215
100	14,5	40	25	71	6	12	41	130	75	89	130	130	138	220	230
125	16,5	54	25	90	8	16	45	157	90	110	161	157	160	250	270
160	18,5	72	25	115	10	-	60	195	115	140	-	-	180	300	320
200	24	72	35	135	12	-	70	238	135	175	-	-	180	320	345

Rectangular front or rear flange MF1 - MF2



① : Stroke

∅ (mm)	A	∅D	E	∅FB	MF	R	TF	UF	W	ZJ	ZF
32	22	30	50	7	10	32	64	86	16	120	130
40	24	35	58	9	10	36	72	96	20	135	145
50	32	40	70	9	12	45	90	115	25	143	155
63	32	45	85	9	12	50	100	130	25	158	170
80	40	45	105	12	16	63	126	165	30	174	190
100	40	55	130	14	16	75	150	187	35	189	205
125	54	60	157	16	20	90	180	224	45	225	245
160	72	65	195	18	20	115	230	280	60	260	280
200	72	75	238	22	25	135	270	320	70	275	300

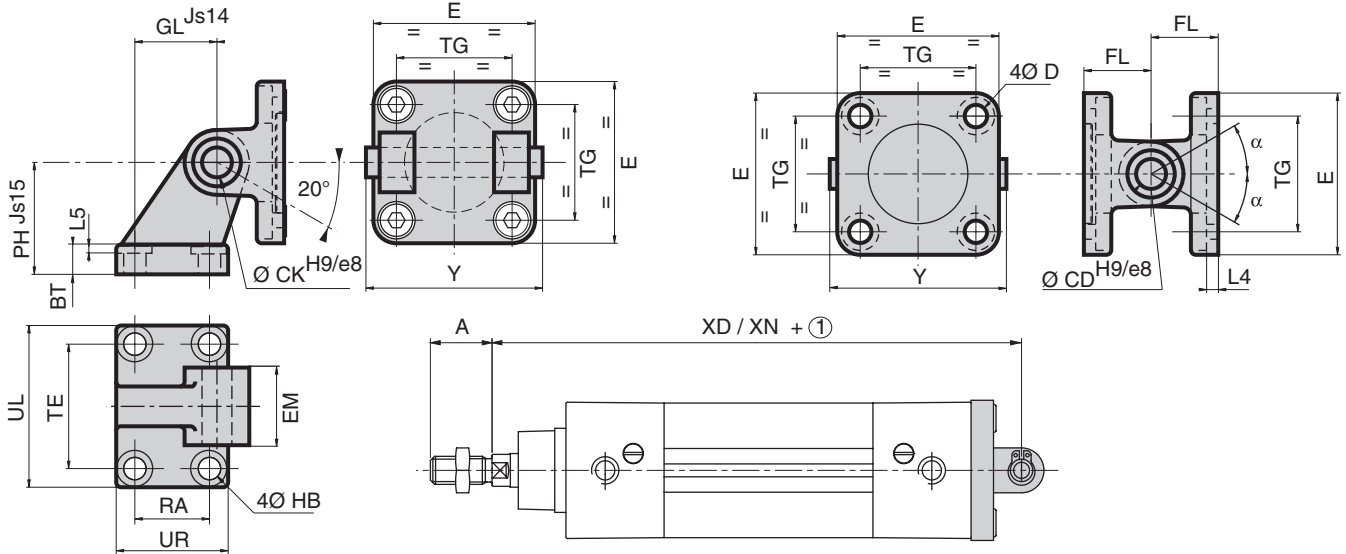
ISO 1552 STANDARDISED MOUNTINGS

DIMENSIONS

Trunnion

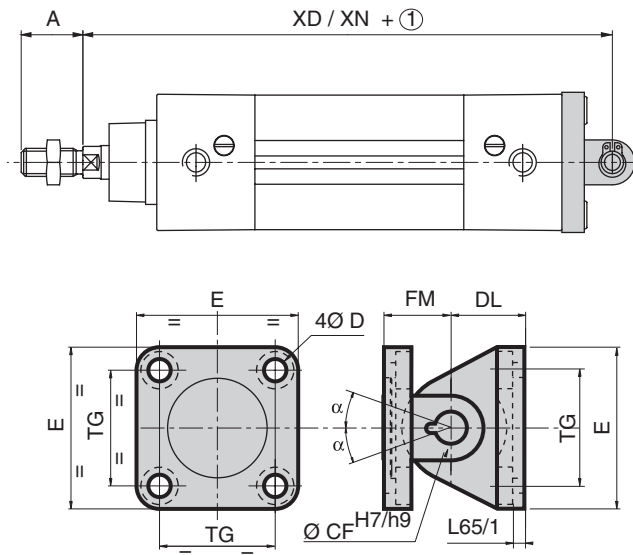
Complete trunnion mounting with angular clevis, MP2 + AB3

Straight complete trunnion mounting, MP2 + MP4



Ø (mm)	BT	CB	CD CK	D	EM	EW	FL	GL	HB	L4	L5	MR max.	PH	RA	TE	TG	UB	UL max.	UR max.	Y	α
32	8	26	10	6,6	26	26	22	21	6,6	5,5	1,6	11	32	18	38	32,5	45	51	31	56	45°
40	10	28	12	6,6	28	28	25	24	6,6	5,5	1,6	13	36	22	41	38	52	54	35	63	50°
50	12	32	12	9	32	32	27	33	9	6,5	1,6	13	45	30	50	46,5	60	65	45	71	40°
63	12	40	16	9	40	40	32	37	9	6,5	1,6	17	50	35	52	56,5	70	67	50	81	55°
80	14	50	16	11	50	50	36	47	11	10	2,5	17	63	40	66	72	90	86	60	101	45°
100	15	60	20	11	60	60	41	55	11	10	2,5	21	71	50	76	89	110	96	70	128	35°
125	20	70	25	14	70	70	50	70	14	10	3,2	26	90	60	94	110	130	124	90	149	30°
160	25	90	30	14	90	90	55	97	14	10	4	31	115	88	118	140	170	156	126	183	30°
200	30	90	30	18	90	90	60	105	18	11	4	31	135	90	122	175	170	162	130	183	30°

Straight complete trunnion mounting, spherical bearing AB6 + MP6



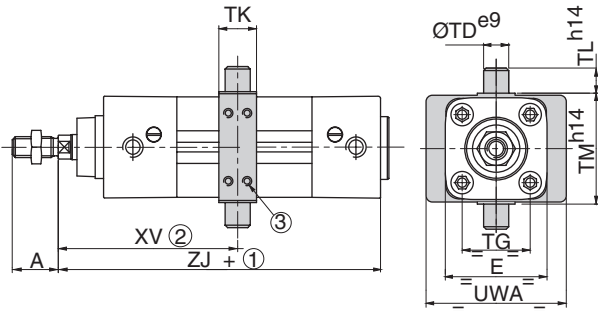
Ø (mm)	ØCF	D	DL FM	E max.	L65/1	TG	α
32	10	6,6	22	50	5,5	32,5	40°
40	12	6,6	25	58	5,5	38	45°
50	16	9	27	70	6,5	46,5	35°
63	16	9	32	85	6,5	56,5	50°
80	20	11	36	105	10	72	40°
100	20	11	41	130	10	89	30°
125	30	14	50	157	10	110	25°
160	-	-	-	-	-	-	-
200	-	-	-	-	-	-	-

ISO 15552 STANDARDISED MOUNTINGS

DIMENSIONS

Trunnion mountings MT4

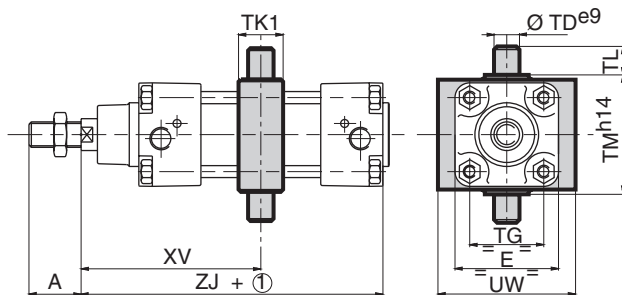
Cylinders with profiled barrel - 453 series



without detectors

Ø mm	XV	
	min.	max.
32	71,5	75 + ①
40	81	84 + ①
50	89,5	91 + ①
63	93,5	102,5 + ①
80	106,5	114,5 + ①
100	116,5	124 + ①

Cylinders with tie rods - 450 series



without detectors

Ø mm	XV	
	min.	max.
32	72	74,5 + ①
40	83	82 + ①
50	89,5	91 + ①
63	93,5	102,5 + ①
80	106,5	114,5 + ①
100	114	126,5 + ①
125	135	155,5 + ①
160	159,5	181 + ①
200	173,5	197 + ①

XV Dimension must be specified when ordering.

① : Stroke

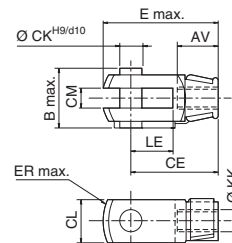
② Except when XV dimension is specified when ordering, the position of the trunnion may be adjusted along the unit. Consequently, the centre trunnion is not screwed on and must be adjusted after delivery

③ 8 locking screws.

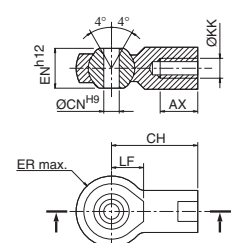
Female rod clevis and spherical rod end

Ø mm	AV AX	B	CE	CH	CK	CL	CM	CN	E	EN	ER	LE	LF	KK
32	20	26	40	43	10	20	10 ^{+0,5} _{+0,15}	10	56	14	14	20	15	M10 X 1,25
40	22	32	48	50	12	24	12 ^{+0,5} _{+0,15}	12	67	16	16	24	17	M12 X 1,25
50	28	41	64	64	16	32	16 ^{+0,5} _{+0,15}	16	89	21	21	32	22	M16 X 1,5
63	28	41	64	64	16	32	16 ^{+0,5} _{+0,15}	16	89	21	21	32	22	M16 X 1,5
80	33	48	80	77	20	40	20 ^{+0,6} _{+0,15}	20	112	25	25	40	26	M20 X 1,5
100	33	48	80	77	20	40	20 ^{+0,6} _{+0,15}	20	112	25	25	40	26	M20 X 1,5

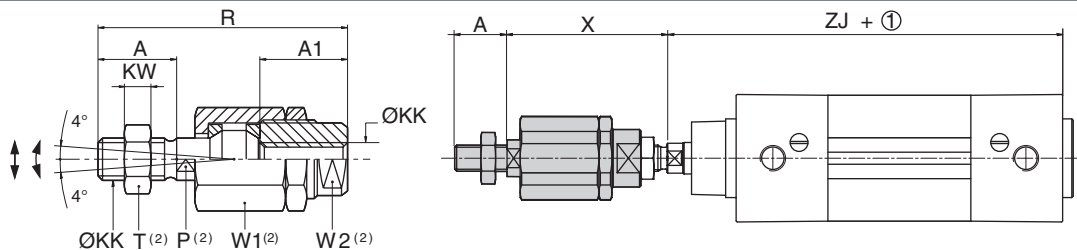
Female rod clevis AP2



Spherical rod end AP6



Alignment compensator



① Stroke

(2) : Width across flats

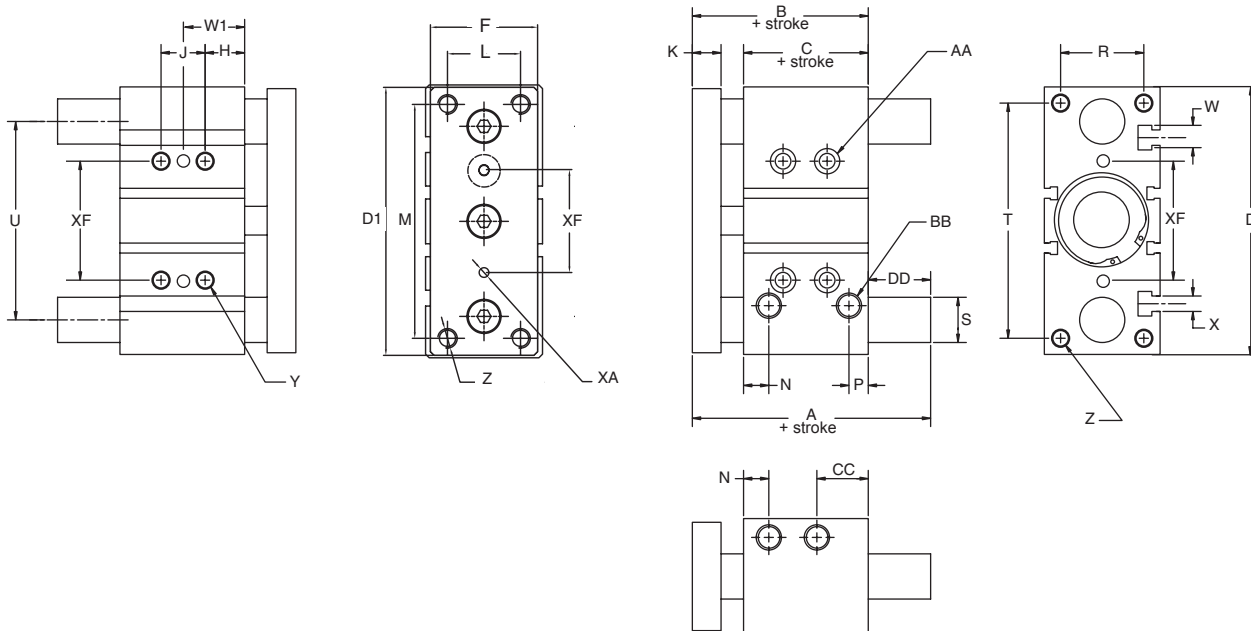
Ø (mm)	A	A1	P(2)	ØKK	KW	R	T(2)	W1(2)	W2(2)	X min.	radial compensation (mm)
32	20	23	12	M10x1,25	6	71	17	30	19	56	0,7
40	24	23	12	M12x1,25	7	75	19	30	19	57	0,7
50	32	32	20	M16x1,5	8	103	24	41	27	79	1
63	32	32	20	M16x1,5	8	103	24	41	27	79	1
80	40	39	20	M20x1,5	10	119	30	41	27	89	1
100	40	39	20	M20x1,5	10	119	30	41	27	89	1
125	54	40	24	M27x2	13,5	147	41	Ø62	54	107	1

• Radial compensation: 0,5 to 1 mm (see table)
• Spherical angular compensation: 4°

NOTE: The compensator is preset with an axial clearance of 0,05 to 0,1 - Do not reset.

GUIDE CYLINDER - CGT series

DIMENSIONS



Ø (mm)	B	C	D	D1	F	H	K	L	M	N	P	R
16	46,0	33,0	64,0	62,0	25,0	5,0	8,0	16,0	54,0	11,0	8,0	22,0
20	53,0	37,0	83,0	81,0	30,0	17,0	10,0	18,0	70,0	10,5	8,5	24,0
25	53,5	37,5	93,0	91,0	38,0	17,0	10,0	26,0	78,0	11,5	9,0	30,0
32	59,5	37,5	112,0	110,0	44,0	21,0	12,0	30,0	96,0	12,5	9,0	34,0
40	66,0	44,0	120,0	118,0	44,0	22,0	12,0	30,0	104,0	14,0	10,0	40,0
50	72,0	44,0	148,0	146,0	60,0	24,0	16,0	40,0	130,0	14,0	11,0	46,0

Ø (mm)	S	T	U	W	X	Y	Z	AA	BB	CC	XA	XF
16	10,0	56,0	46,0	7,40	4,4	M5	M5	4 mm SHCS	M5	18,0	3	24,0
20	12,0	72,0	54,0	8,40	5,5	M6	M5	5 mm SHCS	G 1/8	24,5	3	28,0
25	16,0	82,0	64,0	8,40	5,5	M6	M6	5 mm SHCS	G 1/8	24,0	4	34,0
32	20,0	98,0	78,0	10,50	6,5	M8	M8	6 mm SHCS	G 1/8	30,5	4	42,0
40	20,0	106,0	86,0	10,50	6,5	M8	M8	6 mm SHCS	G 1/8	31,0	4	50,0
50	25,0	130,0	110,0	13,5	8,5	M10	M10	8 mm SHCS	G 1/4	35,0	5	66,0

Ø (mm)	stroke (mm)			
	A	DD	J	W1
16	10-50: 46	10-50: 0	10-30: 24	10-30: 17
	75: 64,5	75: 18,5	40-75: 44	40-75: 27
20	20-50: 53	20-50: 0	20-30: 24	20-30: 29
	75: 84,5	75: 31,5	40-75: 44	40-75: 39
25	20-50: 53,5	20-50: 0	20-30: 24	20-30: 29
	75: 85	75: 31,5	40-75: 44	40-75: 39
32	25-50: 97	25-50: 37,5	25: 24	25: 33
	75: 107	75: 47,5	50-75: 48	40-75: 45
40	25-50: 97	25-50: 41	25: 24	25: 34
	75: 107	75: 64,5	50-75: 48	40-75: 46
50	25-50: 106,5	25-50: 34,5	25: 24	25: 36
	75: 118	75: 46	50-75: 48	40-75: 48

ROUND CYLINDERS

DOUBLE ACTING Ø 12 to 25 mm (435 series)

DOUBLE ACTING Ø 32 to 63 mm (438 series)

ISO 6432 - ISO 6431

equipped for magnetic position detectors



Fluid	air or neutral gas, filtered, lubricated or not
Operating pressure	max. 10 bar
Temperature	-20°C to +70°C (Ø 12 to 25 mm) / -10°C to +70°C (Ø 32 to 63 mm)
Barrel	stainless steel (Ø 12 to 25 mm) - aluminium alloy (Ø 32 to 63 mm)
Tige	stainless steel (Ø 12 to 25 mm) - chrome plated steel (Ø 32 to 63 mm)
Piston seals	PUR (polyurethane)
Cushioning	refer to selection table
Standardisation	Ø 12 to 25 mm: ISO 6432 Ø 32 to 63 mm: ISO 6431
Connection	M5 (Ø 12 to 16 mm) - G1/8 (Ø 20 to 32 mm) G1/4 (Ø 40-50 mm) - G3/8 (Ø 63 mm)

- Mountings integrated in the front and MP4 cap in the rear cover for trunnion mounting
- Compact mounting using threaded cylinder at the front or rear cover

YOUR SELECTION

15-DIGIT PRODUCT CODE

G 435 A - S N - - - - A00

Thread connection
G = ISO 16030

Product series
435

Revision letter
A = Initial release

Diameter (mm)
G = 8
H = 10
J = 12
K = 16
L = 20
M = 25

Rod options 1

S = Double acting
1 = Single acting rod in
2 = Through rod (double acting)
3 = Single acting rod out ⁽¹⁾

⁽¹⁾ Available in bore size: 12, 16, 20 and 25

Rod options 2

N = Stainless steel male thread rod end + rod nut

Options

A00 = Without
CSH = With adjustable pneumatic cushioning ⁽²⁾
AT1 = ATEX zones 1/21
AT2 = ATEX zones 2/22

⁽²⁾ Available in bore size: 16, 20 and 25 (double acting only)

Recommended standard strokes (mm) ⁽⁴⁾

Ø mm	connect. Ø	connect.					max. stroke
		25	50	80	100	160	
8	M5	SD	SD	D	D	-	400
10	M5	SD	SD	D	D	-	400
12	M5	SDO	SDO	D	D	-	400
16	M5	SDO	SDO	D	D	-	400
20	G1/8	SDO	SDO	D	D	D	400
25	G1/8	SDO	SDO	D	D	D	900

⁽⁴⁾ Other strokes on request. / Min. stroke: 5 mm

D = Double acting only / SD = Single & Double acting

SDO = Single acting rod in + Single acting rod out + Double acting

ROUND CYLINDERS - 438 series

YOUR SELECTION

15-DIGIT PRODUCT CODE

G 438 A - S K - - - - A00

Thread connection
G = ISO 16030

Product series
438

Revision letter
A = Initial release

Diameter (mm)
3 = 32 5 = 50
4 = 40 6 = 63

Rod options 1
S = Double acting
1 = Single acting rod in
2 = Through rod (double acting)
3 = Double acting-Stainless steel rod
4 = Double acting-Stainless steel rod-Through rod
5 = Single acting rod in - Stainless steel rod

Rod options 2
K = Hard chromed male thread rod end + rod nut

Options

A00 = Without
NDM = Not equipped for magnetic position detectors
CSH = With adjustable pneumatic cushioning
CSM = NDM + CSH options

Recommended standard strokes (mm) ⁽¹⁾

Ø mm	connect. Ø											max. stroke
		25	50	80	100	160	200	250	320	400	500	
32	G1/8	SD	SD	D	D	D	D	D	-	-	-	1000
40	G1/4	SD	SD	D	D	D	D	D	D	D	-	1000
50	G1/4	SD	SD	D	D	D	D	D	D	D	-	1000
63	G3/8	SD	SD	D	D	D	D	D	D	D	-	1000

⁽¹⁾ Other strokes on request. / Course mini: 5 mm
D = Double acting only / SD = Single & Double acting

OPTIONS AND ACCESSORIES

Standardised mountings
(see page 43)



Position detectors and
mounting kits
(see page 44)



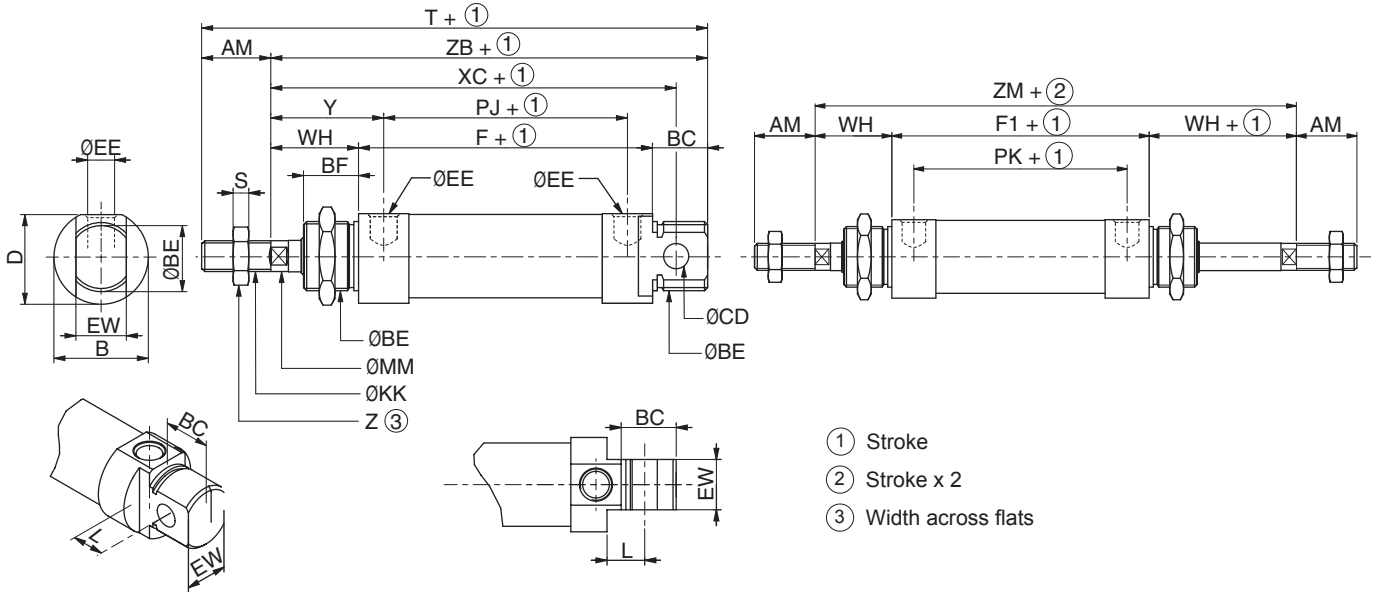
ROUND CYLINDERS - ISOCLAIR type

DIMENSIONS

Cylinders Ø 8 to 25 mm (bare cylinder supplied with neck nut)

Single-rod type cylinders

Through-rod type cylinders



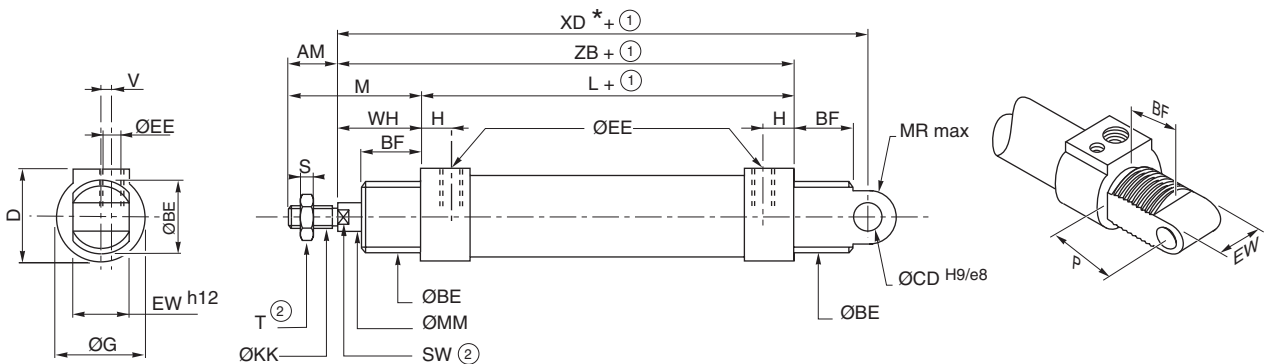
Ø	AM	B	BC	ØBE	BF	ØCD	D	ØEE	EW	F	F1	ØKK	L	MM	PJ	PK	S	T	WH	XC	Y
12	16	19	14	M16x1,5	14	6 H 11	18	M5	12 d 11	48,5	48,5	M6x1	9	6	34,5	34,5	3	100,3	22	75	29
16	16	19	14	M16x1,5	14	6 H 11	18	M5	12 d 11	55	55	M6x1	9	6	41,5	41,5	3	107	22	82	28,5
20	20	27	17,5	M22x1,5	17,5	8 H 11	25,4	G 1/8	16 d 11	63,5	63,5	M8x1,25	12	8	47,3	47,3	4	125	24	95	32
25	22	30	17,5	M22x1,5	17,5	8 H 11	28,5	G 1/8	16 d 11	68,5	68,5	M10x1,25	12	10	52,5	52,5	5	136	28	104	36

Ø	Z	ZB	ZM
12	10	84,5	82,5
16	10	91	99
20	13	105	111,5
25	17	114	124,5

NOTE:

- The mountings are always delivered separately (see page 54)

Cylinders Ø 32 to 63 mm (bare cylinder supplied without neck nut)



Ø mm	AM	BE	BF	CD	D	EE	EW	G	H	KK	L	M	MM	MR	P	S	SW	T	V	WH	XD	ZB
32	22	M 30 x 1,5	16	10	39	G 1/8	26	38	13,5	M10 x 1,25	92	49	12	11	24	5	10	16	3,5	27	143	119
40	24	M 36 x 1,5	19	12	46	G 1/4	28	45	16,5	M12 x 1,25	107	53	18	13	24	6	13	18	4,7	29	160	136
50	32	M 45 x 1,5	③	12	60	G 1/4	32	60	14	M16 x 1,50	110	67	18	13	25,5	8	16	24	5,2	35	170	145
63	32	M 45 x 1,5	23	16	75	G 3/8	40	75,5	17	M16 x 1,50	125	67	22	17	31	8	16	24	5,5	35	191	160

① Stroke

② Width across flats

③ 26,5 mm on front cover, 18,5 mm on rear cover

(*) +25 mm for single acting cylinders, stroke 50 mm

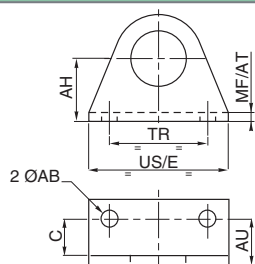
ROUND CYLINDERS - ISOCLAIR type

YOUR SELECTION (MOUNTINGS supplied with mounting screws)

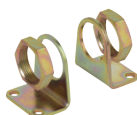
High foot MS3 ⁽¹⁾ per unit / ⁽²⁾ set of 2 items



Ø mm	
12-16	P493AJ425000A00 ⁽¹⁾
20-25	P493AL425000A00 ⁽¹⁾



Ø mm	AB	AH	AU	C	MF AT	TR	US E
12-16	5,5	20	14	10	4	32	42
20-25	6,6	25	17	12	5	40	54
32	7	32	25	22	3	32	45
40	9	36	27	24	3	36	52
50	9	45	30	26	4	45	75
63	9	50	30	26	4	50	75

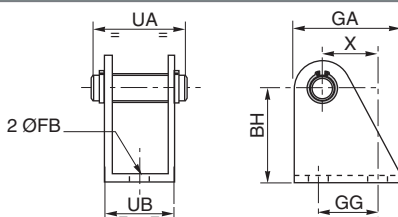


32	P493A3325000A00 ⁽²⁾
40	P493A4325000A00 ⁽²⁾
50	P493A5325000A00 ⁽²⁾
63	P493A6325000A00 ⁽²⁾

Rear trunnion



Ø mm	
12-16	P493AJ42C000A00
20-25	P493AL42C000A00

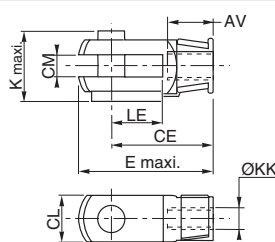


Ø mm	BH	FB	GA	GG	UA	UB	X
12-16	27	5,5	25	16	25	18	13,5
20-25	30	6,6	32	20	32	24	16

Female rod clevis (ISO 8140 - RP 102P) AP2



Ø mm	
12-16	P493AJ431000A00
20	P493AL431000A00
25-32	P493A3131000A00
40	P493A4131000A00
50-63	P493A5131000A00

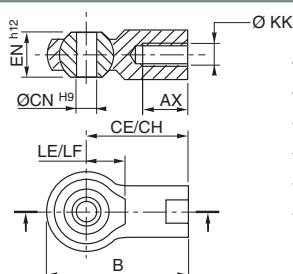


Ø mm	AV	CE	CM	E	K	KK	LE CL
12-16	12	24	6	33,5	16,5	M6	12
20	16	32	8	45	22	M8	16
25-32	20	40	10	56	26	M10	20
40	22	48	12	67	32	M12	24
50-63	28	64	16	89	41	M16	32

Spherical rod end (ISO 8139 - RP 103P) AP6



Ø mm	
12-16	P493AJ432000A00
20	P493AL432000A00
25-32	P493A3132000A00
40	P493A4132000A00
50-63	P493A5132000A00

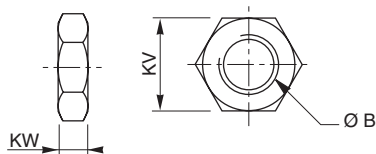


Ø mm	AX	B	CE CH	CN	EN	KK	LE LF
12-16	12	40	30	6	9	M6	11
20	16	48	36	8	12	M8	13
25-32	20	57	43	10	14	M10	15
40	22	66	50	12	16	M12	17
50-63	28	85	64	16	21	M16	22

Neck nut MR3



Ø mm	
12-16	P493AJ42F000A00
20-25	P493AL42F000A00
32	P493A332F000A00
40	P493A432F000A00
50-63	P493A532F000A00



Ø mm	B	KV	KW
16	M 16 x 1,5	19	4
20-25	M 22 x 1,5	27	5
32	M 30 x 1,5	35	10
40	M 36 x 1,5	42	10
50-63	M 45 x 1,5	60	12

MAGNETIC POSITION DETECTORS

REED SWITCH - MAGNETO-RESISTIVE TYPE

for cylinders with "T" slot



	REED 2 wires	MR 3 wires
Switching power ratings (max.)	5 W / 5 VA	3 W
Switching voltage	wires	5 to 120 VDC/AC
	M12	5 to 50 V AC/5 to 60 V DC
Max. switching current	100 mA	
Max. voltage drop	< 5 V	< 2,5 V
Insulation resistance	< 0,2 mm	
Operating temperature	-25°C to +70°C	-25°C to +85°C
Degree of protection	IP 67	
Certification	CE	CE
		UL et cUL (2m - M8)
Signalisation	by yellow diode (LED) when the contact is closed	

- A universal detector for a large range of cylinders and actuators (tie-rod cylinders, profiled, round ...)
- Resistant to severe conditions: short-circuits, vibrations, shocks...
- LED signalisation
- Fastened using standard screwdriver

YOUR SELECTION

connection / connector	visual	connection		detector (directly adaptable to cylinders with "T" slot)		
		REED 2 wires polarised	MR 3 wires (polarised)	code		
				REED 2 wires	MR 3 wires	
PUR cable, 2 or 5 m long, wires 0,14 mm ² , stripped ends and tinned				2 m	P494A0021300A00	P494A0022300A00
				5 m	P494A0021100A00	P494A0022100A00
PUR cable, 0,3 m long + male connector, Ø M8 - 3 pins					P494A0021500A00	P494A0022600A00
PUR cable, 0,3 m long + screw-type male connector Ø M12 - 3 pins					P494A0021700A00	P494A0022800A00
3 pin screw-type male connector Ø M8					P494A0021400A00	P494A0022500A00

MOUNTING KITS (for round cylinders or cylinders with tie rods)

cylinder type	visual	cylinder Ø mm	code for T detectors	code for M8 detector	cylinder type	visual	cylinder Ø mm	code for T detectors	
								plastic	stainless steel
tie rods - PES 450		32-40	P494A3129200A00		round - ISOCLAIR		12	P494AJ129300A00	P494AK129600A00
		50-63	P494A5129200A00	P499A2440617A00			16	P494AK129300A00	P494AK129600A00
		80-100	P494A8129200A00				20	P494AL129300A00	P494AL129600A00
		125-					25	P494AM129300A00	P494AL129600A00
		160-200	P494AP129200A00	-			32	P494A3129300A00	P494A3129600A00
				40	P494A4129300A00	P494A4129600A00			
				50	-	P494A5129600A00			
				63	-	P494A6129600A00			

OPTIONS AND ACCESSORIES

PVC extension cord, length 5 m, 3-wire conductors 0.25 mm ² with 1 screw-type female M8 connector (other end plain) blue wire not used (REED) - IP67		brown blue black	= 1 = 3 = 4		P4994406200N001
PVC extension cord, length 5 m, 3-wire conductors 0.25 mm ² with 1 screw-type female M12 connector (other end plain) blue wire not used (REED) - IP67		brown blue black	= 1 = 3 = 4		P4994406210N001
straight 3-pin female connector Ø M8, IP67					P4994406220N001

VALVES

electropneumatic interfaces

series 304

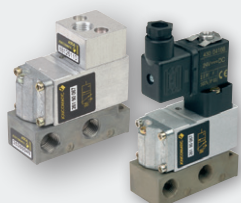


1

page 51

poppet valves (high flow, fast response times)

series 261-262



2-3

series 263-264



4-5

pages 52-55

series 284

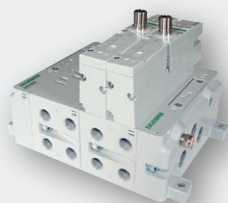


6

ISO standard spool valves

ISO 15407-1 - size 01 (26 mm)

series 503

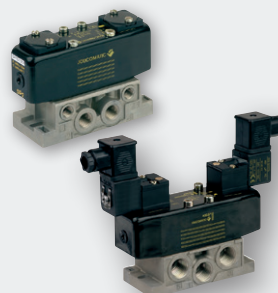


7 page 56

pages 56-59

ISO 5599-1 - sizes 1-2-3

series 541-542-543



8

pages 60-64

mini spool valves

series 519-520-521



9

pages 65-67

spool valves, threaded G 1/4, integral pilots

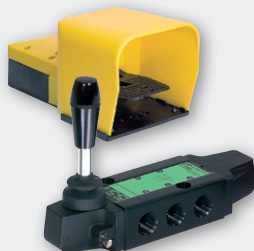
series 551



10

pages 68-70

spool valves
manually operated
series ZF2F-551



11

pages 71-72

microvalves
manually operated
series 307



12

page 73

microvalves
mechanically operated
series 308-309-310-550-551



13

page 74-75

mini spool valves
mechanically operated
series 550



14

page 76

VALVES

YOUR SELECTION

standards			pilot			body		connection Ø G							construction		max. pressure bar	flow at 6 bar l/min (ANR)	visual	series	page						
ISO 15407-1	ISO 15407-2	ISO 5599/1	solenoid	pneumatic	manual	subbase-mounted	tapped	M3	M5	1/8	1/4	3/8	1/2	3/4	1	1 1/2						NAMUR interface	instant fitting 4 mm OD	instant fitting 6-8 mm OD	poppets	spool type	
3/2																											
			●							●									●	●		8	154	1	304	51	
			●	●			●			●											●		8	400	10	520	65
			●	●			●				●									●		10	700	2-3	261	52	
			●	●			●					●								●		10/12	1750		262		
				●			●						●										3000	266			
				●			●							●									9100	267			
			●				●					●	●							●		10/12	4500/6000	6	284		
			●	●			●							●	●								12500	285			
			●	●			●									●							35000	286			
				●			●					●									●			860	10		551
				●			●					●									●		8/10	860	11	551	71
				●			●					●							●					112	12	307	73
				●			●					●							●				8	140	13	308	74
				●			●					●							●					280		309	
				●			●					●							●				10	200	550		
				●			●					●							●				10	860	551		
				●			●					●								●			10	200	14	550	76
4/2																											
			●							●									●	●		8	154	1	304	51	
			●	●			●				●									●		10	700	2-3	261	52	
			●	●			●					●								●		10/12	1750		262		
			●	●			●						●						●			10	210	4-5	263		
			●	●			●						●						●				840	264			
				●			●							●										2940	6	266	52
				●			●								●									9100	267	52	
5/2-5/3																											
●	●		●				●														●	10	1200	7	503	56	
			●	●			●				●	●									●			1400	8	541	60
			●	●			●					●	●								●		12	2800		542	
			●	●			●						●	●							●			4200	543		
			●	●			●							●	●						●		6300/7000	544			
			●	●			●			●											●			175	519	65	
			●	●			●				●										●		8	600	9		520
			●	●			●					●									●			1050	521	68	
			●	●			●					●									●		10	860	10		551
				●			●																	600	11	ZF2F	71
				●			●														●		10	860		551	
				●			●														●		10	200	14	550	76

MINI PILOT SOLENOID VALVES

302 series

3/2 NC

subbase mounted

CNOMO size 15 mounting pad



Fluids	air or inert gas, filtered, lubricated or not	
Differential pressure	refer to selection table	
Fluid temperature	-10°C to +40°C	
Ambient temperature	-10°C to +50°C	
Body	Technical polymers	
Sealings	NBR (nitrile), PUR (polyurethane) and FPM	
Standard voltages	DC (=)	24V
	AC (~)	24V - 48V - 115V - 230V / 50 Hz

- Very low power consumption
- M12 integrated electrical connection, metal, reliable and robust, IP67 protection
- Version with integrated LED indicator visible from 3 sides

YOUR SELECTION

current	orifice size	differential pressure	voltage	power		solenoid valve (M) code (1)	standard voltages (V)				connector
				~	=		AC (~) / 50Hz			DC(=)	
							24	48	115		



+



or



standard or with 2 m cable

~/=	mm	bar	V	VA	W	▼ ●		standard	with 2 m cable
3/2 NC - version without connector - intended for connector size 15 - centre distance 9,4 mm (2)									
=	0,8	0...8	24	-	1,2	30211112--P	30211113--P	✓	88143567
	1,1	0...10	24	-	2,65	30211122--P		✓	88143581
	0,6	0...10	24	-	1,2	30211109--P		✓	88143580 (with LED and EP)
3/2 NC - version without connector - intended for connector size 15 - centre distance 8 mm (3)									
=	0,8	0...8	24	-	1,2	30210112--P		✓	88130211



3/2 NC - version with connector size 15 - centre distance 9,4 mm (2)									
	0,8	0...8	24	-	1,2	30211112--D	30211113--D	✓	supplied
	1,1	0...10	24	-	2,65	30211122--D		✓	
	1,5	0...6	24	-	2,65	30211127--D		✓	
	0,6	0...10	24	-	1,2	30211109--D		✓	



~/=	mm	V	VA	W	▼		connector
3/2 NC - M12 version with integrated LED and protection - intended for M12 connector							
=	0,6	0...10	-	-	-	30212109--P	✓ not supplied

(M) Manual operator ● : with maintained manual operator ▼ : with impulse manual operator

(1) When ordering, please specify in addition to the code: voltage / frequency,

Examples: 30211112--P 24V DC

(2) DIN 43650, 9,4 mm, form C

(3) ISO 15217 /DIN 43650, 8 mm, form C

OPTIONS AND ACCESSORIES

single M5 threaded subbase

Mating surface blanking plate

88263002



88130203

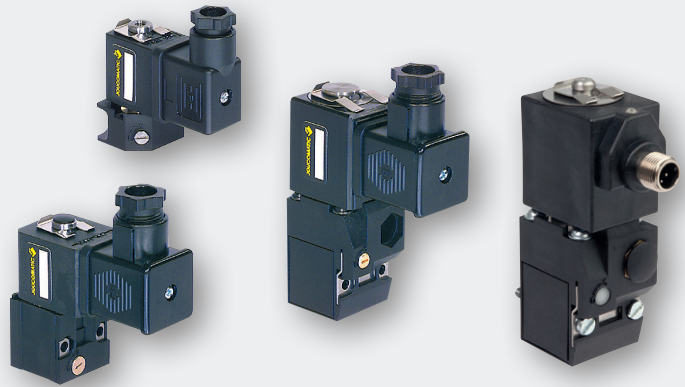
www.asconumatics.eu

PILOT SOLENOID VALVES

3/2 NC

subbase mounted

CNOMO size 30 mounting pad



Series	189	190	192
Fluids	air or inert gas, filtered, lubricated or not		
Differential pressure	0 to 10 bar		0 to 12 bar
Fluid temperature	-10°C to +60°C		
Ambient temperature	-10°C to +60°C		
Body	Technical polymers		
Sealings	NBR (nitrile), PUR (polyurethane)		
Standard voltages	DC (=)	24V (M12 connection)	
	DC (=)	24V - 48V	
	AC (~)	24V - 48V - 115V - 230V / 50 Hz	

- Different electrical connections (CNOMO or M12)
- Rotatable coil (4 positions at 90° intervals)
- Reduced power consumption
- Connectable exhaust

YOUR SELECTION

orifice size mm	power		solenoid valve (M) code (1)	(M)	standard voltages (V)						connector			
	~ VA	= W			AC (~) / 50Hz				DC(=)		standard code	with 2 m cable code	with built-in visual indicator and protection	
					24	48	115	230	24	48			voltage	code

3/2 NC - version without connector, size 22 (2)

1,2	3,5	2,5	18900002	●	✓	✓	✓	✓	✓	88122404	88122413	24V =/~	88122405
												48V ~	88122406
												115V ~	88122407
												230V ~	88122410

3/2 NO - version without connector, size 22 (2)

1,2	3,5	2,5	18900011	●	✓	✓	✓	✓	✓	88122404	88122413	24V =	88122405
-----	-----	-----	----------	---	---	---	---	---	---	----------	----------	-------	----------

3/2 NC - version with connector, size 22 (2)

1,2	3,5	2,5	18900001	●	✓	✓	✓	✓	✓	supplied	-	-	-
1,2	3,5	2,5	18900007	×					✓				

3/2 NC - version with connector, size 22, with visual indicator and electrical protection (2)

1,2	3,5	2,5	18900019	●					✓				supplied
1,2	3,5	2,5	18900018	●			✓						

3/2 NO - version with connector, size 22 (2)

1,2	3,5	2,5	18900010	●	✓	✓	✓	✓	✓	supplied	-	-	-
-----	-----	-----	----------	---	---	---	---	---	---	----------	---	---	---

3/2 NC - version with connector, size 30 (3)

1,6	4	3	19000005	×	✓	✓	✓	✓	✓				
1,6	4	3	19000006	●	✓	✓	✓	✓	✓	supplied	-	-	-
1,6	4	3	19000017	▼	✓	✓	✓	✓	✓				
1,6	4	3	19000008	■	✓	✓	✓	✓	✓				

3/2 NC - version with connector, size 30, with exhaust to the subbase (3)

2,1	10	7	19201001	×	✓	✓	✓	✓	✓				
2,1	10	7	19201002	●	✓	✓	✓	✓	✓	supplied	-	-	-
2,1	10	7	19201003	▼	✓	✓	✓	✓	✓				

3/2 NC - version with connector, size 30, with exhaust 1/8 to the front side (3)

2,1	10	7	19201007	×	✓	✓	✓	✓	✓				
2,1	10	7	19201008	●	✓	✓	✓	✓	✓	supplied	-	-	-
2,1	10	7	19201009	▼	✓	✓	✓	✓	✓				

3/2 NC - version with connector with visual indicator (LED) and electrical protection (RC), size 30 (3)

1,6	4	3	19000021	●		✓							supplied
1,6	4	3	19000022	●	✓			✓	✓				

(M) Manual operator X : without ● : with maintained manual operator ▼ : with impulse manual operator ■ : with button
 (1) When ordering, please specify in addition to the code: the type of current, voltage / frequency - Examples: 18900001 24V DC
 (2) DIN 43650, 11 mm, industry standard B (3) ISO 4400 / EN 175301-803, form A

PILOT SOLENOID VALVES

YOUR SELECTION

orifice size mm	power		solenoid valve (M) code (1)	(M)	standard voltages (V)						connector			
	~ VA	= W			AC (~) / 50Hz				DC(=)		standard code	with 2 m cable code	with built-in visual indicator and protection	
					24	48	115	230	24	48			voltage	code



+



or



or



3/2 NC - version without connector, size 30 (3)

1,6	4	3	19000013	×	✓	✓	✓	✓	✓	88122404	88122612	24V =/~	88122603
1,6	4	3	19000014	●	✓	✓	✓	✓	✓			48V ~	88122604
1,6	4	3	19000018	▼	✓	✓	✓	✓	✓			115V ~	88122605
1,6	4	3	19000016	■	✓	✓	✓	✓	✓			230V ~	88122608

3/2 NC - version without connector, size 30, with exhaust to the subbase (3)

2,1	10	7	19201022	×	✓	✓	✓	✓	✓	88122404	88122612	24V =/~	88122603
2,1	10	7	19201023	●	✓	✓	✓	✓	✓			48V ~	88122604
2,1	10	7	19201024	▼	✓	✓	✓	✓	✓			115V ~	88122605
2,1	10	7	19201024	▼	✓	✓	✓	✓	✓			230V ~	88122608

3/2 NC - version without connector, size 30, with exhaust 1/8 to the front side (3)

2,1	10	7	19201028	×	✓	✓	✓	✓	✓	88122404	88122612	24V =/~	88122603
2,1	10	7	19201029	●	✓	✓	✓	✓	✓			48V ~	88122604
2,1	10	7	19201030	▼	✓	✓	✓	✓	✓			115V ~	88122605
2,1	10	7	19201030	▼	✓	✓	✓	✓	✓			230V ~	88122608



3/2 NC - version with M12 connection, with exhaust to the subbase

2,1	10	7	19201136	×	✓	✓	✓	✓	✓	not supplied	-	-
2,1	10	7	19201137	●	✓	✓	✓	✓	✓			
2,1	10	7	19201138	▼	✓	✓	✓	✓	✓			

3/2 NC - version with M12 connection, with exhaust G 1/8 to the front side

2,1	10	7	19201142	×	✓	✓	✓	✓	✓	not supplied	-	-
2,1	10	7	19201143	●	✓	✓	✓	✓	✓			
2,1	10	7	19201144	▼	✓	✓	✓	✓	✓			

instant fittings subbase (polyamide 6/6)



1 single subbase	OD 4 mm instant fittings	35300069
1 joinable subbase	OD 4 mm instant fittings	35300070
set of 2 joinable end subbases, pressure inlet on right side, OD 6 mm instant fittings	OD 6 mm instant fittings	35300071

threaded subbase (zamak)



laterally-connected single subbase	threaded G 1/8	35300047
laterally-connected joinable subbase	threaded G 1/8	35300048
laterally-connected single subbase (3 connectable lateral ports)	threaded G 1/4	35300049
laterally-connected joinable subbase (3 connectable lateral ports)	threaded G 1/4	35300057

replacement coils - see page 111

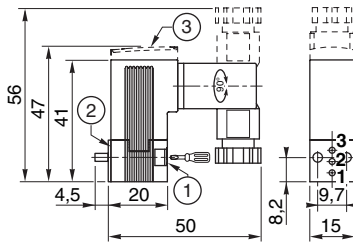
- (M) Manual operator × : without ● : with maintained manual operator ▼ : with impulse manual operator ■ : with button
 (1) When ordering, please specify in addition to the code: the type of current, voltage / frequency - Examples: 19201136 24V DC
 (2) DIN 43650, 11 mm, industry standard B (3) ISO 4400 / EN 175301-803, form A

PILOT SOLENOID VALVES

DIMENSIONS

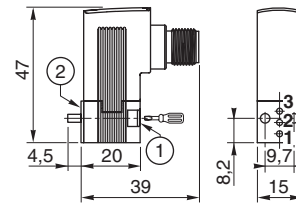
Solenoid valves

miniature solenoid valve (series 302)
pad mount, CNOMO size 15 - connector size 15

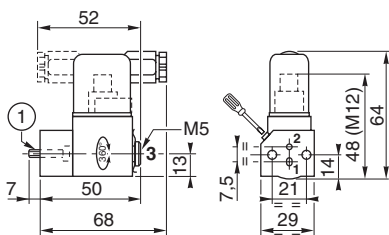


- ① 2 mounting screw M3 x 20 (supplied)
- ② seal (supplied)
- ③ Version with LED and electrical protection

miniature solenoid valve (series 302)
pad mount, CNOMO size 15 - M12 connector

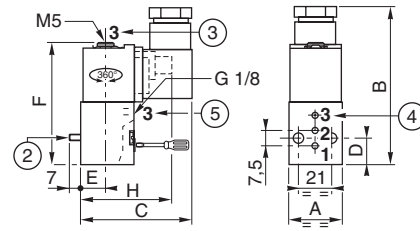


solenoid valve (série 189)
pad mount, CNOMO size 30



- ① Mounting: two CM4x20 screws (supplied)
- ② Mounting: two CM4 x 33,5 screws (supplied)
- ③ Series 190
- ④ Series 192 with exhaust in the mounting pad
- ⑤ Series 192 with exhaust on front side

solenoid valves (series 190 - 192)
pad mount, CNOMO size 30



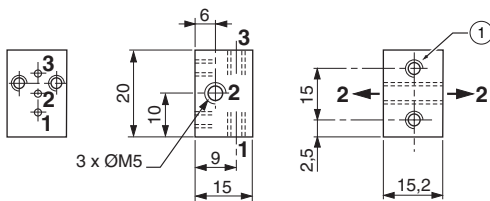
series	A	B	C	D	E	F	H
190	30	83	73	15	16,5	66	60
192	30	105	71	15	15,5	91	-

(190 M12)

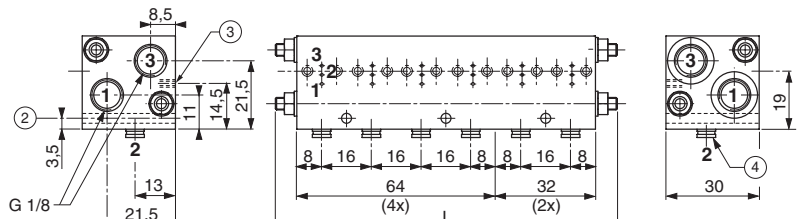
Subbases

CNOMO size 15 subbases (miniature solenoid valve, series 302)

single M5 threaded subbase



joinable sub-bases with instant fittings



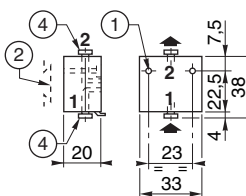
- ① 2 mounting holes Ø M3, depth 4,5 mm
Outlet port (2) can be connected on the left or the right side of the subbase.

- ② Fixing hole Ø 3,2 (2 for 4x ; 1 for 2x)
- ③ Fixing hole M3, depth 8 (2 for 4x ; 1 for 2x)
- x = Mounting pad for miniature solenoid valve
- 2 G/8 plugs supplied
- ④ with instant fittings for tube Ø 4 mm O.D.

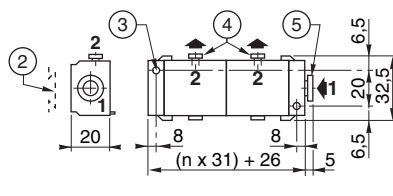
x	subbases	L
2	2x	-
4	4x	-
6	4x + 2x	110
8	4x + 4x	142
10	4x + 4x + 2x	174

CNOMO size 30 subbases (solenoid valves, series 189 - 190 - 192)

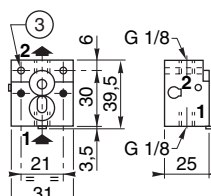
single subbase - instant fittings



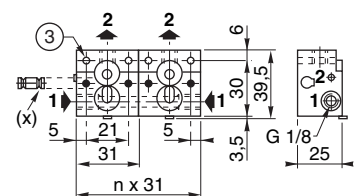
joinable sub-bases with instant fittings



single subbase - threaded



joinable subbase - threaded



- ① two dia. 3,5 mm securing holes, dia. 6,5 mm counter-bores, depth 3,5 mm
- ② Adaptable clips
- ③ 2 mounting holes 4,5 mm dia.
- ④ with instant fittings for tube Ø 4 mm O.D.
- ⑤ with instant fittings for tube Ø 6 mm O.D.
- n = number of subbases
- (x) the joinable subbases are supplied with sealings and screws for battery-type mounting

- Ports**
- 1: Pressure
 - 2: Utilisation
 - 3: Exhaust
- ☞ manual operator

ELECTRO-PNEUMATIC INTERFACES

3/2 - 4/2

solenoid air operated
with instant fittings for tube Ø 4 mm O.D.



Fluids	air or inert gas, filtered, lubricated or not
Operating pressure	3 to 8 bar
Pilot pressure	internal piloting
Ambient temperature	-10°C to +40°C
Flow (Qv at 6 bar) (ANR)	154 l/min
Assembly	on joinable subbases, which can be mounted on DIN rail EN 50022
Connection	with instant fittings for tube Ø 4 mm O.D.
Solenoid valve	miniature solenoid valve 3/2 NC with low power consumption
Standard voltages	DC (=) 24V
	AC (~) 24V
Power	1,6 VA (~) / 1,3 W (=)

- Modular joinable valves with instant fittings for fast assembly
- Integrated electrical connection for simplified wiring
- Low power consumption (1,29 W)
- Visualisation: LED integrated on solenoid pilot and pressure indicator on valve

YOUR SELECTION

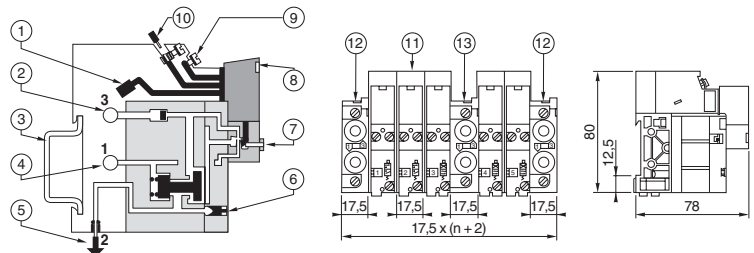
	set of 2 end subbases (for Ø 6 mm OD tube)	instant fittings subbase (for Ø 4 mm OD tube)	instant fittings subbase (for Ø 6 mm OD tube)	pneumatic module		solenoid pilot valve (1)	
	code	code	code	code	code	(M) ~/= with LED code	without LED code
3/2 NC or 4/2		30400001	30400011	30400024	30400007 30400008	▼ = 30215178--P ▼ ~ 30215178--L ● = 30215179--P	30211178--P - 30211179--P

(M) Manual operator ● : with maintained manual operator ▼ : with impulse manual operator
(1) When ordering, please specify in addition to the code: the type of current, voltage / frequency

DIMENSIONS

- n = number of subbases
- ① common supply tag
- ② common exhaust
- ③ symmetrical DIN rail EN 50022
- ④ supply pressure
- ⑤ pneumatic signal
- ⑥ optical position indicator
- ⑦ manual operator

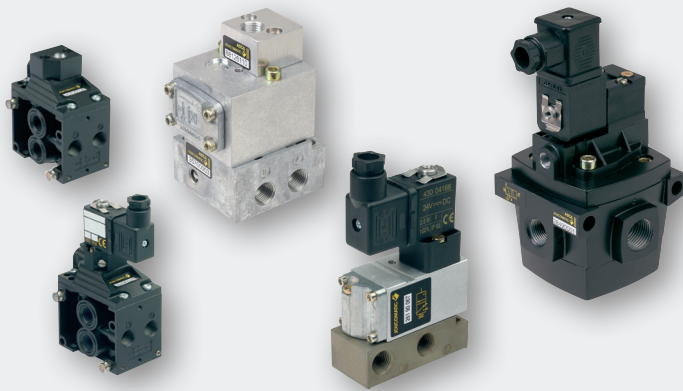
- ⑧ display of electrical signal
- ⑨ earth
- ⑩ electrical signal:
- common (A2)
- control signal (A1)
- ⑪ pneumatic module
- ⑫ end subbases
- ⑬ intermediate module for 2 inputs with different pressures



(pressure supply 1 directed to the right)

OPTIONS AND ACCESSORIES

Pilot solenoid valve with integrated visual indicator and protection



POPPET VALVES


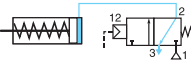
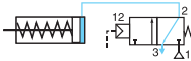
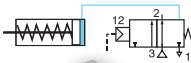
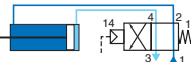
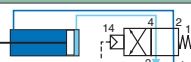
3/2 - 4/2

air operated or solenoid air operated
 threaded, G 1/8 to G 1 1/2
 subbase mounted, G 1/4 to G 1
 with instant fittings for tube Ø 6 mm O.D.

Series	261-262	263-264	266-267	284	285-286
Fluids	air or inert gas, filtered, lubricated or not				
Operating pressure	Air.	2 to 12 bar	2 to 10 bar	2 to 16 bar	2 to 12 bar
	Sol air	2 to 10 bar (189 - 190 pilots) - 2 to 12 bar (192 pilot)			
Ambient temperature	-10°C to +60°C				
Flow (Qv at 6 bar) (ANR)	210 up to 35000 l/min (refer to selection table)				
Body	light alloy, treated	zamak	zamak	zamak	light alloy
Sealings	NBR (nitrile)	•	•	•	•
	PUR (polyurethane)	•		•	
Standard voltages	DC (=)	24V			
	AC (~)	24V - 48V - 115V - 230V / 50Hz			

- Poppet valve suitable for individual or joined mounting
- Possibility to combine two sizes in the same assembly
- Short response times for high cycle applications
- Optional flow regulator to optimise the pneumatic cabling

YOUR SELECTION

	pipe size	flow at 6 bar (ANR)	valve	air pilot (1)	subbase (connection)
=		l/min	code	code	type
3/2 NC - air operated - subbase mounted - spring return					
	G 1/4	700	26190067	88126110	single (side) joinable (side)
	G 1/4	700	26190068	88126110	single (side) joinable (bottom)
	G 3/8	1750	26290352	88126110	single (side)
	G 1/2	3000	26690001	88128408	single (side)
	1	9100	26790001	88128408	-
3/2 NC - air operated - tapped body					
	3/8	4500	28490001	88128408	-
	1/2	6000	28490002	88128408	-
	3/4	12500	28590213	88128408	-
	1	12500	28590215	88128408	-
	1 1/2	35000	28690023	-	-
3/2 NO - air operated - tapped body					
	1/2	6000	28490005	88128408	-
4/2 - air operated - subbase mounted - spring return					
	G 1/4	700	26190069	88126110	single (side)
	G 3/8	1750	26290354	88126110	single (side)
	G 1/2	2940	26690003	88128408	single (side)
	G1	9100	26790002	88128408	single (side)
4/2 - air operated - tapped body - spring return					
	G 1/8	210	26390002	88126401	-
	G 1/4	840	26490026	88126401	-

(1) the pilot pressure must be equal or superior to the operating pressure

POPPET VALVES

YOUR SELECTION

=	pipe size	flow at 6 bar (ANR)	valve	pilot solenoid valve (1)				subbase (connection)			
				code	VA	W	(M)	connector	type	code	
3/2 NC - solenoid air operated - subbase mounted - spring return											
	G 1/4	700	26190067 + 1 x	18900001	3,5	2,5	●	size 22 (2)	single (side) joinable (bottom)	35300049 (4) 35300057 (4)	
				19000006	4	3	●	size 30 (3)			
				19000017	4	3	▼	size 30 (3)			
	G 3/8	1750	26290352 + 1 x	18900001	3,5	2,5	●	size 22 (2)	single (side)	35700002	
19000006				4	3	●	size 30 (3)				
G 3/8	1750	26290353 + 1 x	18900001	3,5	2,5	●	size 22 (2)	single (side)	35700002		
			19000006	4	3	●	size 30 (3)				
G 1/2	3000	26690018 + 1 x	19000006	4	3	●	size 30 (3) form A	single (side)	35700014		
			19000017	4	3	▼					
			19201002	6	5	●					
G 1/2	3000	26690018 + 1 x	19201003	6	5	▼	size 30 (3) form A	single (side)	35700014		
			19000006	4	3	●					
			19000017	4	3	▼					
3/2 NC - solenoid air operated - tapped body - spring return											
G 3/8	4500	28490040 + 1 x	19000006	4	3	●	size 30 (3)				
			19000017	4	3	▼					
G 1/2	6000	28490041 + 1 x	19000006	4	3	●	size 30 (3)				
			19000017	4	3	▼					
G 3/4	12500	28590238 + 1 x	19000006	4	3	●	size 30 (3)				
			19000017	4	3	▼					
G 1	12500	28590239 + 1 x	19000006	4	3	●	size 30 (3)				
			19000017	4	3	▼					
G 1 1/2	35000	28690026 + 1 x	19000006	4	3	●	size 30 (3)				
			19000017	4	3	▼					
3/2 NO - solenoid air operated - tapped body - spring return											
	G 1/2	6000	28490043 + 1 x	19000006	4	3	●	size 30 (3) form A			
				19000017	4	3	▼				
				19201002	6	5	●				
				19201003	6	5	▼				
4/2 - solenoid air operated - subbase mounted - spring return											
	G 1/4	700	26190069 + 1 x	18900001	3,5	2,5	●	size 22 (2) size 30 (3)	single (side)	35700003 35700004	
				19000017	4	3	▼				
G 3/8	1750	26290354 + 1 x	18900001	3,5	2,5	●	size 22 (2) size 30 (3)	single (side)	35700004		
			19000017	4	3	▼					
4/2 - solenoid air operated - subbase mounted - spring return											
	G 1/2	3000	26690017 + 1 x	19000017	4	3	▼	size 30 (3) size 30 (3)	single (side)	35700018 35700020	
				19201002	6	5	●				
1	9100	26790013 + 1 x	18900001	3,5	2,5	●	size 22 (2) size 30 (3)	single (side)	35700020		
			19000017	4	3	▼					
4/2 - solenoid air operated - instant fittings / tapped - spring return											
	2-4: instant fittings Ø 6 mm O.D.		210	26390005	18900001	3,5	2,5	●	size 22 (2) form B		
	1-3: G 1/8										
	G 1/8	210									26390002
	G 1/4	840									26490026

(M) Manual operator ● : with maintained manual operator ▼ : with impulse manual operator

(1) When ordering, please specify in addition to the code: the type of current, voltage / frequency

(2) DIN 43650, 11 mm, industry standard B (3) ISO 4400 / EN 175301-803, form A

(4) These subbases can be directly mounted on symmetrical EN 50022 - AFNOR NF C63015 standard rail using 1 mounting clip (clips sold in packets of 10 - code: 33400036)

POPPET VALVES

OPTIONS AND ACCESSORIES

Module with 2 flow regulators, joinable for:

- valve 263 (G 1/8) - code: **34600209**
- valve 264 (G 1/4) - code: **34600109**

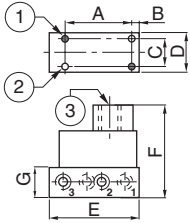


DIMENSIONS

DIMENSIONS 261-262

Air operated

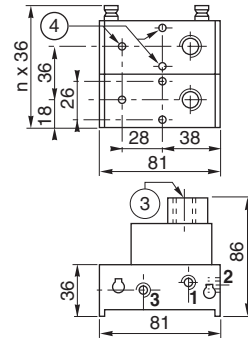
valves 261-262 on single subbase



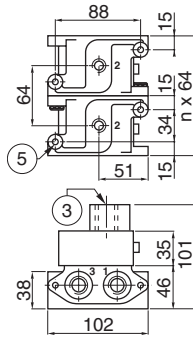
Ports
1 : Pressure
2 : Outlet
3 : Exhaust

series	3/2 - dimensions (mm)					
	A	B	C	D	E	G
261	52	5	20	30	70	72
262	60	6	38	50	82	85

valve 261 on joinable subbases



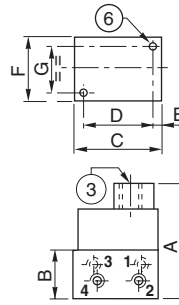
valve 262 on joinable subbases



n = number of subbases

Air operated 4/2 valves

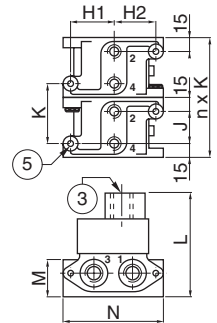
valves 261-262 on single subbase



Ports
1 : Pressure
2 : Outlet
4 : Outlet
3 : Exhaust

series	4/2 - dimensions (mm)													
	A	B	C	D	E	F	G	H1	H2	J	K	L	M	N
261	92	32	63	49	5,5	56	43	41	39	26	56	96	29	94
262	100	45	84	64	7	60	46	44	44	34	64	101	38	102

valve 261-262 on joinable subbases



- ① 2 mounting holes \varnothing 5,5 mm (series 262)
- ② 2 mounting holes \varnothing 4,5 mm (series 261)

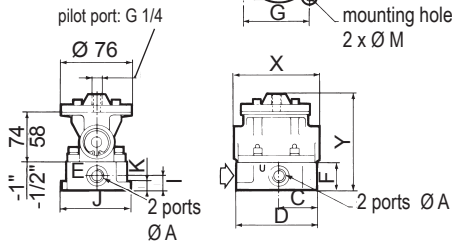
- ③ 4 pilot port: G 1/4
- ④ 3 mounting holes \varnothing 4,5; spot facing \varnothing 7,5; prof. 6 mm

- ⑤ 2 mounting holes \varnothing 7 mm
- ⑥ 2 mounting holes \varnothing 5,5 (series 261), \varnothing 6,5 (series 262)

Series 266-267

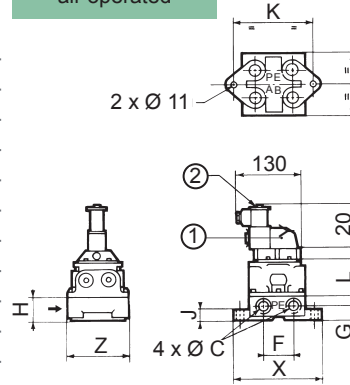
Air operated

2 outlet ports \varnothing A
(2 connection possibilities)



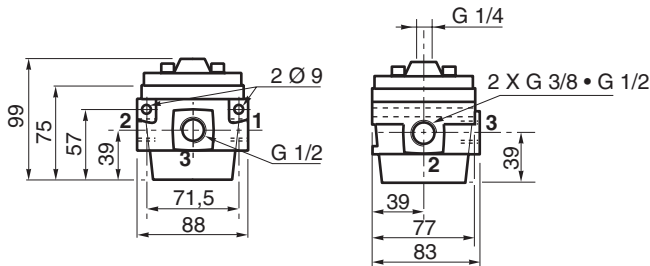
series	266	267
\varnothing A	G 1/2	G 1
C	48,5	93,5
D	92	164
F	34	55
G	76	144
H	62	68
I	18	25
J	78	88
K	9	12
\varnothing M	2 \varnothing 9	2 \varnothing 11
X	100	133
Y	116	153

Solenoid air operated



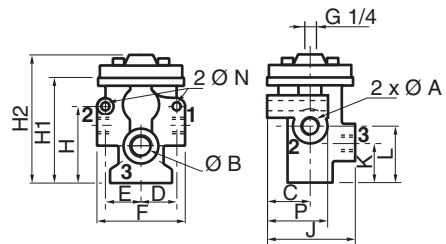
series	266	267
\varnothing C	G 1/2	G 1
F	57	82
G	26	35
H	45	63
J	20	20
K	133	170
L	63	78
X	162	198
Y	205	238
Z	111	130

Series 284



pipe size	\varnothing A	\varnothing B	C	D	E	F	H	H1	H2	J	NF		L	N	P
											K	NO			
3/4	G 3/4	G 1	39	43.5	39	113	91	126	150	92	88	45	67	9	62
1	G 1	G 1	39	43.5	39	113	91	126	150	92	88	45	67	9	62
1 1/2	G 1 1/2	G 1 1/2	46	66.5	52	165	130	207	231	124	124	64	94	13	78

Series 285

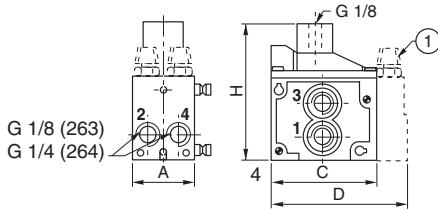


POPPET VALVES

DIMENSIONS

Air operated 4/2 valves

Valves 263-264

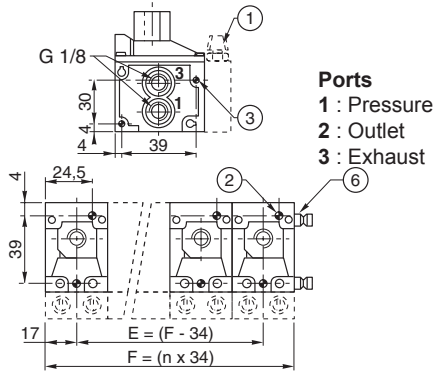


series	dimensions (mm)			
	A	C	D	H
263	34	46,5	76	66
264	45	68	90	87

n = number of subbases

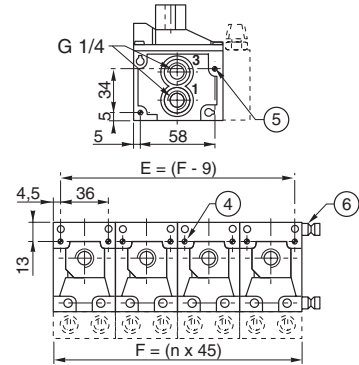
- ① module with 2 flow regulators
- ② 2 upper mounting holes $\varnothing 4,2 \times 50$
- ③ 2 side mounting holes $\varnothing 4,2 \times 34$
- ④ 2 upper mounting holes $\varnothing 5,5 \times 60$

Valves 263 on joinable sub-bases



- ⑤ 2 side mounting holes $\varnothing 5,5 \times 45$
- ⑥ the valves are supplied with seals, screws and diabolos for joinable subbase mounting

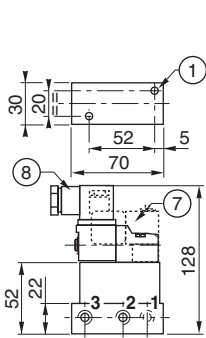
Valves 264 on joinable sub-bases



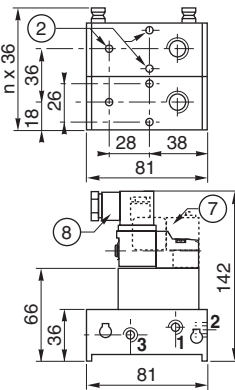
Solenoid air operated 3/2 valves

valve 261

on single subbase

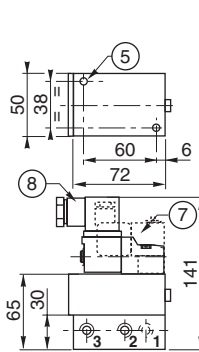


on joinable subbases

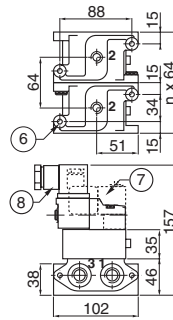


valve 262

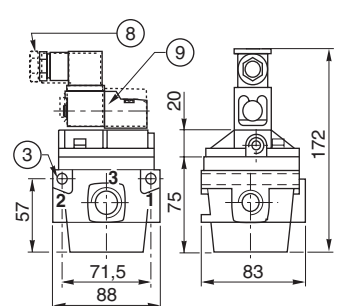
on single subbase



on joinable subbases



valve 284



- ① 2 mounting holes $\varnothing 4,5$ mm
- ② 3 mounting holes $\varnothing 4,5$; spot facing $\varnothing 7,5$; prof. 6 mm
- ③ 2 side mounting holes $\varnothing 9$ mm

- ⑤ 2 mounting holes $\varnothing 5,5$ mm
- ⑥ 2 mounting holes $\varnothing 7$ mm
- ⑦ pilot 189

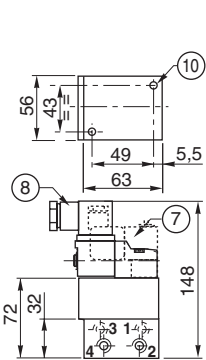
- ⑧ pilot 190
- ⑨ pilot 192
- n = number of subbases

- Ports**
- 1 : Pressure
 - 2 : Outlet
 - 3 : Exhaust

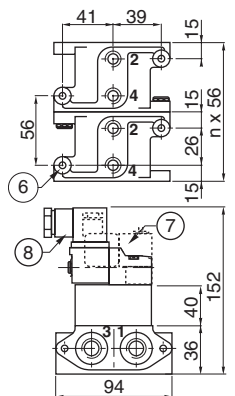
Solenoid air operated 4/2 valves

valve 261

on single subbase

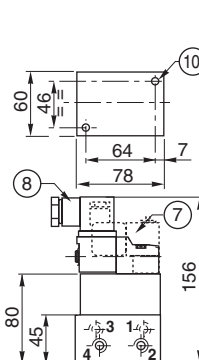


on joinable subbases

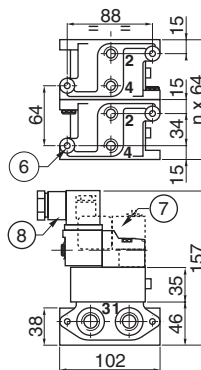


valve 262

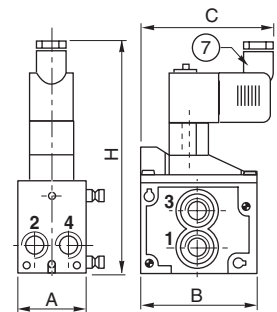
on single subbase



on joinable subbases



valves 263 - 264



Valves arranged in joinable manner:
see top of page

- ⑥ 2 mounting holes $\varnothing 7$ mm
- ⑦ pilot 189
- ⑧ pilot 190
- ⑩ 2 mounting holes $\varnothing 5,5$ (series 261), $\varnothing 6,5$ (series 262)

- Ports**
- 1 : Pressure
 - 2 : Outlet
 - 3 : Exhaust
 - 4 : Utilisation

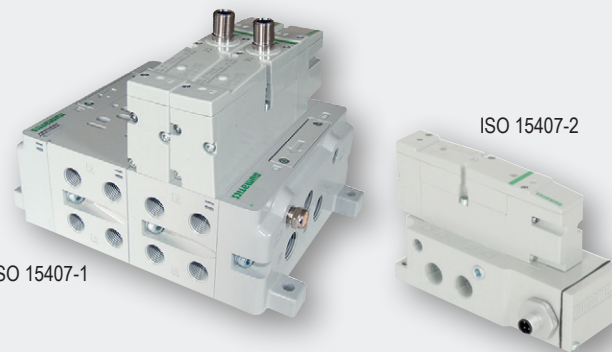
series	dimensions (mm)			
	A	B	C	H
263	34	46,5	65	117
264	45	68	80	138

2x3/2 - 5/2 - 5/3 SPOOL VALVES

503 series - solenoid air operated

ISO 15407-1 (26 mm) M12 on the top

ISO 15407-2 (26 mm) M12 in mounting



	ISO 15407-1	ISO 15407-2
Fluids	air or inert gas, filtered, lubricated or not	
Operating pressure	2 to 10 bar (2x3/2) -0,95 to 10 bar (5/2-5/3)	2 to 8 bar (2x3/2) -0,95 to 8 bar (5/2-5/3)
Pilot pressure	3,5 to 10 bar (2x3/2) 2 to 10 bar (5/2 solenoid air return) 3 to 10 bar (others)	3,5 to 8 bar (2x3/2) 2 to 8 bar (5/2 solenoid air return) 3 to 8 bar (others)
Ambient temperature	-10°C to +50°C	
Flow (Qv at 6 bar) (ANR)	refer to selection table	
Body	Aluminium, E-coating treatment	
Spool seals	NBR [+ PUR (rubber packed)]	
Other seals	NBR + FPM	
Other materials	PAM (polyarylamide)	
Standard voltages	GF 50% (glass fiber reinforced) 24V DC (=)	

ISO 15407-1

ISO 15407-2

- Rubber packed spool technology
- High flow rate up to 1200 l/min
- Metal M12 connexion

YOUR SELECTION (ISO 15407-1)

function	symbol	rated flow at 6,3 bar l/min (ANR)	response time open / closed (ms)	15-DIGIT PRODUCT CODE	
				ISO 15407-1 spool valves	internal supply impulse man. operator
2 x 3/2 NC		900 800	15 / 20	R503A2BD0N82PF1	
5/2		1200 1100	20 / 60	R503A2B10N82PF1	
		1200 1100	20	R503A2B40N82PF1	
5/3		1200 1100	15 / 20	R503A2B60N82PF1	
		1100 600	18 / 45	R503A2B70N82PF1	
		600 1100	18 / 45	R503A2B50N82PF1	

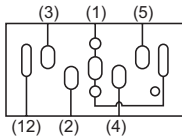
(a) 3,5 bar for a pressure supply (P1) ≤ 7,5 bar (if > 7,5 bar, Pmin. = P1 - 4 b)

SPOOL VALVES ISO 15407-2 / ISO 15407-1 - 26 mm

YOUR SELECTION (ISO 15407-1)

function	function	thread type	15-DIGIT PRODUCT CODE
----------	----------	-------------	-----------------------

Single subbase - M12 connector (on top of the valve)



internal supply
 1-2-3-4-5 = 5 x 3/8
 12 = 1/8 (pilot exhaust 83)

G

G503AA3A30A0030

Joinable subbase (manifold base) - M12 connector (on top of the valve)



one manifold base for 2 stations valve
 side ports, 4 x 1/4(max. 32 stations)

G

G503AMV220A0030

End plate kits



horizontal supply

3 x 3/8 (1/3/5 ports), 2 x 1/8 (12/14 ports)
 (internal supply configuration)

G

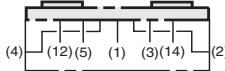
G503AK428304004

Blank station plate kit



Used to block off a manifold station block
 for future use

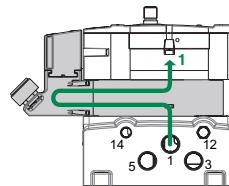
P503AB428359001



OPTIONS AND ACCESSORIES

type	Pressure regulator - (pressure range 0,7 to 10 bar)	ISO 15407-1	ISO 15407-2
------	---	-------------	-------------

RS

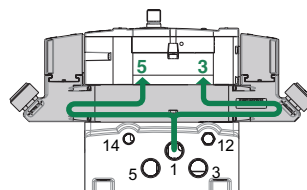


.....RS...A00.

R503ARS120A0030

R503ARS12JA0020

RD




.....RD...A00..

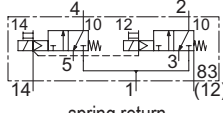
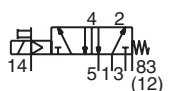
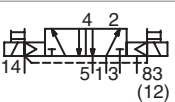

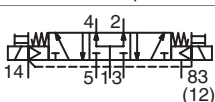
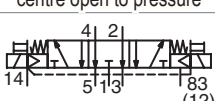
R503ARD120A0030

R503ARD12JA0020


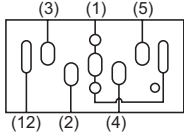
SPOOL VALVES ISO 15407-2 / ISO15407-1

YOUR SELECTION (ISO 15407-2)

function	symbol pilot (14) return (12)	rated flow at 6,3 bar l/min (ANR) 1 → 2 2 → 3 1 → 4 4 → 5	response time open / closed (ms)	15-DIGIT PRODUCT CODE
				 ISO 15407-2 impulse man. operator

2 x 3/2 NC	 spring return	900 800	15 / 20	R503A2BD0MA00F1
5/2	 spring return	1200 1100	20 / 60	R503A2B10MA00F1
	 solenoid air return	1200 1100	20	R503A2B40MA00F1
5/3	 W1 closed centre position	1200 1100	15 / 20	R503A2B60MA00F1
	 W2 centre open to pressure	1100 600	18 / 45	R503A2B70MA00F1
	 W3 centre open to exhaust	600 1100	18 / 45	R503A2B50MA00F1

^(a) 3,5 bar for a pressure supply (P1) ≤ 7,5 bar (if > 7,5 bar, Pmin. = P1 - 4 b)

function	designation	thread type	15-DIGIT PRODUCT CODE
catalogue number - 4-pin straight M12 connector in mounting			
		G	G503AA3A3M56Y20

internal supply

1-2-3-4-5 = 5 x 3/8
12 = 1/8 (pilot exhaust 83)
(mounting interface surface
with electrical connector)

SPOOL VALVES ISO 15407-2 / ISO15407-1

OPTIONS AND ACCESSORIES

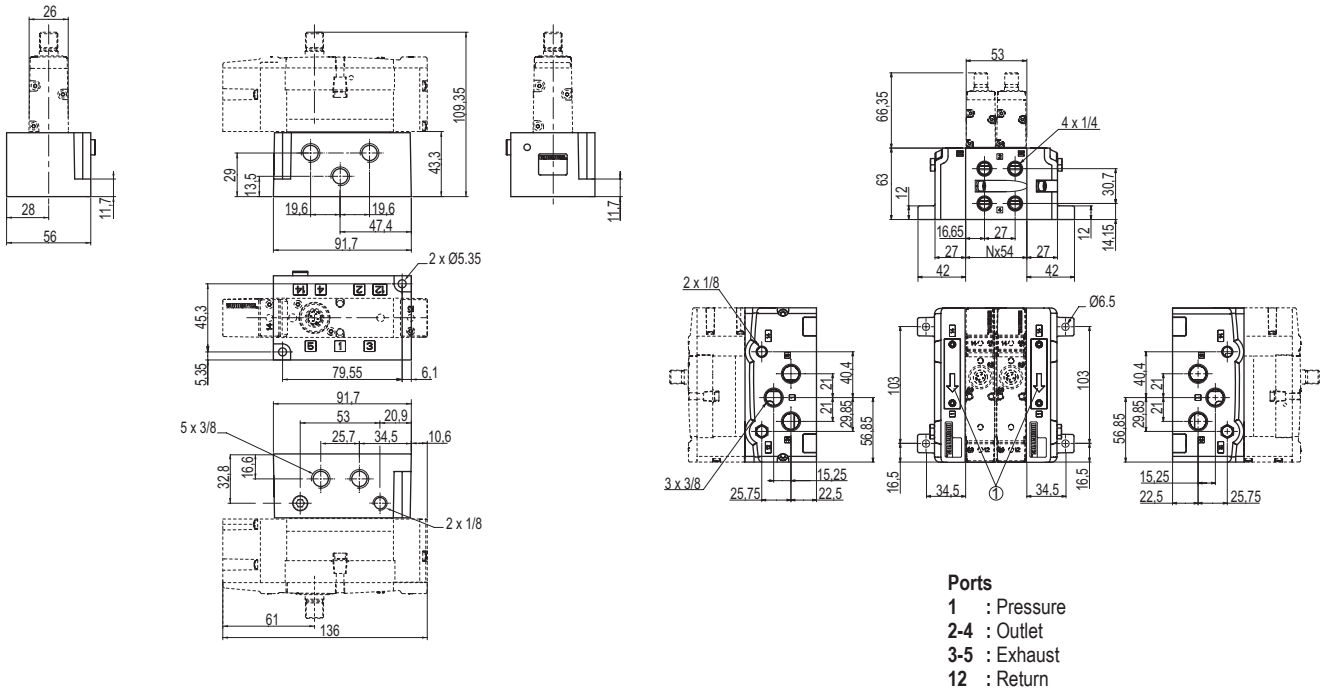
Sandwich regulators:
See page 57

DIMENSIONS

Valves (ISO 15407-1 26 mm) - M12 on the top

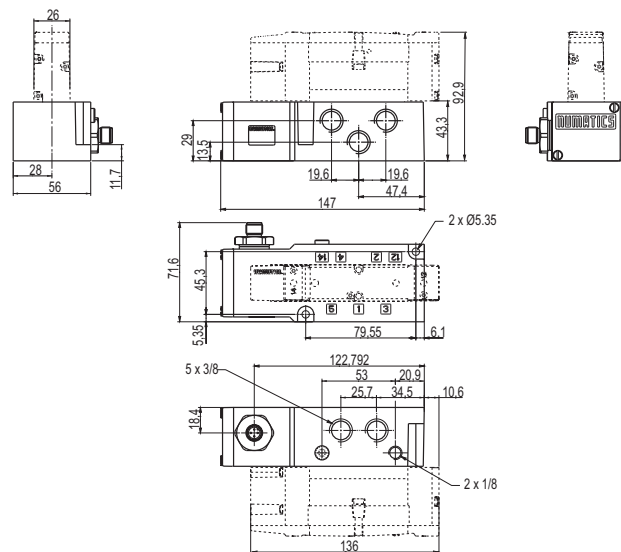
Single subbase

Joinable subbase (manifold base)



Valves (ISO 15407-2 26 mm) - M12 connector in mounting

Single subbase



5/2 - 5/3 SPOOL VALVES

MULTIFUNCTION



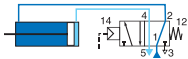
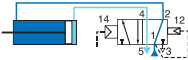
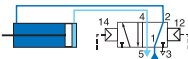
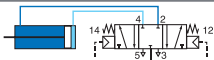
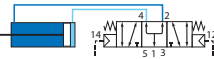
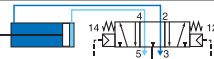
air operated or solenoid air operated
with subbase ISO 5599/1
sizes 1, 2 and 3



Series	541	542	543	544
Fluids	air or inert gas, filtered, lubricated or not			
Operating pressure	3 to 10 bar (internal pilot)		2 to 12 bar (internal pilot)	
	-0,950 to 12 bar (external pilot)			
Pilot pressure	refer to selection table			
Ambient temperature	-10°C to +60°C			
Flow (Qv at 6 bar) (ANR)	1400 l/mn	2800 l/mn	4200 l/mn	6300 l/min (G3/4 subbase) 7000 l/min (G1)
	metal cover / POM (polyacetal), light alloy			
Sealings	NBR (nitrile), PUR (polyurethane)			
Standard voltages	DC (-) 24V (M12) / DC (-) 24V - 48V			
	AC (-) 24V - 48V - 115V - 230V / 50Hz			

- Reliability: long service life, 30 million cycles
- Various power supply options, internal or external, with selector seals
- Modular assembly using joinable subbases
- Side or bottom connection for subbases

YOUR SELECTION

	=	air operated valve			+	subbase 	
		type	pilot pressure bar	flow at 6 bar (ANR) l/min			code
5/2 - air operated - spring return (monostable function)							
	=	ISO 1	3 ... 12	1400	code	see page 66	
		ISO 2		2800			54101017
5/2 - air operated - differential return (monostable function)							
	=	ISO 1	3 ... 12	1400	code	see page 66	
		ISO 2		2800			54101018
5/2 - air operated - air return (bistable function)							
	=	ISO 1	1,5 ... 12	1400	code	see page 66	
		ISO 2		2800			54101019
		ISO 4		6300/7000			54202019
5/3 - air operated - pressure held W1							
	=	ISO 1	3 ... 12	1400	code	see page 66	
		ISO 2		2800			54101020
5/3 - air operated - pressure applied W2							
	=	ISO 1	3 ... 12	1400	code	see page 66	
5/3 - air operated - pressure released W3							
	=	ISO 1	3 ... 12	1400	code	see page 66	
		ISO 2		2800			54101021

OPTIONS AND ACCESSORIES

Connector sizes 22 and 30:
see page 106


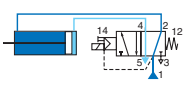
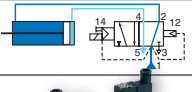
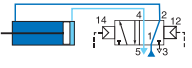

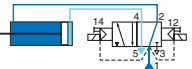
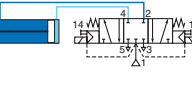
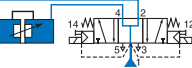
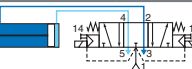


Mating surface blanking plate

88100074

MULTIFUNCTION SPOOL VALVES ISO 5599/1 - sizes 1, 2 and 3

YOUR SELECTION

 =	solenoid air operated valve				+	solenoid pilot valve (1)					+	subbase							
	type	pilot pressure bar	flow at 6 bar (ANR) l/min	code		qty	code	power ~ VA	= W	(M)		connector	code						
5/2 - solenoid air operated - spring return (monostable function)																			
	ISO 1	3...10	1400	54191023	+ 1 x	18900001	3,5	2,5	●	size 22 (2)	see page 66								
	ISO 2	2,5...10	2800	54292023		19000006	4	3	●	size 30 (3)									
	ISO 3	3...10	4200	54391023		19000017	4	3	▼										
	ISO 4	2,5...10	6300/7000	54490017	+ 1 x	19201001 19201002 19201003	10	7	● ● ▼	size 30 (3)									
5/2 - solenoid air operated - differential return (monostable function)																			
	ISO 1	3...10	1400	54191024	+ 1 x	18900001	3,5	2,5	●	size 22 (2)	see page 66								
	ISO 2	2...10	2800	54292024		19000006 19000017	4 4	3 3	● ▼	size 30 (3)									
5/2 - air operated - air return (bistable function)																			
	ISO 1	1,5...10	1400	54191025	+ 2 x	18900001 19000006 19000017	3,5 4 4	2,5 3 3	● ● ▼	size 22 (2) size 30 (3)	see page 66								
5/2 - solenoid air operated - solenoid differential return (bistable)																			
	ISO 1	3...10	1400	54191026															
5/2 - solenoid air operated - solenoid air return (bistable)																			
	ISO 1		1400	54191027															
	ISO 2	1,5...10	2800	54292027															
	ISO 3		4200	54391027															
5/3 - solenoid air operated - pressure held W1																			
	ISO 1		1400	54191028	+ 2 x	19201001 19201002 19201003			× ● ▼	size 30 (3)	see page 66								
	ISO 2	3...10	2800	54292028															
	ISO 3		4200	54391028															
	ISO 4	3...12	6300/7000	54490022															
5/3 - solenoid air operated - pressure applied W2																			
	ISO 1	3...10	1400	54191030	+ 2 x	18900001	3,5	2,5	●	size 22 (2)	see page 66								
5/3 - solenoid air operated - pressure released W3																			
	ISO 1		1400	54191029															
	ISO 2	3...10	2800	54292029															

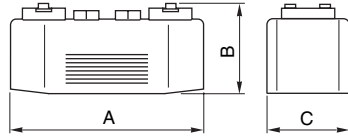
(M) Manual operator ● : with maintained manual operator ▼ : with impulse manual operator
 (1) When ordering, please specify in addition to the code: the type of current, voltage / frequency
 (2) DIN 43650, 11 mm, industry standard B (3) ISO 4400 / EN 175301-803, form A

MULTIFUNCTIONAL SPOOL VALVES AND SUBBASES ISO 5599/01 - sizes 1, 2 and 3

DIMENSIONS

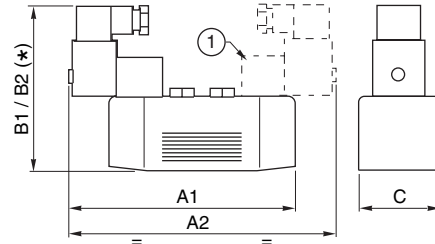
Valves

air operated



size	dimensions (mm)		
	A	B	C
ISO 1	122	51	38
ISO 2	149	53	49
ISO 4	246	78	67

solenoid air operated (189-190)

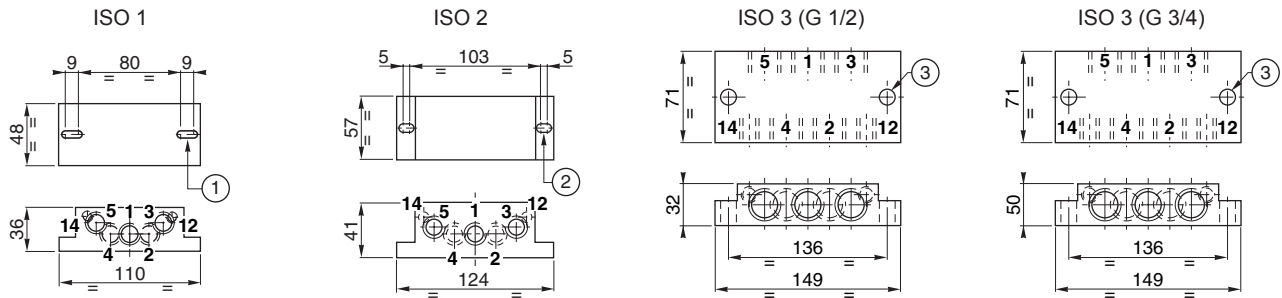


size	dimensions (mm)				
	A1	A2	B1	B2	C
ISO 1	150	178	110	115	38
ISO 2	174	198	112	117	49
ISO 3	184	184	127	133	62
ISO 4	265	284	-	147	67

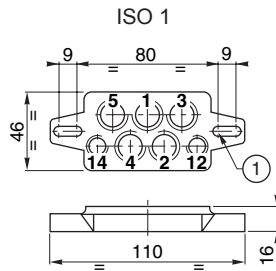
(*) B1: pilot 189 / B2: pilots 190 / 192 (series 544)

① bistable function

Single subbase - side connection



Single subbase - bottom connection



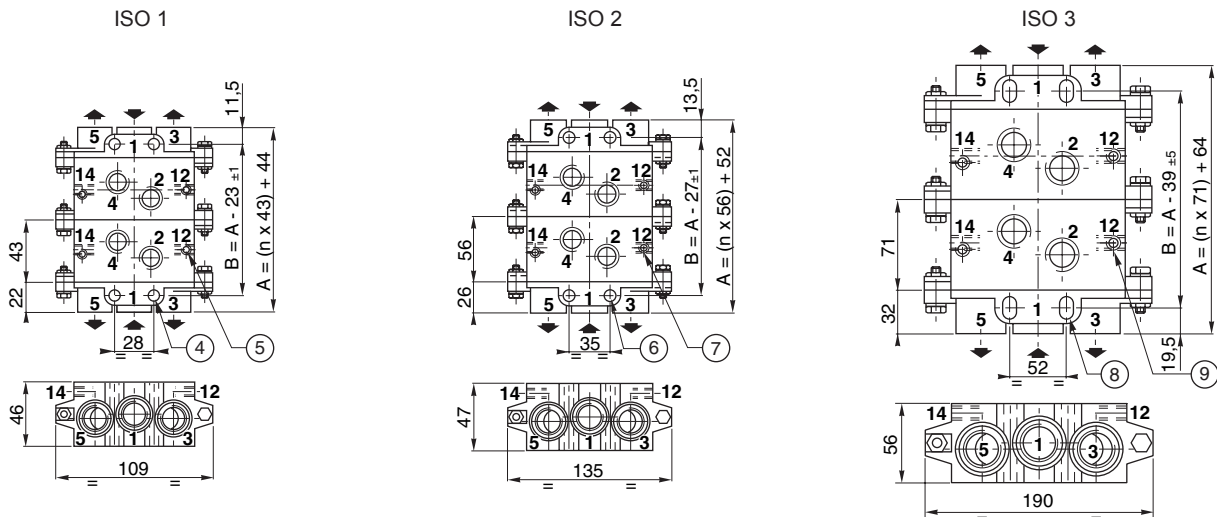
Ports

- 1 : Pressure
- 2-4 : Outlet
- 3-5 : Exhaust
- 12 : Return
- 14 : Pilot

n = number of subbases

- ① 2 mounting holes $\varnothing 5,5$ counterbored $\varnothing 14$
- ② 2 mounting holes, width 5,5
- ③ 2 mounting holes $\varnothing 6,6$
- ④ 4 mounting holes $\varnothing 6,8$
- ⑤ bottom mounting: 4 holes $\varnothing M5$
- ⑥ front mounting: 4 holes $\varnothing 9$
- ⑦ bottom mounting: 4 holes $\varnothing M6$
- ⑧ front mounting: 4 holes width 12
- ⑨ bottom mounting: 4 holes $\varnothing M8$, depth 20

Joinable metal subbases - bottom connection

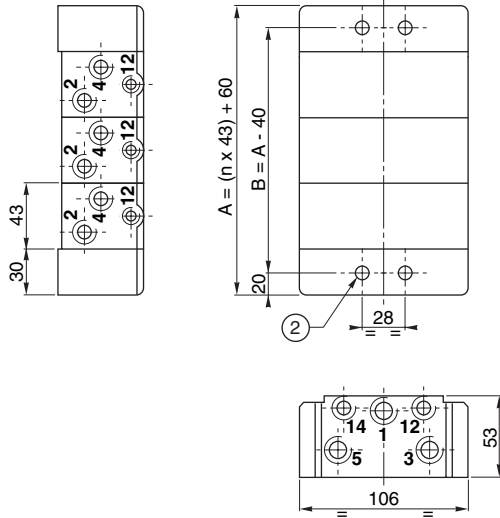


MULTIFUNCTIONAL SPOOL VALVES AND SUBBASES ISO 5599/01 - sizes 1, 2 and 3

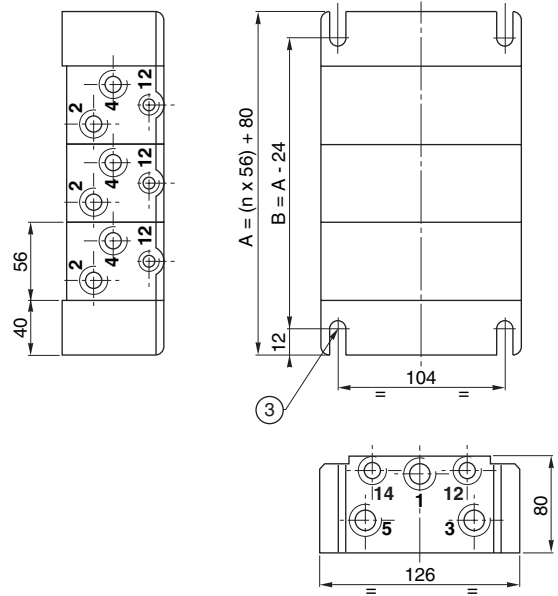
DIMENSIONS

Joinable metal subbases - side connection

ISO 1



ISO 2



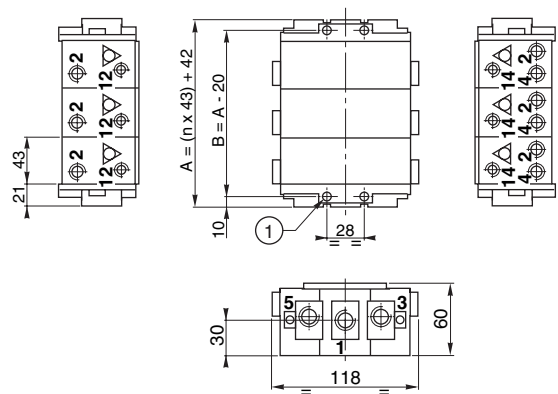
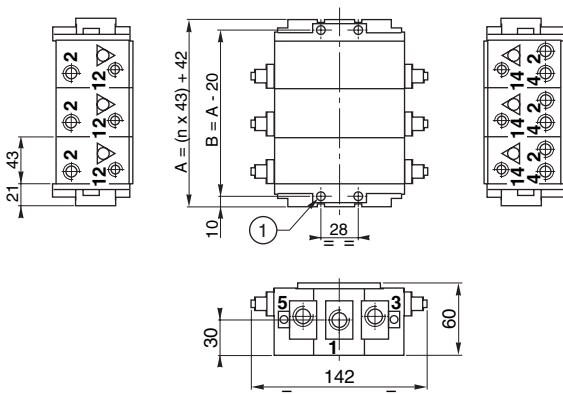
n = number of subbases

- ① 4 mounting holes \varnothing 6,5 depth 59
- ② 4 mounting holes \varnothing 7 depth 53
- ③ 4 mounting openings \varnothing 8,5 depth 72

Joinable polyamide subbases - side connection

ISO 1 with built-in flow regulators and integrated pressure indicators

ISO 1 without flow regulators and integrated pressure indicators





Ports




- 1 : Pressure
- 2-4 : Outlet
- 3-5 : Exhaust
- 12 : Return
- 14 : Pilot

SINGLE OR JOINABLE SUBBASES ISO 5599/01 - sizes 1, 2 and 3

YOUR SELECTION

	size	ports			code
		12-14	1-2-4	3-5	
	single aluminium subbases - side connection				
	ISO 1	G 1/8	G 1/4	G 1/4	35500076
		G 1/8	G 1/4	G 3/8	35500061
		G 1/8	G 3/8	G 3/8	35500382
	ISO 2	G 1/8	G 3/8	G 3/8	35500560
		G 1/8	G 1/2	G 1/2	35500562
ISO 3	G 1/8	G 1/2	G 1/2	35500171	
	G 1/8	G 3/4	G 3/4	35500192	
	single aluminium subbases - bottom connection				
	ISO 1	G 1/8	G 1/4	G 1/4	35500077
	ISO 2	G 1/8	G 3/8	G 3/8	35500085

Ports
1 : Pressure
2-4 : Outlet
3-5 : Exhaust
12 : Return
14 : Pilot

	size	composition	ports			code
			12-14	2-4	1-3-5	
	joinable aluminium subbases - bottom connection					
	ISO 1	1 subbase	G 1/8	G 1/4	-	35500165
		kit of 2 end plates	-	-	G 3/8	35500166
		blanking plate to cover interface				88135517
	ISO 2	1 subbase	G 1/8	G 3/8	-	35500169
		kit of 2 end plates	-	-	G 1/2	35500170
ISO 3	1 subbase	G 1/8	G 1/2	-	35500173	
	kit of 2 end plates	-	-	G 1	35500174	
	joinable aluminium subbases - side connection					
	ISO 1	1 subbase + 2 seals 1 selector plate (linking 1-3-5) 2 plugs G 1/4 1 plug G 1/8 2 assembly aids	G 1/8	G 1/4	-	35500088
		2 end plates + 2 seals 1 blank selector plate 1 selector plate (linking 1-3-5) 2 assembly aids	G 1/8	-	G 3/8	35500087
		1 subbase + 2 seals 1 selector plate (linking 1-3-5) 2 plugs G 1/2 1 plug G 1/8 2 assembly aids	G 1/8	G 1/2	-	35500102
	ISO 2	2 end plates 1 blank selector plate 3 plugs G 3/4 + 2 plugs G 1/8 2 assembly aids	G 1/8	-	G 3/4	35500101
		Joinable polyamide subbases - side connection				
	ISO 1	1 subbase (without flow regulators and pressure indicators) 5 seals for 1-3-5-12-14 1 plug G 1/4 + 1 plug G 1/8 2 assembly posts	G 1/8	G 1/4	-	35500156
		2 end plates 4 seals 2 CHC assembly screws 2 assembly nuts 3 plugs G 3/8	-	-	G 3/8	35500159

OPTIONS AND ACCESSORIES

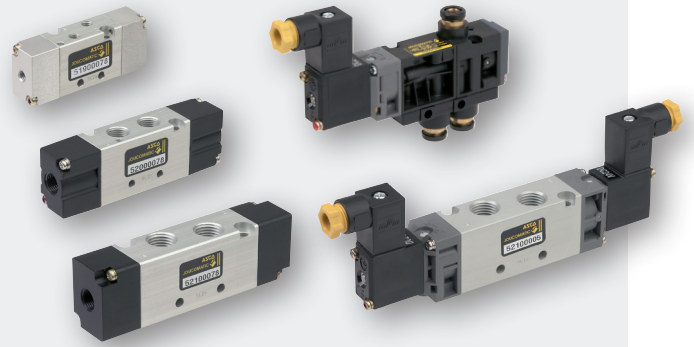
Sandwich flow regulator: ISO size 1

34600476

MINI SPOOL VALVES

3/2 - 5/2 - 5/3


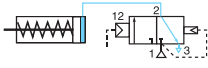

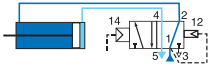

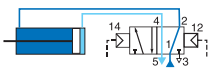

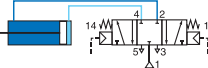


air operated or solenoid air operated
threaded Ø M5 - G 1/8 - G 1/4
or instant fittings Ø 6



Series	519	520	521
Fluids	air or inert gas, filtered, lubricated or not		
Operating pressure	1,5 to 8 bar		
Pilot pressure	1,5 to 8 bar		
Ambient temperature	+5°C to +50°C		
Orifice	2,5 mm	4 mm	6 mm
Flow (Qv at 6 bar) (ANR)	175 l/min	600 l/min (3/2: 400 l/min)	1050 l/min
Body	light alloy and covers made of acetal resin (POM)		
Internal parts	5/2-5/3 3/2	stainless steel, light alloy and acetal resin (POM) brass and polyacetal (POM)	
Sealings	NBR (nitrile)		
Standard voltages	DC (-) 24V AC (-) 24V - 230V / 50Hz		


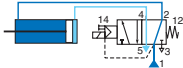

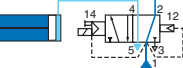

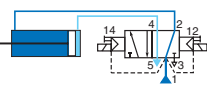

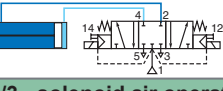

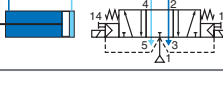

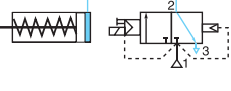
- Excellent size / flow ratio
- Assembled in line or on multiple subbases
- Low electrical power consumption (1,6 W)
- Manual operator bi-function: push and/or screw & lock

YOUR SELECTION

	Ø M5	spool valve G1/8	G1/4	subbase
3/2 NC - air operated - differential return (monostable function)				
		-	52000376	-
5/2 - air operated - differential return (monostable function)				
		-	52000077	52100077 see below
5/2 - air operated - air return (bistable function)				
		51900078	52000078	52100078 see below
5/3 - air operated - pressure held W1				
		-	52000079	52100079 see below
number of joinable subbases				
	2	35500324	35500333	35500342
	3	-	35500334	35500343
	4	-	35500335	35500344
	5	-	35500336	35500345
	6	-	35500337	35500346
	7	-	35500338	-
	8	-	35500339	-
	10	-	35500341	-
	blanking plate			
	-	-	88135527	88135528
	flange with instant fittings			
	-	-	88135532	-

MINI SPOOL VALVES

YOUR SELECTION

	spool valve			type	solenoid pilot valve				connector	subbase	
	Ø M5	G1/8	G1/4		voltage V	power ~ VA	= W	(M)			
5/2 - solenoid air operated - spring return (monostable function)											
		-	52000386	-	integral	24 ~	2	-	●/▼	size 15 (1)	see previous page
		-	52000380	-	integral	24 =	-	1,6	●/▼		
5/2 - solenoid air operated - differential return (monostable function)											
		51900002	52000002	52100002	integral	24 ~	2	-	●/▼	size 15 (1)	see previous page
		51900004	52000004	52100004	integral	230 ~	2	-	●/▼		
		51900001	52000001	52100001	integral	24 =	-	1,6	●/▼		
		-	52000003	52100003	integral	115 ~	2	1,5	●/▼		
5/2 - solenoid air operated - solenoid air return (bistable)											
		-	52000006	52100006	integral	24 ~	2	-	●/▼	size 15 (1)	see previous page
		-	52000007	-	integral	115 ~	2	1,5	●/▼		
		-	52000008	52100008	integral	230 ~	2	-	●/▼		
		51900005	52000005	52100005	integral	24 =	-	1,6	●/▼		
5/3 - solenoid air operated - pressure held W1											
		-	52000010	52100010	integral	24 ~	2	-	●/▼	size 15 (1)	see previous page
		-	52000009	52100009	integral	24 =	-	1,6	●/▼		
5/3 - solenoid air operated - pressure released W3											
		-	52000090	52100090	integral	24 =	-	1,6	●/▼		
3/2 NC - solenoid air operated - differential return (monostable function)											
		inst. fitting Ø 6 O.D.	subbase mounted	52000209	integral	24 =	-	1,6	●/▼	size 15 (1)	see previous page
				-	integral	24 ~	2	1,5	●/▼		
		threaded G 1/8		52000193	integral	24 =	-	1,6	●/▼		
				52000196	integral	230 ~	2	1,5	●/▼		
			subbase mounted	52000189	integral	24 =	-	1,6	●/▼		
				52000192	integral	230 ~	2	1,5	●/▼		

(M) Manual operator ●/▼ : with impulse /maintained manual operator (1) DIN 43650, 9,4 mm, form C

OPTIONS AND ACCESSORIES

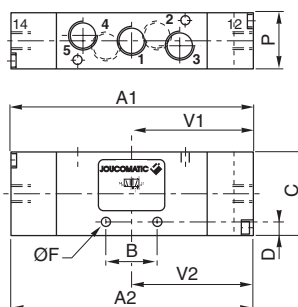
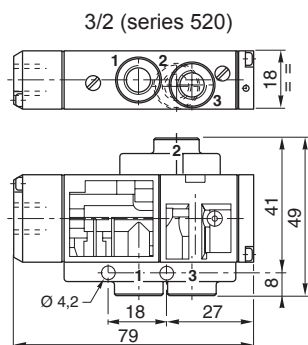
Visualisation and electrical protection module

24V = / ~, code: **88130401**



DIMENSIONS

Valves - air operated



5/2

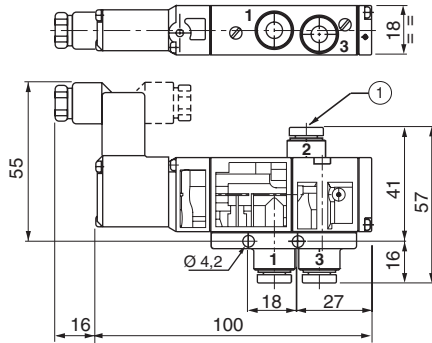
	dimensions (mm)		
	519	520	521
(monostable) A1	55,5	76	91,5
(bistable) A2	61	85	100
B	11	15	22
C	26	27	31
D	4	6	6,5
ØF	3,3	3,3	4,3
P	15	18	22
V1	25	33,5	41,5
V2	30,5	42,5	50

MINI SPOOL VALVES AND JOINABLE SUBBASES

DIMENSIONS

Valves - solenoid air operated

3/2 (series 520)

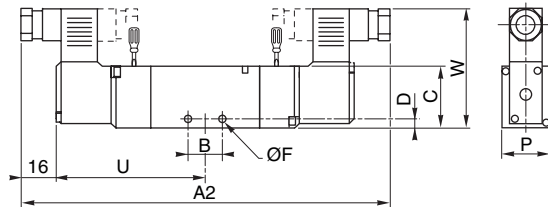
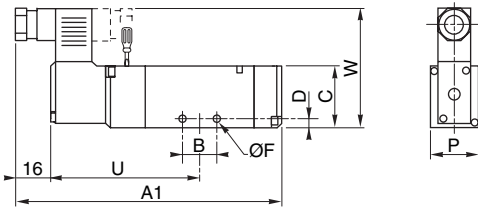


① 3 instant fittings for flexible tube Ø 6 O.D.

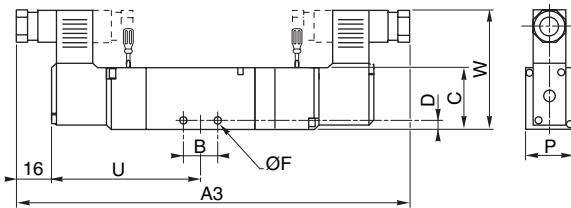
Ports
1 : Pressure
2 : Outlet
3 : Exhaust

5/2 - differential return (monostable function)

5/2 - solenoid air return (bistable function)



5/3 - pressure held W1
 5/3 - pressure released W3



	dimensions (mm)										
	A1	A2	A3	B	C	D	F	P	U	W	
519	97,5	145	153	11	26	4	3,3	15	56,5	52	
520	114	161,5	170,3	15	27	6	3,3	18	64,8	54,5	
521	131,3	179,5	188,3	22	31	6,5	4,3	22	73,7	56,5	

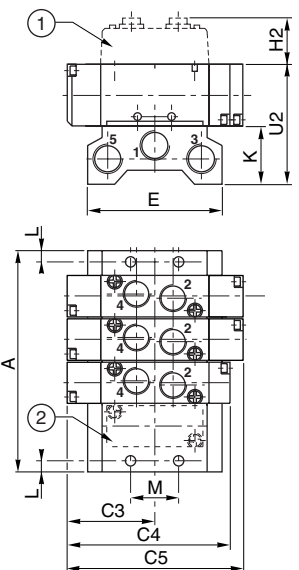
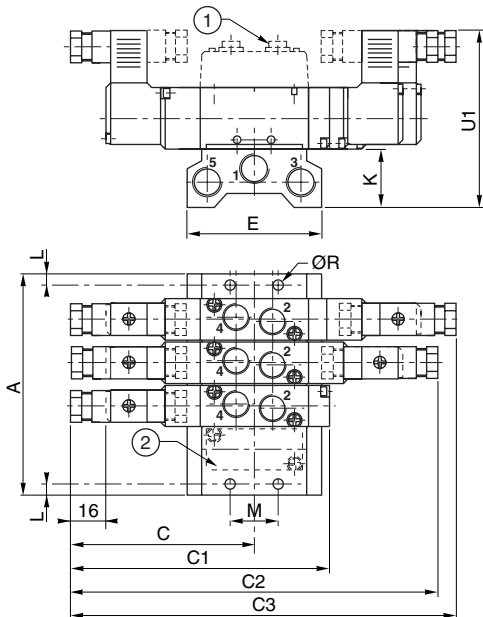
Ports
1 : Pressure
2-4 : Outlet
3-5 : Exhaust
 : manual operator

Joinable subbases

solenoid air operated

- ① Connection flange for ports 2-4 with instant fittings for flexible tubing Ø 4 mm O.D. (519), Ø 6 mm O.D. (520) and pressure indicators
- ② blanking plate for subbase

air operated



	dimensions (mm)			dimensions (mm)				
	519	520	521	519	520	521		
(monostable) C	72,5	80,7	89,7	C3	30,5	42,5	50	
(5/2) C1	97,5	114,2	131,2	C4	55,5	76	91,5	
(5/3) C2	145	161,5	179,5	C5	61	85	100	
				E	46	59	74	
number of valves	A	519	520	521	H2	15	23	-
2	59	59	77	K	20	25	30	
3	75	78	100	L	9	5	7	
4	91	97	123	M	16	21	26	
5	107	116	146	R	4,5	4,5	5,5	
6	123	135	169	U1	72	80	87,5	
7	139	154	192	U2	46	52,5	62	
8	155	173	215					
10	187	211	261					

3/2-5/2-5/3 SPOOL VALVES

551 series
threaded G 1/4
integral pilots


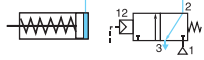
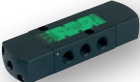
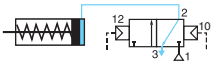

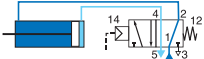
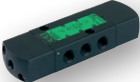
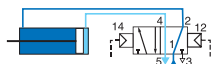
air operated
or solenoid air operated
threaded or with Namur interface


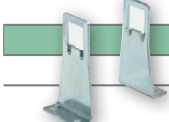


Fluids	air or inert gas, filtered, lubricated or not
Operating pressure	2 to 10 bar or 2 to 8 bar (CNOMO pilot versions)
Pilot pressure	internal piloting or 2 to 10 bar (external piloting)
Ambient temperature	-25°C to +60°C
Flow (Qv at 6 bar) (ANR)	860 l/min (700 l/min for Namur versions)
Body	black anodised aluminium
Internal parts	zamak, stainless steel, POM (polyacetal), aluminium
End plates	PA (polyamide), glass-fibre reinforced
Sealings	NBR (nitrile) + PUR (polyurethane)
Standard voltages DC (=)	24V-48V
AC (-)	24V-48V-115V-230V/50Hz

- Non breathing design, protecting the actuator from ingress of the atmosphere
- Wide temperature range for harsh environments (-25°C to +60°C)
- Reliability: long service life, 30 million cycles
- Can be attached to supply rail for fast pneumatic installation
- Compact dimensions for optimum integration with the actuators

YOUR SELECTION


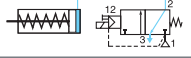



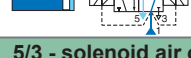
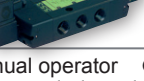
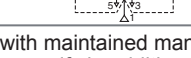
	code G 1/4
3/2 NC - air operated - spring return (monostable function)	
 	G551A105
3/2 NC - air operated - air return (bistable function)	
 	G551A106
5/2 - air operated - spring return (monostable function)	
 	G551A117
5/2 - air operated - air return (bistable function)	
 	G551A118

number of valves	code G 1/4
	standard supply rail
2	88100034
3	88100035
4	88100036
5	88100037
6	88100038
	G 1/4 set of brackets (pair) 88100049

SPOOL VALVES

YOUR SELECTION

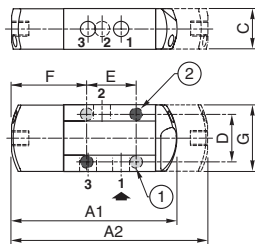
integral pilot versions for actuator piloting	code (1)	~ VA	= W	(M)	connector	standard voltages (V)					
						AC (~) / 50Hz			DC (=)		
		24	48	115	230	24	48				


3/2 NC - solenoid air operated - spring return (monostable function)											
		55102005	3,5	2,5	●	size 22 (2)	✓	✓	✓	✓	✓
5/2 - solenoid air operated - spring return (monostable function)											
		55102009	3,5	2,5	●	size 22 (2)	✓	✓	✓	✓	✓
5/2 - solenoid air operated - solenoid air return (bistable)											
		55102011	3,5	2,5	●	size 22 (2)	✓	✓	✓	✓	✓
5/3 - solenoid air operated - pressure held W1											
		55102118	3,5	2,5	●	size 22 (2)	✓	✓	✓	✓	✓

(M) Manual operator ● : with maintained manual operator
 (1) When ordering, please specify in addition to the code: the type of current, voltage / frequency
 (2) DIN 43650, 11 mm, industry standard B

DIMENSIONS

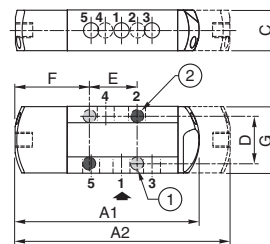
3/2 NC spool valves - air operated



Ports
 1 : Pressure
 2-4 : Outlet
 3-5 : Exhaust
 : manual operator

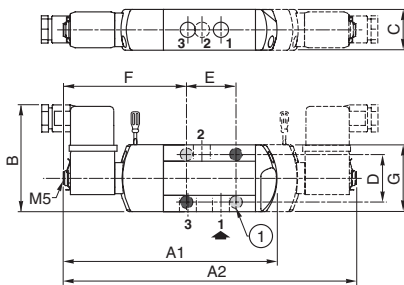
code	dimensions (mm)						
	A1/105	A2/106	C	D	E	F	G
G551A105/106	112	133	27,5	32	33	50,5	45

5/2 spool valves - air operated



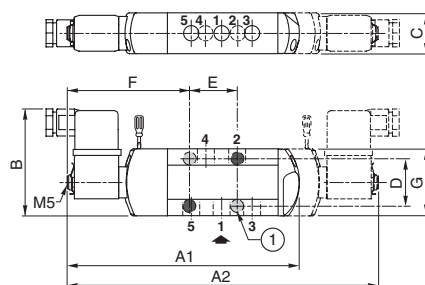
code	dimensions (mm)						
	A1/117	A2/118	C	D	E	F	G
G551A117/118	125	146	27,5	32	32	50,5	45

3/2 NC spool valves - solenoid air operated integrated pilots



code	dimensions (mm)						
	A	B	C	D	E	F	G
55102005	198	72	27,5	32	33	83,5	45

5/2 - 5/3 spool valves - solenoid air operated integrated pilots



code	dimensions (mm)							
	A1/009	A2/011	B	C	D	E	F	G
55102009/011	157	210	72	27,5	32	32	82,5	45

2 mounting holes:
 ① 5,3 mm dia. (Spotfacing: 9 mm dia., depth 5 mm)

OPTIONS AND ACCESSORIES

Stainless steel exhaust protector

G 1/4 - code : **34600419**



Batch of 2 exhaust reducers G 1/8

code : **88100344**



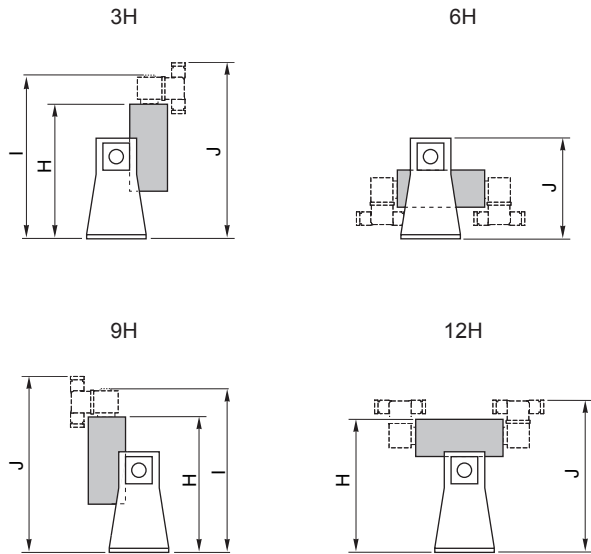
replacement coils
 (see page 104)



3/2-5/2-5/3 SPOOL VALVES

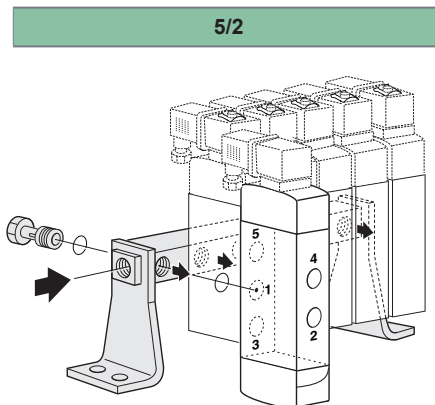
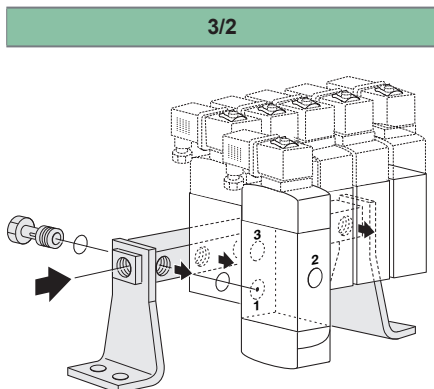
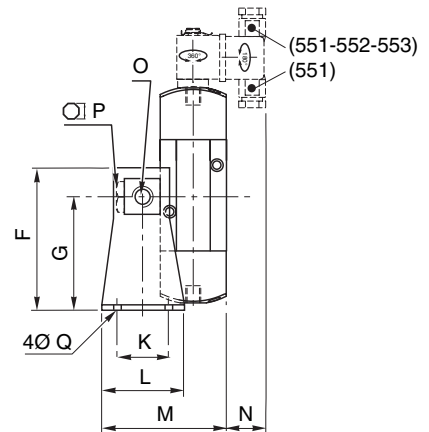
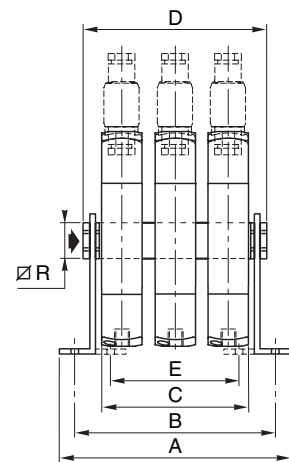
DIMENSIONS

Supply rail



	dimensions (mm)									
	H				I	J				
	3H	6H	9H	12H		3H	6H	9H	12H	
series 551										
3/2	148	-	148	132	181	194	92	194	159	
5/2	147	-	147	132	181	194	92	194	159	
series 552-553										
3/2	202	-	202	197	238	260	134	260	217	
5/2	202	-	202	197	238	260	134	260	217	

number of valves	dimensions (mm)																
	A	B	C	D	E	F	G	K	L	M	N	O	P	Q	R		
series 551																	
2	108	92	55	78	42	92	75	35	50	82	27	G3/8	19	6,5	23		
3	136	120	83	106	70	92	75	35	50	82	27	G3/8	19	6,5	23		
4	164	148	111	134	98	92	75	35	50	82	27	G3/8	19	6,5	23		
5	192	176	139	162	126	92	75	35	50	82	27	G3/8	19	6,5	23		
6	220	204	167	190	154	92	75	35	50	82	27	G3/8	19	6,5	23		
7	248	232	195	218	182	92	75	35	50	82	27	G3/8	19	6,5	23		
8	276	260	223	246	210	92	75	35	50	82	27	G3/8	19	6,5	23		
series 552-553																	
2	136	116	81	117	-	134	108	52	75	125,8	20	G3/4	27	9	32		
3	177	157	122	158	-	134	108	52	75	125,8	20	G3/4	27	9	32		
4	218	198	163	199	-	134	108	52	75	125,8	20	G3/4	27	9	32		
5	259	239	204	240	-	134	108	52	75	125,8	20	G3/4	27	9	32		
6	300	280	245	281	-	134	108	52	75	125,8	20	G3/4	27	9	32		
7	341	321	286	318	-	134	108	52	75	125,8	20	G3/4	27	9	32		
8	382	362	327	358	-	134	108	52	75	125,8	20	G3/4	27	9	32		



SPOOL VALVES

3/2 - 5/2 - 5/3

MANUALLY OPERATED





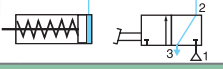


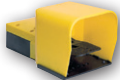




G 1/4



Fluids	air or inert gas, filtered, lubricated or not
Operating pressure	0 to 10 bar, 2 to 10 bar (foot)
Ambient temperature	-25°C to +60°C, -20°C to +60°C (foot)
Flow (Qv at 6 bar) (ANR)	refer to selection table
Body	black anodised aluminium, black polyethylene (foot)
Covering cap (foot)	yellow polyethylene
Internal parts	zamak, stainless steel, POM (polyacetal), aluminium anodised aluminium alloy, stainless steel, brass (foot)
Sealings	NBR (nitrile) + PUR (polyurethane) NBR (nitrile) (foot)




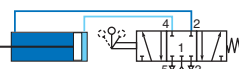





- Reliable and robust product thanks to the metal body and controls
- Direct control of single acting and double acting cylinders, up to a diameter of 100 mm
- Wide range of temperatures to suit many semi-automated applications
- Manually operated versions used for machine safety
- Pedal version with large opening to position the foot

YOUR SELECTION

	flow at 6 bar (ANR) l/min	code	type	dimensions (mm)				
				A	B	C		
3/2 - lever control								
		detended lever with 2 positions	860	55102088	1	108	112,5	-
		lever-spring	860	55102089	1	108	112,5	-
3/2 - button control								
		button spring	860	55102082	4	see page 75		
		button push-pull	860	55102083	4	see page 75		
3/2 - pedal control								
		pedal-spring	860	55102091	6	see page 75		
5/2 - lever control								
		detended lever with 2 positions	860	55102092	2	108	125	-
		detended lever with 2 positions	1610	55200036	2	108	125	-
		lever-spring	860	55102093	2	108	125	-
5/2 - pedal control								
		pedal 2 positions	860	55102094	7	see page 75		
		pedal 2 positions	655	ZF2FA400OG00000	3	145	140	245
		pedal-spring	860	55102095	7	see page 75		
5/2 - button control								
		button push-pull	860	55102086	4	see page 75		

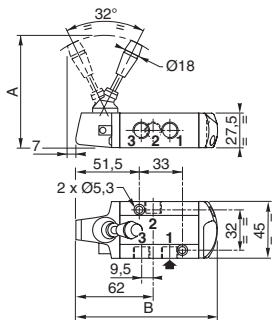
MANUALLY OPERATED SPOOL VALVES

YOUR SELECTION

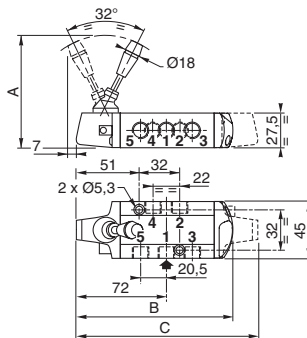
	flow at 6 bar (ANR) l/min	code	type	dimensions (mm)				
				A	B	C		
5/3 - lever control - W1 pressure held								
		detented lever with 3 positions (W1)	760	55102096	2	108	-	146,5
		detented lever with 3 positions (W1)	1610	55200038	2	108	-	146,5
		lever with 3 positions, spring return at centre (W1)	760	55102097	2	108	-	146,5
		lever with 3 positions, spring return at centre (W1)	1610	55200039	2	108	-	146,5
5/3 - lever control - W3 pressure release								
		detented lever with 3 positions (W3)	760	55102098	2	108	-	146,5
		detented lever with 3 positions (W3)	760	55102099	2	108	-	146,5

DIMENSIONS

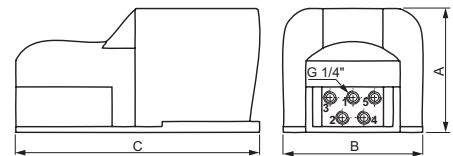
Type 1



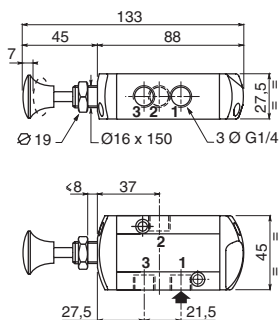
Type 2



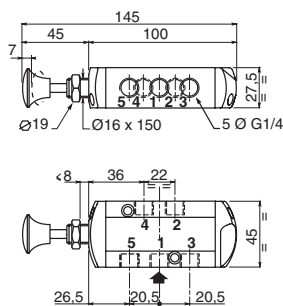
Type 3



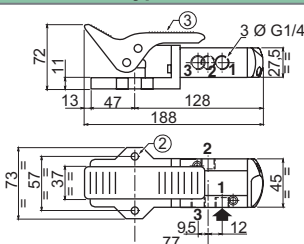
Type 4



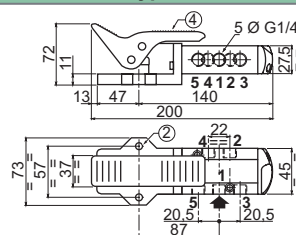
Type 5



Type 6



Type 7



Ports
1 : Pressure
2-4 : Outlet
3-5 : Exhaust

3/2 MICROVALVES

307 series

MANUALLY OPERATED

using standard Ø 22 mm heads
with instant fittings for tube Ø 4 mm O.D.
or G1/8



Fluids	air filtered, lubricated or not
Operating pressure	0 to 8 bar
Ambient temperature	-5°C to +60°C
Flow (Qv at 6 bar) (ANR)	112 l/min
Body	zamak
Exhaust	non-connectable

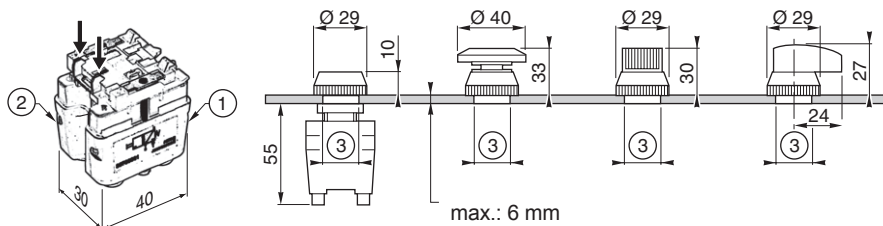
- Option of metal or plastic buttons
- Simple, quick assembly on panels
- Wide choice of pilot operators
- Possibility of linking 2 NC functions using the same pilot operator
- Microvalve button has a safe and robust fitting

YOUR SELECTION

description	type	metal button				plastic button				
		colour	code	adapter (metal) code	subbase + pneumatic module code (1)	colour	code	adapter (plastic) code	subbase + pneumatic module code (1)	
	flush push button	impulse	black	88130757	88130754	 Ø 4 mm O.D. 30701009 NC or 30701011 NC + NC or 30701010 NO or 30701012 NO + NO	black	88130745	88130753	 Ø 4 mm O.D. 30701009 NC or 30701011 NC + NC or 30701010 NO or 30701012 NO + NO
			green	88130758			green	88130744		
			red	88130759			red	88130743		
	mushroom button Ø 40	impulse	red	88130770	88130754	G1/8 30701013 NC or 30701015 NC + NC	red	88130740	88130753	G1/8 30701013 NC or 30701015 NC + NC
			red	88130762			red	88130741		
	switch	2 fixed positions	black	88130771	88130754	G1/8 30701013 NC or 30701015 NC + NC	black	88130739	88130753	G1/8 30701013 NC or 30701015 NC + NC
			black	88130763			black	88130742		
	key button	key removal at 0 and 1	black	88130761	88130754	G1/8 30701013 NC or 30701015 NC + NC	-	-	88130753	G1/8 30701013 NC or 30701015 NC + NC
			black	88130760			black	88130737		
	lever switch	2 fixed positions	black	88130760	88130754	G1/8 30701013 NC or 30701015 NC + NC	black	88130736	88130753	G1/8 30701013 NC or 30701015 NC + NC
		3 fixed positions	black	88130767			black	88130736		
		3 positions self centering	black	88130766			black	88130735		

(1) a microvalve comprises of one or two pneumatic modules: Separated pneumatic modules, see below

DIMENSIONS



① left-hand module ② right-hand module ③ drill hole Ø 22,2 mm

type	action on module	
	left	right
3 fixed positions	0	not actuated
	1	not actuated
	2	actuated
3 positions self centering	0	not actuated
	1	not actuated
	2	actuated

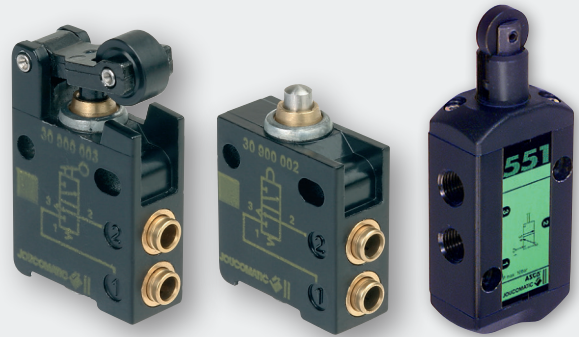
OPTIONS AND ACCESSORIES

Intermediary subbase 88130775	Reducing adapter 88130755	Separated pneumatic modules
		instant fittings 4 mm O.D.
		NC 30701001
		NO 30701002
		threaded G1/8
		NC 30701005
		NO 30701006

3/2 MICROVALVES

MECHANICALLY OPERATED

with instant fittings for tube Ø 4 mm O.D.
or G1/8 or G1/4



	series 308	series 309	series 310	series 550	series 551
Fluids	air filtered, lubricated or not				
Operating pressure	0,1 to 8 bar	0 to 8 bar	0 to 10 bar	0 to 10 bar	0 to 10 bar
Ambient temperature	-5°C to +50°C	-5°C to +50°C	-5°C to +60°C	-10°C to +60°C	-25°C to +60°C
Flow (Qv at 6 bar) (ANR)	140 l/min	140 l/min	280 l/min	200 l/min	860 l/min
Body	Body	zamak	zamak	zamak	anodized aluminium
Sealings	NBR (nitrile)				NBR (nitrile) + PUR (polyurethane)

- Wide range of operators
- Lever for front and side action
- Quick fittings for fast installation

YOUR SELECTION

	description	operating effort			Operating head ALONE	code		type
		2 bar	daN 5 bar	8 bar		complete microvalve with instant fittings for tube Ø 4 mm O.D.	tapped G1/8	
NC = normally closed								
	simple push	1	1,7	2,5	-	30900002	-	1
	lever with plastic roller	0,5	0,9	1,3	-	30900003	-	2
	lever with metal bearing roller	0,5	0,9	1,3	-	30900001	-	2
	one way trip plastic roller (lifetime: one million cycles)	0,5	0,9	1,3	-	30900004	-	3
	push button with thread	1	1,7	2,5	-	30900006	-	4
	lever with metal bearing roller	-	-	1,2	88130802 (1)	30800010	30800016	5
	lever with plastic roller	-	-	0,4 to 1,2	88130803 (1)	30800011	30800017	6
	lever with ball bearing roller	-	-	0,4 to 1,2	88130804 (1)	30800012	30800018	6
	flexible roller	-	-	0,3 to 1,2	88130807 (1)	30800027	30800030	12
	rotating head alone	-	-	-	-	30800001	30800005	8
	valve alone				-	-	32000001	-
					-	31090002	31090001	9
	Lever roller acetal				88131001	31000011	-	-
	lever roller metal				88131005	31000013	31000006	10

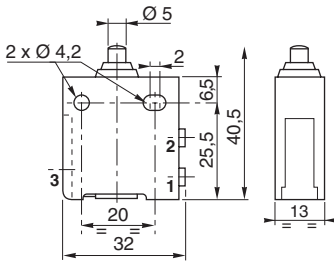
(1) The different levers are fitted to the valve with a head with a side spindle (code **30800001** or **30800005**)

	operators		pilot effort daN	code		type
	pilot	return		threaded G1/4	threaded G1/8	
3/2 - roller pilot						
	roller	spring	4,8	55102084	-	14
3/2 - lever control						
	roller-lever	spring	2	-	55000046	11
	tappet	spring	3	-	55000047	13
5/2 - lever control						
	roller-lever	spring	2	-	55000012	7

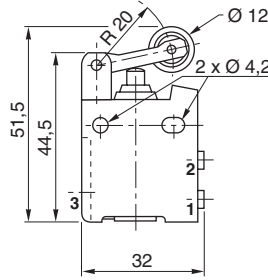
3/2 MECHANICALLY OPERATED MICROVALVES

DIMENSIONS

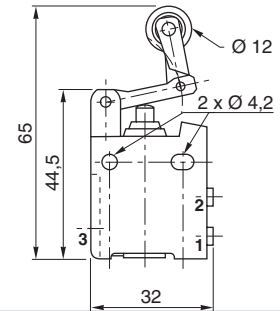
Type 1



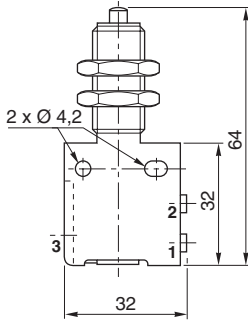
Type 2



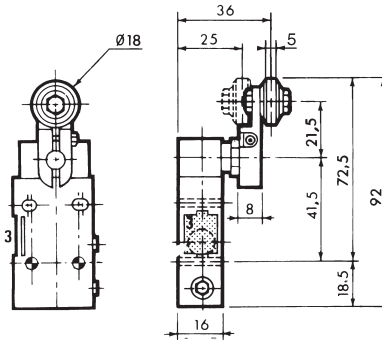
Type 3



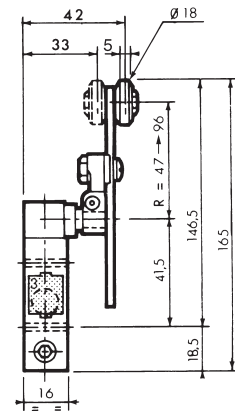
Type 4



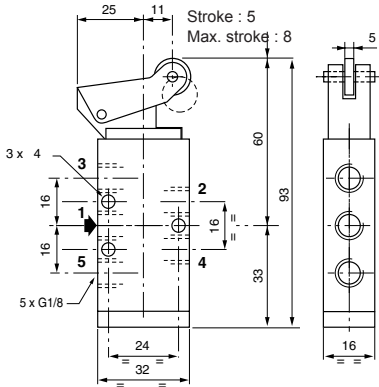
Type 5



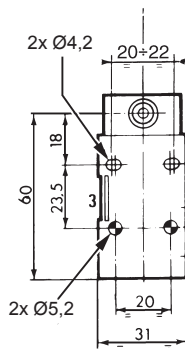
Type 6



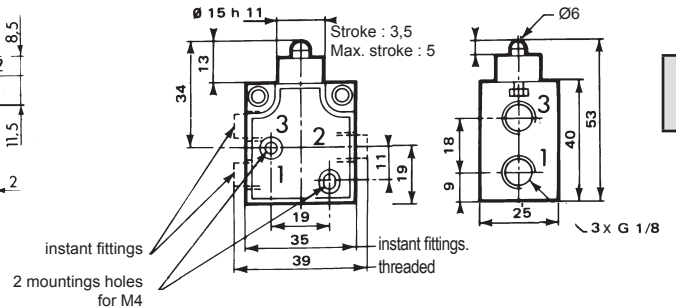
Type 7



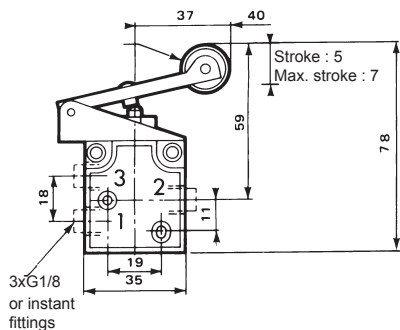
Type 8



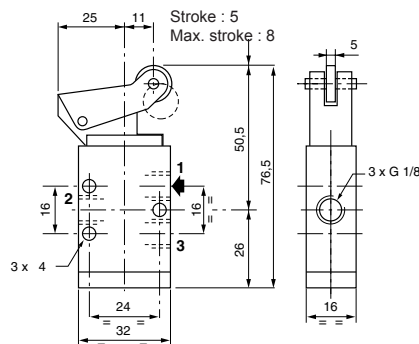
Type 9



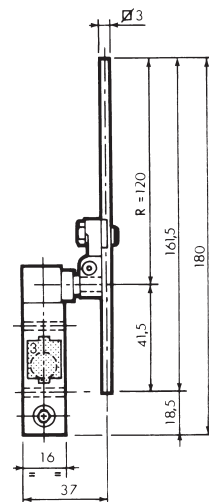
Type 10



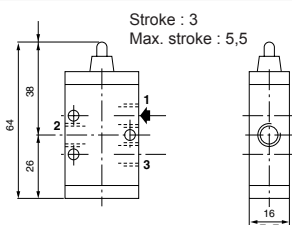
Type 11



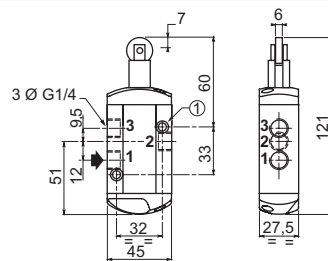
Type 12



Type 13



Type 14



2013/R01
Availability, design and specifications are subject to change without notice. All rights reserved.

MINI SPOOL VALVES

3/2-5/2

550 series

MANUALLY OPERATED

G1/8



Fluids	air filtered, lubricated or not
Operating pressure	0 to 10 bar
Ambient temperature	-10°C to +60°C
Flow (Qv at 6 bar) (ANR)	200 l/min
Body	anodized light alloy

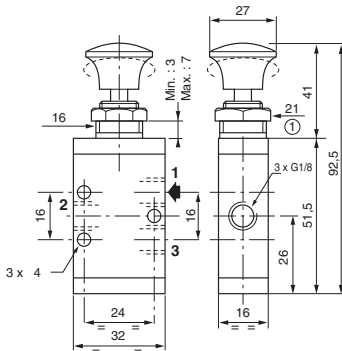
- 3/2 spool valves can be used as a 3/2 NC or 3/2 NO, by connecting ports as indicated below
- Possible mounting panel (percing diameter 16,5)

YOUR SELECTION

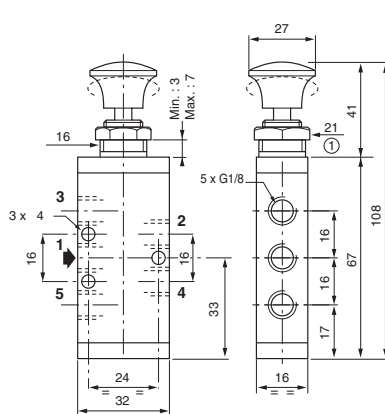
operators		code				
control	return	return	type	5/2	type	
push button	spring		55000040	1		55000009 3
button push-pull			55000039	1		55000010 3
lever - lever detented			55000043	2		55000011 4

DIMENSIONS

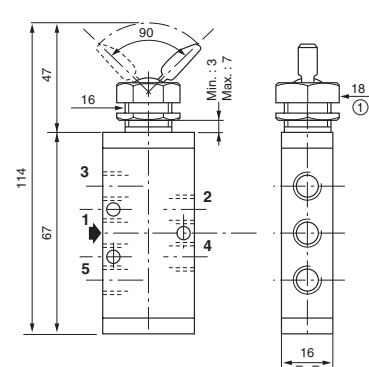
Type 1



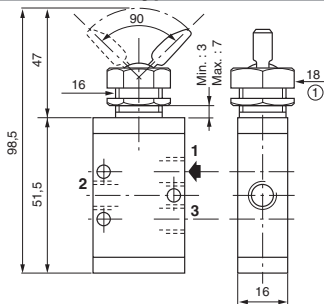
Type 3



Type 4



Type 2



3/2 NC Ports
1 : Pressure
2 : Outlet
3 : Exhaust

3/2 NO Ports
1 : Exhaust
2 : Outlet
3 : Pressure

5/2 Ports
1 : Pressure
2-4 : Outlet
3-5 : Exhaust

VALVE ISLANDS

26 mm - 503 series

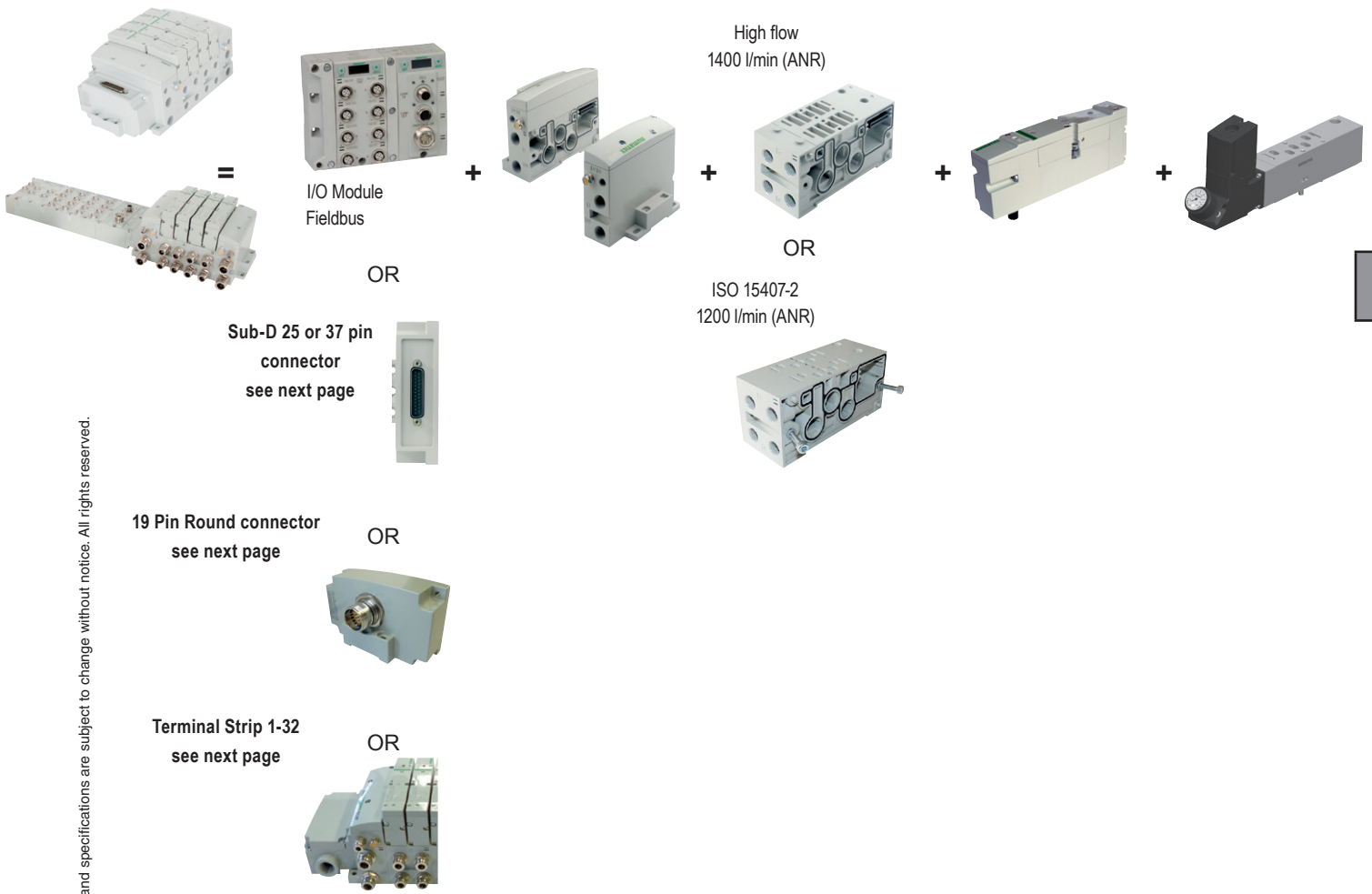


Connection ports 2-4	G 3/8 or with instant fittings Ø10 / 12 mm O.D.		
Fluids	air or inert gas		
Operating pressure	-0,95 to 8 bar (external pressure supply - except for 3/2) 2 to 8 bar (for 3/2)		
Pilot pressure	2 to 8 bar		
Ambient temperature	-10°C to +50°C		
Flow (Qv) at 6 bar (ANR) 2 x 3/2 NC-NO 5/2 5/3 W1 5/3 W2 5/3 W3	Technology	High flow subbase	ISO 15407-2 subbase
	Rubber packed spool	1000-950 l/min	900 l/min
		1400 l/min	1200 l/min
		1400 l/min	1200 l/min
		1300 l/min	1100 l/min
		600 l/min	600 l/min
Sealings	NBR (nitrile) + PUR (polyurethane)		
Power	1,4 W / 1,7 W (hot/cold)		
Standard voltage	24 V DC (=)		

- High performance, compact size, 26 mm width spool valves and a flow of up to 1400 l/min
- Rubber packed spool technology for high flow and all functions available
- The same spool valve mounted on high flow or ISO 15407-2 double joinable subbase

HOW TO ORDER

Assembled island	Electrical connection	end plates	dual subbase	spool valve	sandwich accessories
	see next page	see next page	see next page	see page 80	see page 80



SOLENOID AIR OPERATED VALVE ISLANDS

YOUR SELECTION - MANIFOLD ASSEMBLY

15-DIGIT PRODUCT CODE

G 503 A V 3 B 3 0 0 V A00

Thread connection
G = ISO 228/1
K = Push-in connectors

Product series
503

Revision letter
A = Initial release

Product type
V = Valve Manifold Assembly

Electronics
3 = G3 Fieldbus Electronics
J = 25 Pin Sub-D Connector
M = 37 Pin Sub-D Connector

Options
A00 = Standard (no options)
MUF = Muffler in End Plates
DRM = DIN Rail Mount
DWM = DIN Rail Mount with Muffler
14X = External pilot supply from port 14
D12 = External pilot supply from port 14 and Muffler in End Plates
D14 = External pilot supply from port 14 and DIN Rail Mount
F06 = External pilot supply from port 14 Muffler in End Plates and DIN Rail Mount

End Plate Style
V = Vertical

End Plate Port Size
3 = 3/8
K = 10 mm
M = 12 mm

Number of Valve Stations

B = 2	N = 14	Z = 26
D = 4	P = 16	3 = 28
F = 6	R = 18	5 = 30
H = 8	T = 20	7 = 32
J = 10	V = 22	
L = 12	X = 24	

Maximum Solenoid Outputs

Terminal Strip 1-32	25 Pin Sub-D Connector	37 Pin Sub-D Connector	19 Pin Round Connector	G3 Fieldbus Electronics
32	22	32	16	32

*Note: Maximum number of valve stations is determined by:

- The electrical connection type
- The valve type: single and/or double solenoid valves
- Combination of all stations cannot exceed 32

YOUR SELECTION - SUBBASES

MANIFOLD ASSEMBLY

15-DIGIT PRODUCT CODE

G 503 A M V2 2 M A00 1 0

Thread connection
G = ISO 228/1
K = Push-in connectors

Product series
503

Revision letter
A = Initial release

Product type
M = Manifold base
Z = Mid station supply

Mounting
M2 = Manifold base, 2 stations, side port, double Z-Board


Not use

Interface
1 = High flow subbase
2 = ISO 15407-2

Options
A00 = Standard

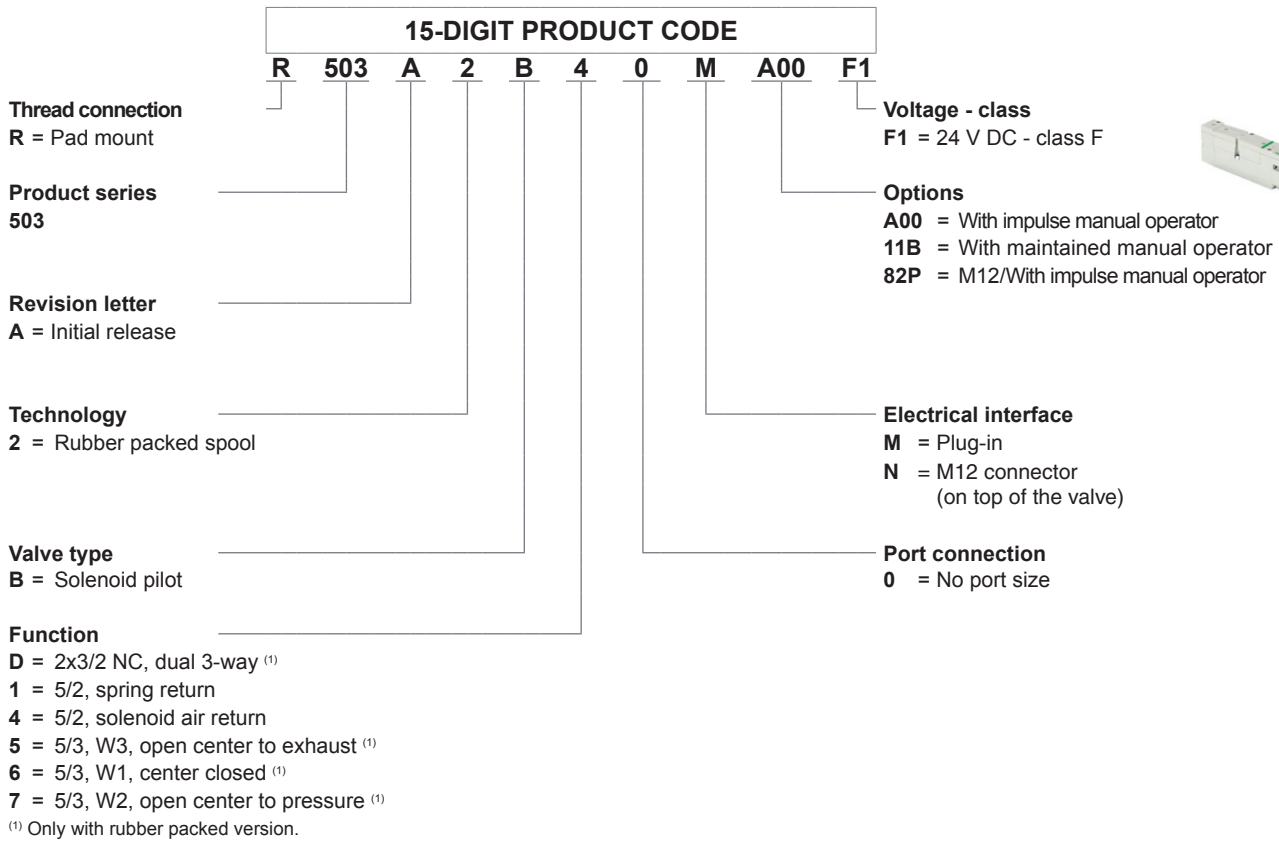
Wiring option
M = Plug-in

Port connection
2 = 1/4 (manifold base)
H = 6 x 8 mm (push-in connector)
K = 8 x 10 mm (push-in connector)

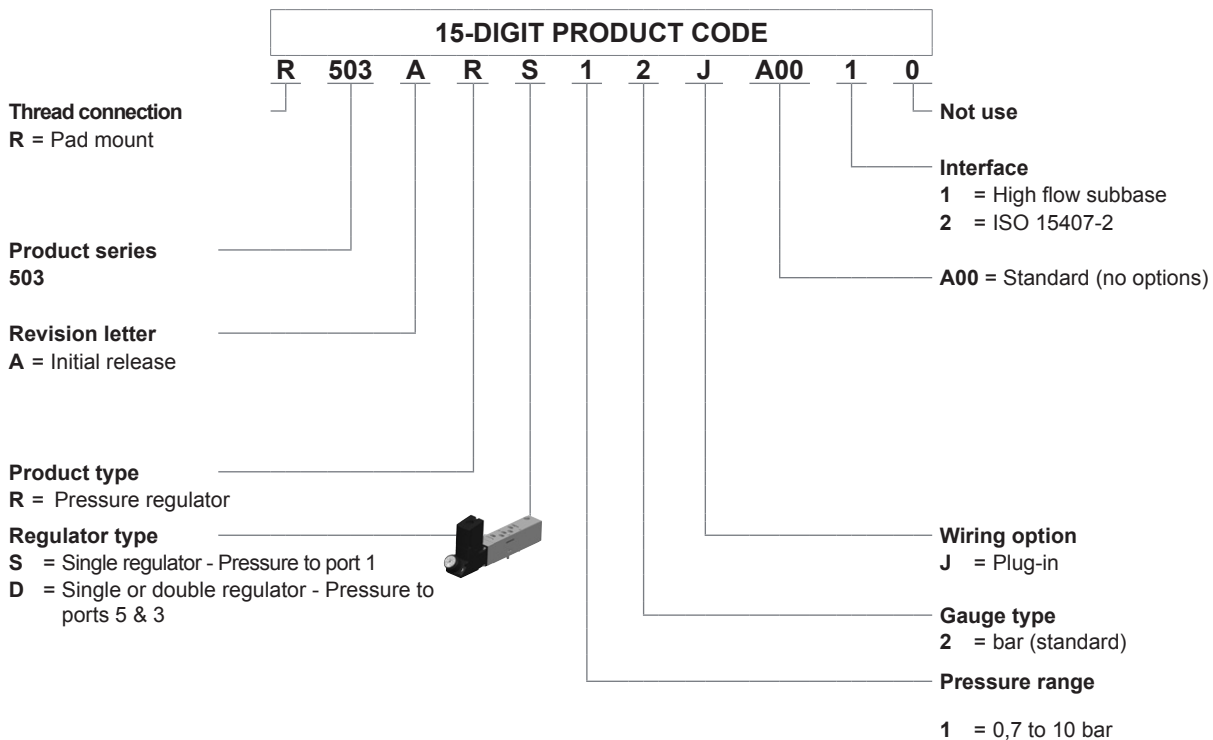


SOLENOID AIR OPERATED VALVE ISLANDS

YOUR SELECTION - VALVES



YOUR SELECTION - REGULATORS



SOLENOID AIR OPERATED VALVE ISLANDS

YOUR SELECTION - G3 ELECTRONICS

G3 EP1 00 R 0 STD

Electronics Protocols

- CO1 = CANopen®
- DN1 = DeviceNet™
- EM1 = EtherNet ModBus®/TCP
- EP1 = EtherNet/IP™
- PT1 = PROFIBUS DP
- PN1 = PROFINET
- DS2 = Backplane extension Valve Manifold
- DS3 = Backplane extension I/O Assembly

Number of I/O Modules

- 00 = 0 09 = 9
- 01 = 1 10 = 10
- 02 = 2 11 = 11
- 03 = 3 12 = 12
- 04 = 4 13 = 13
- 05 = 5 14 = 14
- 06 = 6 15 = 15
- 07 = 7 16 = 16
- 08 = 8

Left Mounting

- D = w/ Backplane extension Out
- H = w/ Terminating Resistor

Special Options

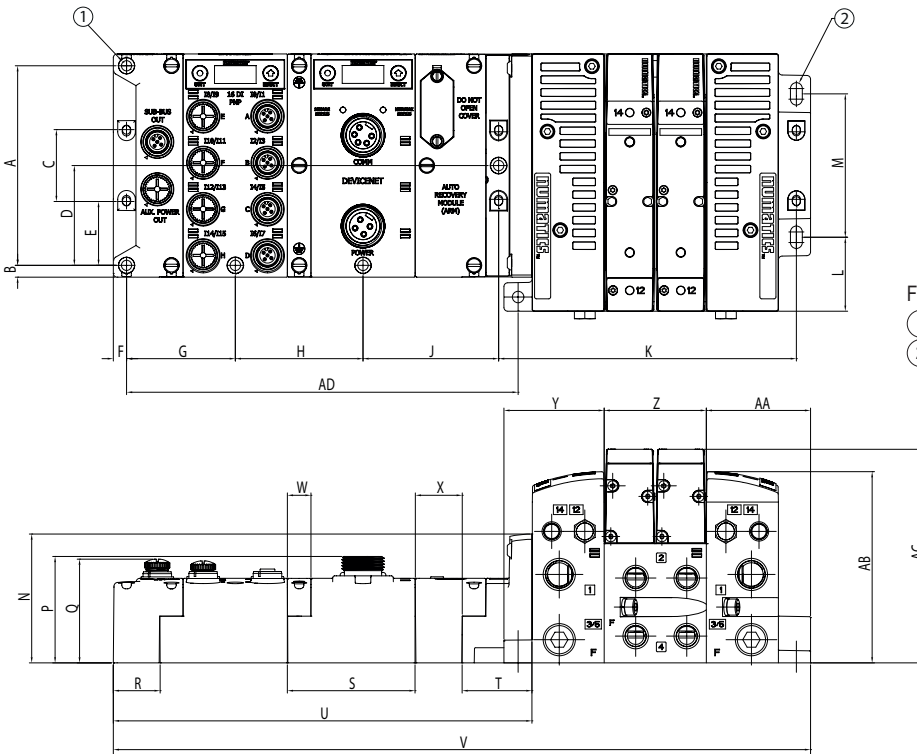
- STD = Standard
- DRM = DIN Rail Mounting

Modification

- 0 = Initial release

DIMENSIONS

Manifold assembly (G3 fieldbus)



For use with optional DIN rail hardware

- ① Clearance holes for M5 or 10 mm dia. screws
- ② 6,3 wide slot (2) places

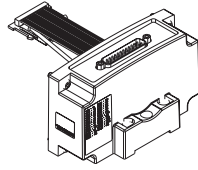
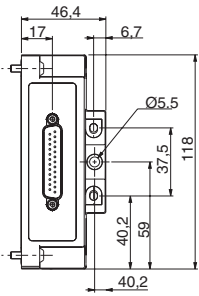
A	B	C	D	E	F	G	H	J	K	L	M	N	P	Q	R	S	T	U
105,5	6,3	38	52,8	33,8	7	57,5	67,5	71,7	157,4	39,1	75,8	68,1	56,3	54	24,8	67,5	36,9	221,3
V	W	X	Y	Z	AA	AB	AC	AD										
368,6	12,5	24,8	53	54	55,1	101,1	112,9	207										

SOLENOID AIR OPERATED VALVE ISLANDS

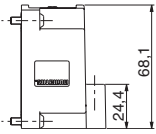
DIMENSIONS

Multiwire electrical connections

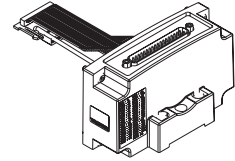
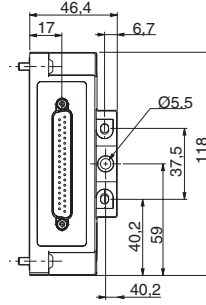
25 Pin Sub-D Connector Kit



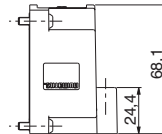
P599AE428441001	25 PIN SUB-D ASSEMBLY WITHOUT DIN RAIL
P599AE428441002	25 PIN SUB-D ASSEMBLY WITH DIN RAIL
NDB25F22U02MSB3	CABLE LENGTH 2 m
NDB25F22U05MSB3	CABLE LENGTH 5 m
NDB25F22U10MSB3	CABLE LENGTH 10 m



37 Pin Sub-D Connector Kit



P599AE428442001	37 PIN SUB-D ASSEMBLY WITHOUT DIN RAIL
P599AE428442002	37 PIN SUB-D ASSEMBLY WITH DIN RAIL
NDB37F22U02MSB3	CABLE LENGTH 2 m
NDB37F22U05MSB3	CABLE LENGTH 5 m
NDB37F22U10MSB3	CABLE LENGTH 10 m



Digital I/O 5-pin M12 Modules

- With short circuit protection integrated

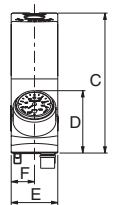
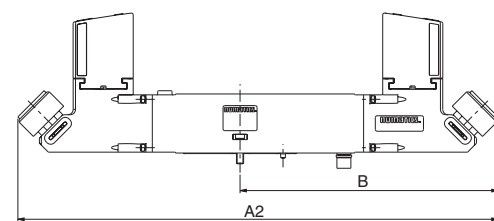
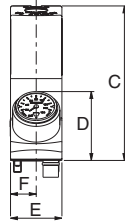
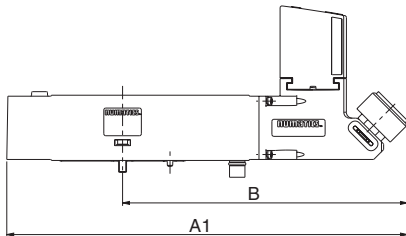
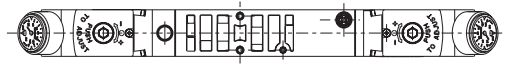
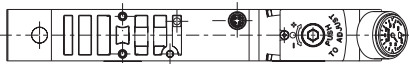


	signal type	code
Inputs	8 Inputs	240-206
	16 Inputs	240-205

Sandwich Pressure Regulators

Single Regulator

Double Regulator



dimensions (mm)

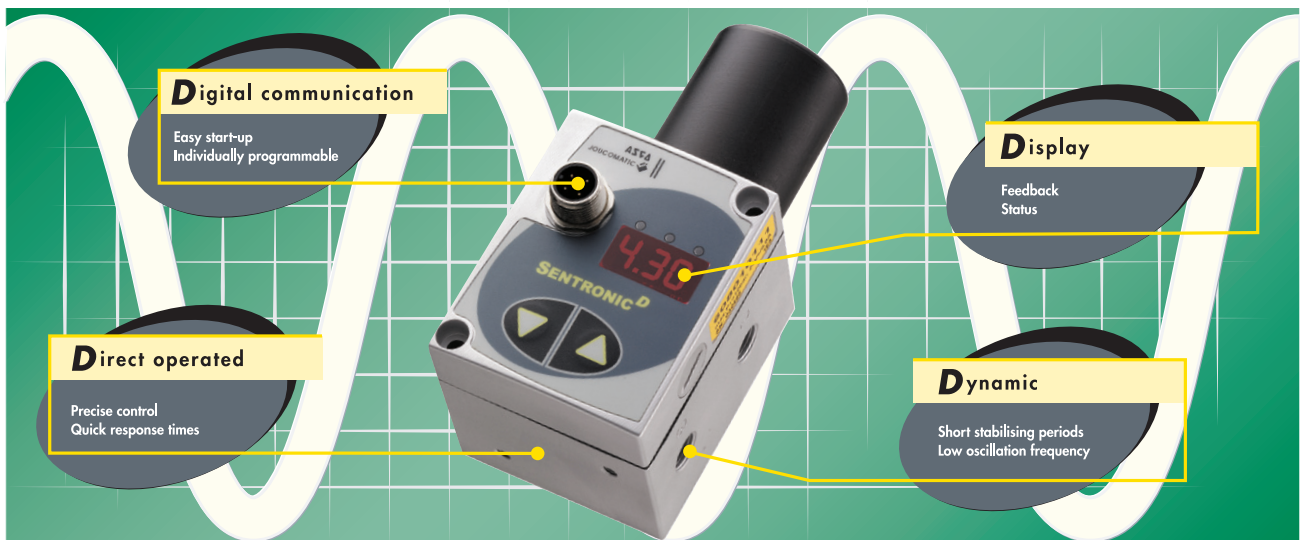
A1	A2	B	C	D	E	F
202,7	268,2	144,1	78,2	34,8	26	13

PROPORTIONAL VALVES



YOUR SELECTION

type	body		pipe size G					max. pressure bar	flow at 6 bar (ANR) l/min	type of application			visual	series	page
	subbase mounting	threaded	1/8	1/4	3/8	1/2	1			static	dynamic	step			
SENTRONIC ^D	●	●	●	●				10	470 ... 1300	●	●	●	1	608-609	83
Pulstronic II		●		●				12	470	●		●	2	605	85
SENTRONIC ^{PLUS}		●	●	●		●	●	20	210 ... 5600	●	●	●	3	614	86



PROPORTIONAL VALVE PRESSURE REGULATOR WITH DIGITAL ELECTRONICS


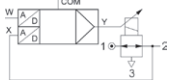
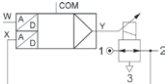
SENTRONIC^D
threaded 1/8", 1/4" or
subbase-mounted version



Fluids	air, inert gas, filtered at 50 µm, without condensate, lubricated or not
Pressure range	refer to selection table
Fluid temperature	0°C to +60°C
Ambient temperature	0°C to +50°C
Flow (Qv at 6 bar)	G 1/8 = 470 l/min, G 1/4 = 1300 l/min
Electrical setpoint	0-10 V / 4-20 mA
Sensor output	0-10 V / 4-20 mA
Hysteresis	< 1 % of span
Linearity - repeatability	< 0,5 % of span
Body	aluminium
Sealings	FPM (fluoroelastomer) and NBR (nitrile)
Standard voltage DC (=)	24 V ± 10 %

- Digital communication and control technology
- Integrated display with push-buttons
- Direct operated valve
- Dynamic behaviour
- Can be used on a standard compressed air network (50 µm filtration)

YOUR SELECTION

	pressure range	maximum allowable pressure	max. power	pipe size	flow at 6 bar (ANR)	code	
	bar	bar	W	G	l/min	setpoint 0-10V	setpoint 4-20mA
threaded body							
	0 - 6	9	21	1/8	470	608060111	608062311
	0 - 10	13				608010111	608012311
	0 - 6	9	40	1/4	1300	609060111	609062311
	0 - 10	13				609010111	609012311
subbase-mounted							
	0 - 6	9	21	1/8	470	608260111	608262311
	0 - 10	13				608210111	608212311
	0 - 6	9	40	1/4	1300	609260111	609262311
	0 - 10	13				609210111	609212311

OPTIONS AND ACCESSORIES

Female M12 connector cable entry Ø 6 bis 8 mm:
straight - code:

88100256

Supply cable 2m ; 5x0,25mm², right-angle connector- code:

88100727

RS-232 converter, 2 m cable with 9 pin Sub-D connector for PC link

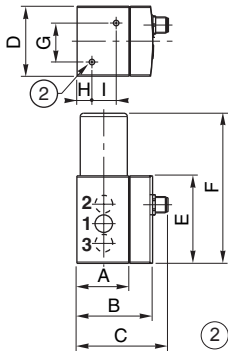
88100732

Setpoint 0-20 mA
code: sixth digit = 1
e.g.: **608011111**

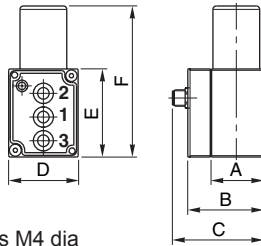
Sensor output:
0-20mA: code: 7th digit=2
4-20mA: code: 7th digit= 3
e.g.: **608010211**

DIMENSIONS

threaded connections



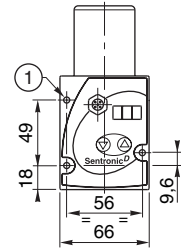
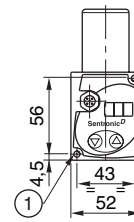
subbase-mounted version



front mounting

G 1/8

G 1/4



code

dimensions
mm

A B C D E F G H I

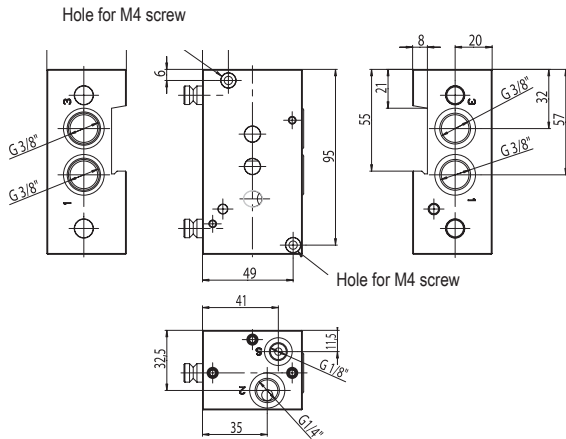
Threaded body

608060111	608062311	38,5	56,3	67,8	52	65	111,5	29	11	18
608010111	608012311	48,5	66,3	77,8	66	85	137,5	40	13	24

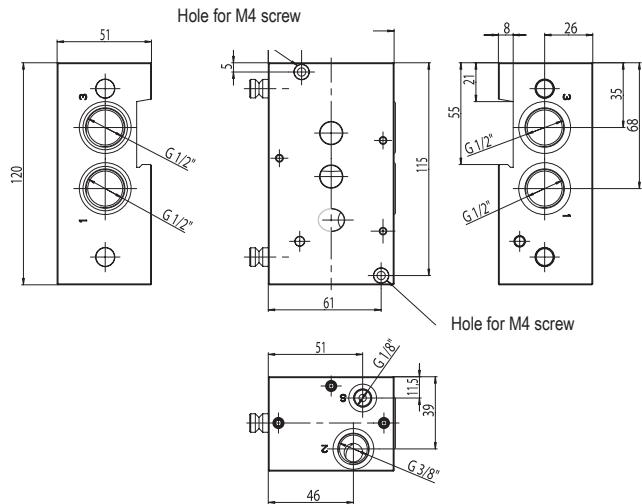
Subbase-mounted version

608260111	608262311	38,5	56,3	67,8	52	65	111,5	-	-	-
608210111	608212311	48,5	66,3	77,8	66	85	137,5	-	-	-

subbase DN 4



subbase DN 8



PROPORTIONAL VALVE PRESSURE REGULATOR VALVE

605 series

WITH DIGITAL ELECTRONICS


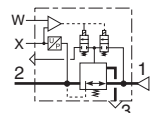
PULSTRONIC II
threaded 1/4"



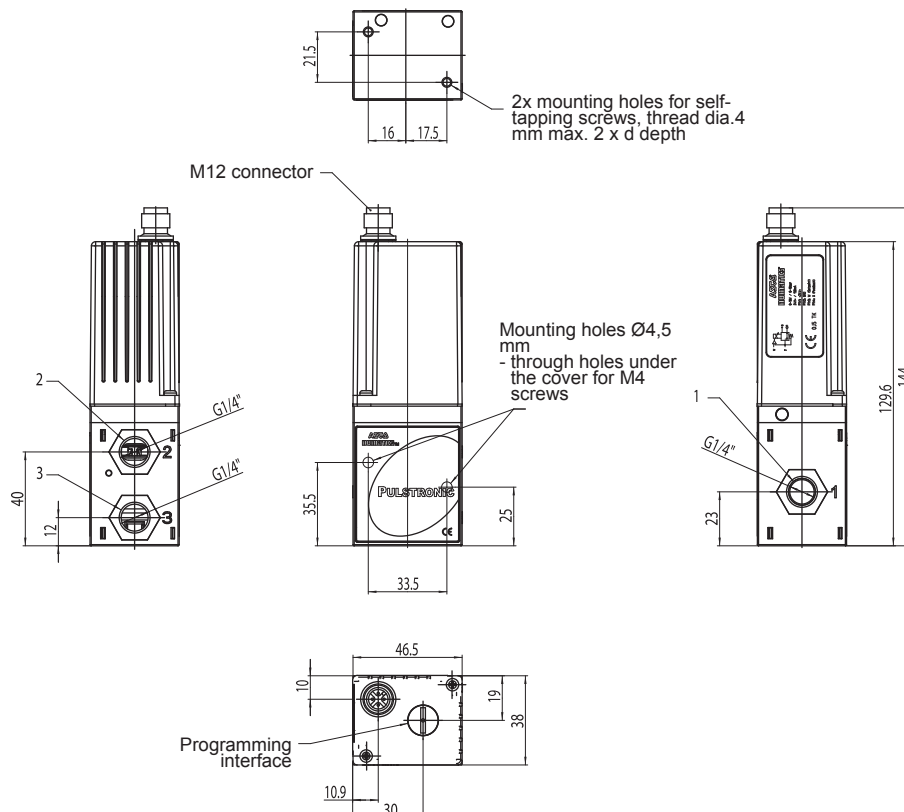
Fluids	air, inert gas, filtered at 50 µm, without condensate, lubricated or not
Pressure range	refer to selection table
Fluid temperature	0°C to +60°C
Ambient temperature	0°C to +50°C
Flow (Qv at 6 bar)	G 1/4 = 470 l/min
Electrical setpoint	0-10 V / 4-20 mA
Sensor output	0-10 V / 4-20 mA
Hysteresis	< 1 % of span
Linearity - repeatability	< 0,5 % of span
Body	POM (polyacetal)
Sealings	FPM (fluoroelastomer) and NBR (nitrile)
Standard voltage DC (=)	24 V ± 10 %

- Digital communication and control technology
- Integrated display with push-buttons
- Compact size
- Low power consumption
- Can be used on a standard compressed air network (50 µm filtration)

YOUR SELECTION

	pressure range	maximum allowable pressure	max. power	pipe size	flow at 6 bar (ANR)	code	
	bar	bar	W	G	l/min	setpoint 0-10V	setpoint 4-20mA
threaded body							
	0 - 6	8	3,6	1/4	470	605D0106	605D2306
	0 - 10	12				605D0100	605D2300

DIMENSIONS



PROPORTIONAL VALVE PRESSURE REGULATOR

614 series

WITH DIGITAL ELECTRONICS

SENTRONIC^{PLUS}


threaded 1/8", 1/4", 1/2" or 1"

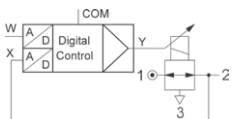


Fluids	air, inert gas, filtered at 50 µm, without condensate, lubricated or not
Pressure range	refer to selection table
Fluid temperature	0°C to +60°C
Ambient temperature	0°C to +50°C
Flow (Qv at 6 bar)	G1/8 = 210 l/min, G1/4 = 700 l/min, G1/2 = 1400, G1 = 5600 l/min
Electrical setpoint	0-10 V / 4-20 mA
Sensor output	0-10 V / 4-20 mA
Hysteresis	< 1 % of span
Linearity - repeatability	< 0,5 % of span
Body	G1/8 = brass, G1/4-G1 = aluminium
Sealings	FPM (fluoroelastomer) and NBR (nitrile)
Standard voltage DC (=)	24 V ± 10 %

- Digital communication and control technology
- Integrated display with push-buttons
- Direct operated valve
- Dynamic behaviour (high speed)
- Can be used on a standard compressed air network (50 µm filtration)

YOUR SELECTION

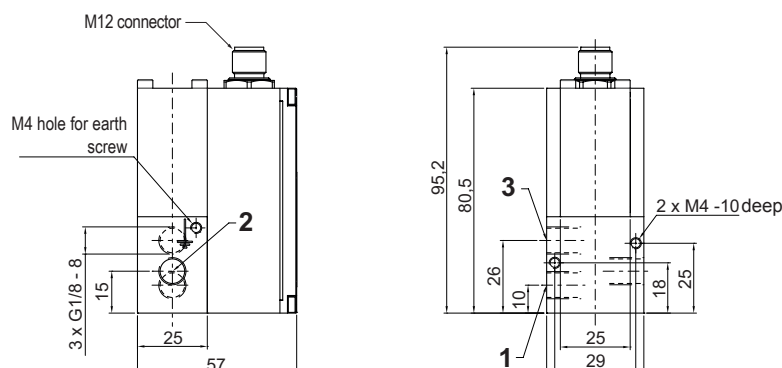
	pressure range	maximum allowable pressure	max. power	pipe size	flow at 6 bar (ANR)	code			
						with display		without display	
						setpoint 0-10V	setpoint 4-20mA	setpoint 0-10V	setpoint 4-20mA
threaded body									
	0 - 6	12				614357D701106	614357D723106	614357E701106	614357E723106
	0 - 10		12	1/8	210	614357D701110	614357D723110	614357E701110	614357E723110
	0 - 20	22				614357D701120	614357D723120	614357E701120	614357E723120
	0 - 6	12				614357D001106	614357D023106	614357E001106	614357E023106
	0 - 10		24	1/4	700	614357D001110	614357D023110	614357E001110	614357E023110
	0 - 20	22				614357D001120	614357D023120	614357E001120	614357E023120
	0 - 6	12				614357D101106	614357D123106	614357E101106	614357E123106
	0 - 12	14	34	1/2	1400	614357D101112	614357D123112	614357E101112	614357E123112
	0 - 6	12				614357D201106	614357D223106	614357E201106	614357E223106
	0 - 12	14	44	1	5600	614357D201112	614357D223112	614357E201112	614357E223112



DIMENSIONS

G 1/8

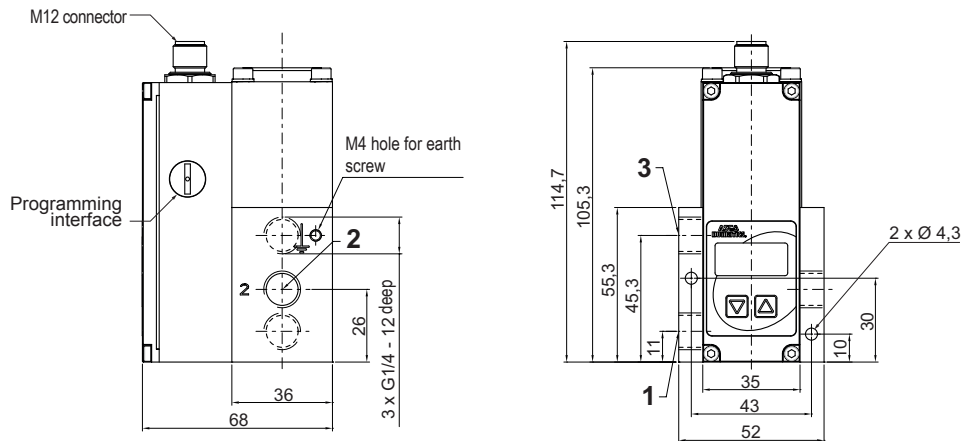
Weight: 0,550 kg



DIMENSIONS

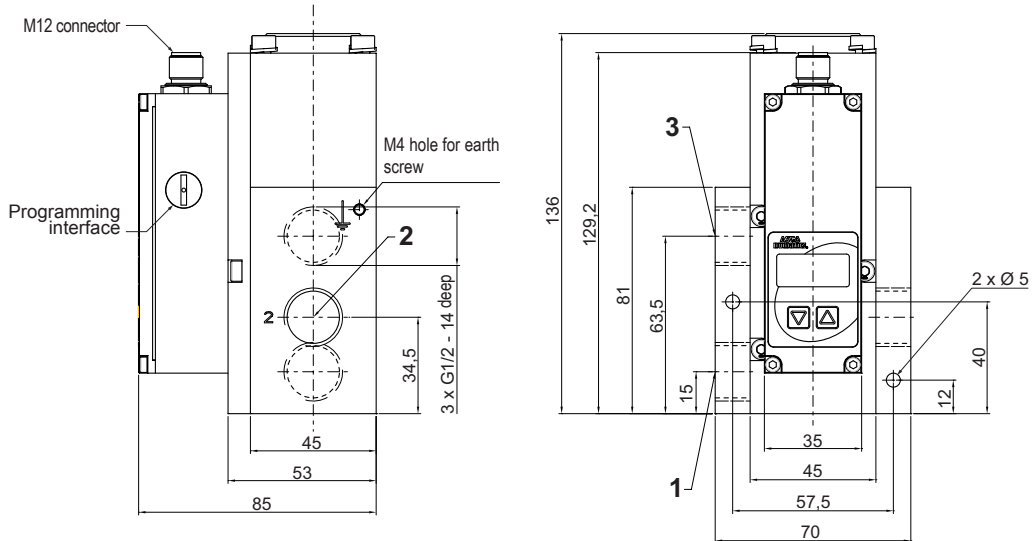
G 1/4

Weight: 0,850 kg



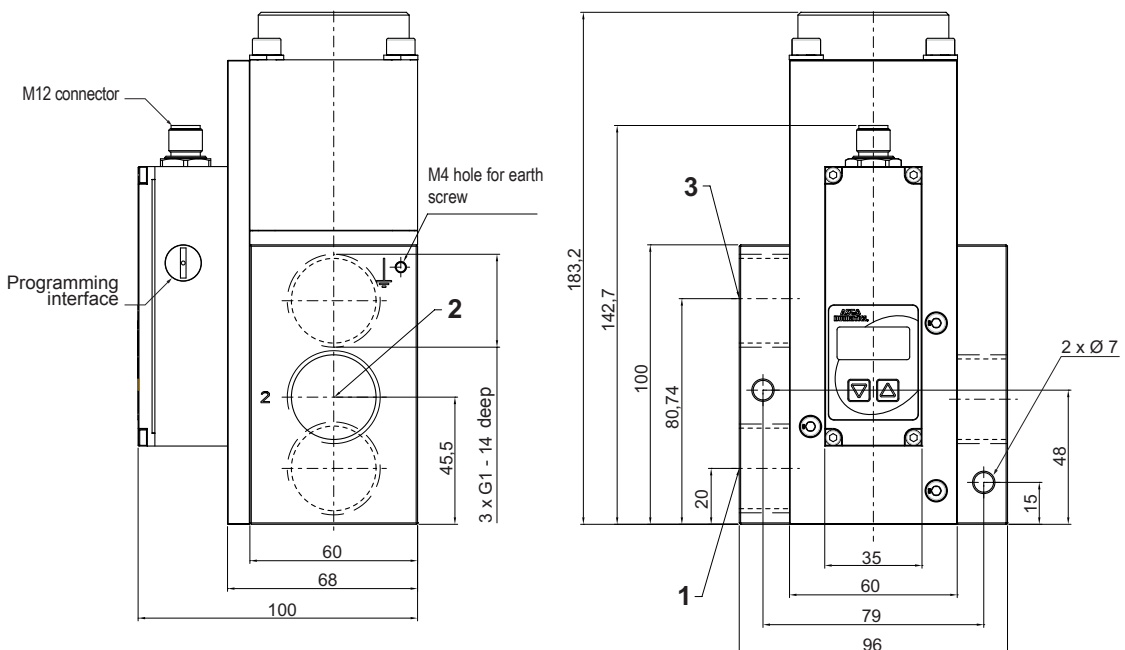
G 1/2

Weight: 1,650 kg



G 1

Weight: 3,400 kg



AIR SERVICE EQUIPMENT

Modulair filter/regulator lubricator



1 page 89

Modulair filter/regulator



2 page 90

Modulair filter



3 page 91

Modulair regulator



4 page 92

Modulair lubricator



5 page 93

Modulair - shut-off valves and soft-start units



6 page 94

Modulair isolation valves



7 page 95

Modulair by-pass module



8 page 96

YOUR SELECTION

pipe size G								control soft-start unit		type	flow at 6 bar (ANR) l/min	visual	series	page	
1/8	1/4	3/8	1/2	3/4	1	1 1/4	1 1/2	2	automatic						solenoid air operated
filter/regulator + lubricator															
●	●										Modulair 105	400 / 550	1	342	89
●	●										Modulair 107	700 / 1500			
		●	●								Modulair 112	5200 / 5600			
				●	●	●	●				Modulair 160	8600 / 14650			
filter/regulator															
●	●										Modulair 105	550 / 650	2	342	90
●	●										Modulair 107	700 / 1500			
		●	●								Modulair 112	5200 / 5600			
				●	●	●	●				Modulair 160	13200 / 19000			
filter															
	●										Modulair 107	1950	3	342	91
		●	●								Modulair 112	3000 / 3800			
				●	●	●	●				Modulair 160	10400 / 11400			
regulator															
●	●										Modulair 105	550 / 650	4	342	92
●	●										Modulair 107	1200 / 1300			
		●	●								Modulair 112	5500 / 7000			
				●	●	●	●				Modulair 160	14600 / 20000			
lubricator															
●	●										Modulair 107	1350 / 5400	5	342	93
		●	●								Modulair 112	> 6500			
				●	●	●	●				Modulair 160	16000 / 17700			
shut-off valve and soft-start unit															
	●								●		Modulair 107	1000	6	342	94
		●	●						●	●	Modulair 112	2700			
				●	●	●	●		●	●	Modulair 160	10500 / 12000			
isolation valve / by-pass module															
●	●	●	●	●	●	●	●				Mod.107-112-160	-	7-8	342-343	95-96
assembly kits / mounting brackets															
											Modulair	-	-	343	97

2013/R01 Availability, design and specifications are subject to change without notice. All rights reserved.

FILTER/REGULATOR + LUBRICATOR SYSTEMS

Type Modulair 105-107-112-160
G 1/8 to G 1 1/2



		Modulair 105	Modulair 107-112	Modulair 160
Fluids		compressed air or neutral gas		
Max. inlet pressure	at 23°C	12 bar	16 bar	16 bar
	at 50°C	10 bar	10 bar	12 bar
Ambient temperature		0°C to +50°C		
Filtering capacity		25 µm		30 µm
Filter element		PE (polyethylene)		sintered bronze
Body		polyamide (PA)	painted zamak	
Bowls		polycarbonate (PC) with bowl protector		metallic with level sight glass

- Modular, compact range for all types of pneumatic circuits
- Fast on-site assembly with filter, regulator and lubricator in one "single unit"
- Lightweight and robust for direct mounting to rigid piping

YOUR SELECTION

pipe size G	Modulair	controlled pressure bar	bowl capacity			flow at 6 bar (ANR) l/min	code		dimensions (mm)			
			total cm ³	max. condensate (filter) cm ³	max. for oil (lubricator) cm ³		with gauge	without gauge	A	B	C	D
filter/regulator + lubricator unit WITH bowl protector and semi-automatic drain function												
1/8	105	0,5 ... 8	28	10	23	400	34225183	34225181	172	41	84	69
1/4						550	34225184	34225182	172	41	84	69
1/8	107	0,5 ... 10	50	12	30	700	34204131	-	213	42	84	79
1/4						1500	34204132	34204128	213	42	84	79
1/4	112	0,5 ... 10	114	40	73	3200	34203290	34203302	250	55	132	94,5
3/8						5200 *	34203291	34203303	250	55	132	94,5
1/2	160	0,5 ... 12	520	130	500	5600 *	34203292	34203304	250	55	132	94,5
3/4						8600	34207241	34207237	345	90	180	133
1	160	0,5 ... 16	520	130	500	14650	34207242	34207238	345	90	180	133
1 1/2						14650	34207244	34207240	345	90	180	133
3/4	160	0,5 ... 16	520	130	500	8600	34207313	34207309	345	90	180	133
1						14650	34207314	34207310	345	90	180	133
1 1/2	14650	34207316	34207312	345	90	180	133					
filter/regulator + lubricator unit WITHOUT bowl protector and WITH semi-automatic drain function												
1/8	105	0,5 ... 8	28	10	23	400	34225103	34225101	172	41	84	69
1/4						550	-	34225102	172	41	84	69
1/8	107	0,5 ... 10	50	12	30	700	34204137	-	213	42	84	79
1/4						1500	34204138	34204134	213	42	84	79
1/4	112	0,5 ... 10	114	40	73	3200	34203314	34203326	250	55	132	94,5
3/8						5200	34203315	34203327	250	55	132	94,5
1/2	5600	34203316	34203328	250	55	132	94,5					
filter/regulator + lubricator unit WITH bowl protector and automatic drain function												
3/8	112	0,5 ... 10	114	40	73	5200	34203397	34203394	250	55	132	94,5
1/2						5600	34203398	34203395	250	55	132	94,5
3/4	160	0,5 ... 12	520	130	500	8600	34207257	34207253	345	90	180	133
1						14650	34207258	34207254	345	90	180	133
1 1/2	160	0,5 ... 16	520	130	500	14650	34207260	-	345	90	180	133
3/4						8600	34207329	34207325	345	90	180	133
1	160	0,5 ... 16	520	130	500	14650	34207330	34207326	345	90	180	133
1 1/2						14650	34207332	-	345	90	180	133

*: upstream pressure 10 bar

DIMENSIONS

(See page 98)

OPTIONS AND ACCESSORIES

(See page 97)

COMBINED FILTERS / REGULATORS

Type Modulair 105-107-112-160

G 1/8 to G 1 1/2



		Modulair 105	Modulair 107-112	Modulair 160
Fluids		compressed air or neutral gas		
Max. inlet pressure	at 23°C	12 bar	16 bar	16 bar
	at 50°C	10 bar	10 bar	12 bar
Adjustable pressure		0,5 to 8 bar	0,5 to 10 bar	0,5 to 12 bar 0,5 to 16 bar
Ambient temperature		0°C to +50°C		
Filtering capacity		5 or 25 µm		5 or 30 µm
Filter element		PE (polyethylene)		sintered bronze
Body		polyamide (PA)	painted zamak	
Bowls		polycarbonate (PC) with bowl protector		metallic with level sight glass

- Fast on-site assembly with filter and regulator in one "single unit"
- Lightweight and robust for direct mounting to rigid piping

YOUR SELECTION

pipe size G	Modulair	controlled pressure bar	bowl capacity		flow at 6 bar (ANR) l/min	filtering capacity µm	code		dimensions (mm)			
			total cm ³	max. condensate cm ³			with gauge	without gauge	A	B	C	D
filter/regulator WITH bowl protector and semi-automatic drain												
1/8	105	0,5 ... 8	28	10	550	25	-	34225201	172	41	42	69
1/4					650	25	34225204	34225202	172	41	42	69
1/8	107	0,5 ... 10	50	12	700	25	-	34204045	213	42	42	79
1/4					1500	25	34204050	34204046	213	42	42	79
1/4	112	0,5 ... 10	114	40	1100	5	34204056	34204052	213	42	42	79
1/4					3200	25	34203086	34203080	251	55	66	94,5
3/8					5200 *	25	34203087	34203081	251	55	66	94,5
1/2					5600 *	25	34203088	34203082	251	55	66	94,5
1/4					3200	5	34203098	34203092	251	55	66	94,5
1/2					5600	5	34203100	34203094	251	55	66	94,5
3/4	160	0,5 ... 12	500	300	10100	30	34207093	34207089	182	90	90	133
1					13500	30	34207094	34207090	182	90	90	133
1 1/2					13500	30	34207096	34207092	182	90	90	133
3/4					10100	30	34207165	34207161	182	90	90	133
1					13500	30	34207166	34207162	182	90	90	133
1 1/2					13500	30	34207168	34207164	182	90	90	133
filter/regulator WITHOUT bowl protector and WITH semi-automatic drain												
1/4	105	0,5 ... 8	28	10	650	25	34225124	34225122	172	41	42	69
1/8	107	0,5 ... 10	50	12	700	25	-	34204069	213	42	42	79
1/4					1500	25	34204074	34204070	213	42	42	79
1/4	112	0,5 ... 10	114	40	3200	25	34203372	34203340	251	55	66	94,5
3/8					5200	25	34203373	34203341	251	55	66	94,5
1/2					5600	25	34203374	34203342	251	55	66	94,5
filter/regulator WITH bowl protector and WITH automatic drain												
3/8	112	0,5 ... 10	114	40	5200	25	-	34203130	251	55	66	94,5
1/2					5600	25	34203137	34203131	251	55	66	94,5
1/2					5600	5	34203149	-	251	55	66	94,5
3/4					10100	30	34207109	-	182	90	90	133
1					13500	30	34207110	34207106	182	90	90	133
1 1/2					13500	30	34207112	-	182	90	90	133
3/4	160	0,5 ... 12	160	300	10100	30	34207181	34207177	182	90	90	133
1					13500	30	34207182	34207178	182	90	90	133
1					13500	30	34207184	34207180	182	90	90	133
1 1/2					13500	30	34207184	34207180	182	90	90	133

*: upstream pressure 10 bar

DIMENSIONS

(See page 98)

FILTERS

Type Modulair 105-107-112-160

G 1/8 to G 1 1/2



		Modulair 105	Modulair 107	Modulair 112	Modulair 160
Fluids		compressed air or neutral gas			
Max. inlet pressure	at 23°C	12 bar	16 bar	16 bar	16 bar
	at 50°C	10 bar	10 bar	10 bar	12 bar
Ambient temperature		0°C to +50°C			
Filtering capacity		5 or 25 µm			30 µm
Filter element		PE (polyethylene)			sintered bronze
Body		painted zamak			
Bowls		polycarbonate (PC) with bowl protector			metallic with level sight glass

- Wide choice of filtering capacities for oil and water aerosols: 5, 10, 25 and 50 µm
- Condensate level control with manual, semi-automatic or automatic drain function, integrated in the body
- Compatible with main industrial environments: polycarbonate bowl with bowl protector, in metal

YOUR SELECTION

pipe size G	Modulair	bowl capacity		filtering capacity µm	flow at 6 bar (ANR) l/min	code	dimensions (mm)			
		total cm ³	max. condensate cm ³				A	B	C	D
filter - polycarbonate bowl WITH bowl protector and semi-automatic drain										
1/8	105	28	10	25	890	34225213	127,5	41	42	25
1/4				5	1050	34225254	127,5	41	42	25
1/4	107	50	12	25	1800	34204012	160	42	42	25
	112	114	40	5	1600	34204016	160	42	42	25
3/8	112	114	40	25	3000 *	34203002	187	55	66	30
				5	2800	34203008	187	55	66	30
1/2	112	114	40	25	3800 *	34203003	187	55	66	30
				5	3300	34203009	187	55	66	30
filter - polycarbonate bowl WITHOUT bowl protector and WITH semi-automatic drain										
1/4	105	28	10	25	1050	34225134	127,5	41	42	25
1/4	107	50	12	25	1800	34204024	160	42	42	25
1/4	112	114	40	25	2600	34203038	187	55	66	30
3/8					3000	34203039	187	55	66	30
1/2	112	114	40	25	3800	34203040	187	55	66	30
3/4					10400	34207009	333	90	90	40
1	160	500	130	30	11400	34207010	333	90	90	40
1 1/2					11400	34207012	333	90	90	40
filter - metal bowl with level display										
3/4	160	500	130	30	10400	34207001	333	90	90	40
1					11400	34207002	333	90	90	40
1 1/2	160	500	130	30	11400	34207004	333	90	90	40

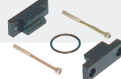
* upstream pressure 10 bar

OPTIONS AND ACCESSORIES

Mountings
Assembly kit for fitting additional accessories (see page 97)



Key lock device



Shut-off valves and soft-start units, Isolation valves, By-pass modules (see page 98)



Other filtration capacities. Other drain types: manual or automatic

Metal bowl (Modulair 112)



Mounted together



DIMENSIONS

(See page 98)

REGULATORS

Type Mini and Modulair 105-107-112-160

G 1/8 to G 1 1/2



	Mini	Modulair 105	Modulair 107-112-160
Fluids	compressed air or neutral gas		
Max. inlet pressure	12 bar	12 bar	16 bar
Adjustable pressure	refer to selection table		
Ambient temperature	-10°C to +60°C	0°C to +50°C	-10°C to +60°C
Body	polyamide (PA)		painted zamak

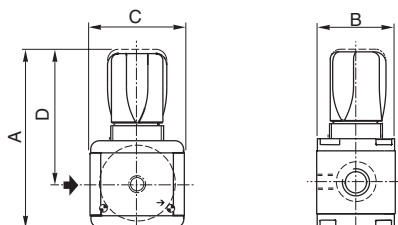
- Wide pressure range: from 0,2-0,5 bar to 3-8-10-16 bar
- Assures constant downstream pressure: device fitted with flexible diaphragm and automatic decompression
- Reliable and durable

YOUR SELECTION

pipe size G	Modulair	controlled pressure bar	flow at 6 bar (ANR) l/min	code		dimensions (mm)			
				with gauge	without gauge	A	B	C	D
regulator - standard regulation pressure range									
1/8	Mini (1)	0,5 ... 10	500	-	34200311	74	40	45	62
1/4			650	-	34200313	74	40	45	62
1/8	105	0,5 ... 8	550	34225007	34225005	90	41	42	69
1/4			650	34225008	34225006	90	41	42	69
1/8	107	0,5 ... 10	700	34504037	34204033	122	42	42	96
1/4			1200	34204038	34204034	122	42	42	96
1/4	112	0,5 ... 10	3900	34203058	34203052	143	55	66	113
3/8			5500	34203059	34203053	143	55	66	113
1/2	160	0,5 ... 12	7000	34203060	34203054	143	55	66	113
3/4			11000	34207077	34207073	182	90	90	133
1	160	0,5 ... 16	16000	34207078	34207074	182	90	90	133
1 1/2			16000	34207080	34207076	182	90	90	133
3/4	160	0,5 ... 16	11000	34207085	34207081	182	90	90	133
1			16000	34207086	34207082	182	90	90	133
1 1/2			16000	34207088	34207084	182	90	90	133
regulator - standard regulation pressure range - prepared to receive a key locking device									
1/4	107	0,5 ... 10	1300	-	34260171	122	42	42	96
3/8	112	0,5 ... 10	3000	-	34260175	143	55	66	113
regulator - low regulation pressure range (0,2 - 3 bar)									
1/8	Mini (1)	0,2 ... 3	500	-	34200312	74	40	45	62
1/4			650	-	34200314	74	40	45	62
1/8	105	0,2 ... 3	550	34225261	34225259	90	41	42	69
1/4			650	34225262	34225260	90	41	42	69
1/4	107	0,2 ... 3	1200	34204044	34204040	122	42	42	96
1/4			3900	-	34203064	143	55	66	113
3/8	112	0,2 ... 3	5500	-	34203065	143	55	66	113
1/2			7000	34203072	34203066	143	55	66	113
regulator - low regulation pressure range (0,2 - 3 bar) - prepared to receive a key locking device									
1/4	107	0,2 ... 3	1300	-	34260170	122	42	42	96
3/8	112	0,2 ... 3	3000	-	34260174	143	55	66	113
Miniature regulator - water version									
1/4	105	0,2 ... 3	15	34225270	34225268	90	41	42	62

(1) supplied with top retaining ring

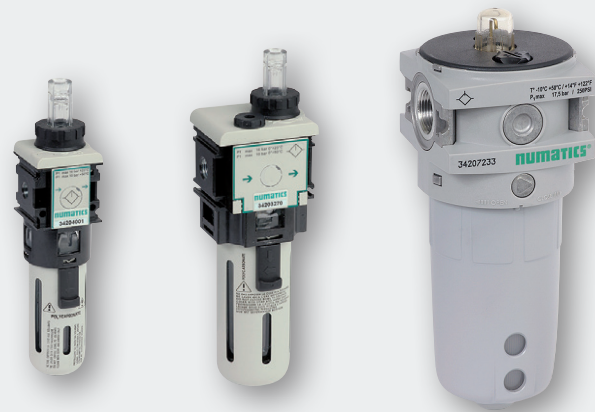
DIMENSIONS



LUBRICATORS

Type Modulair 107-112-160

G 1/8 to G 1 1/2



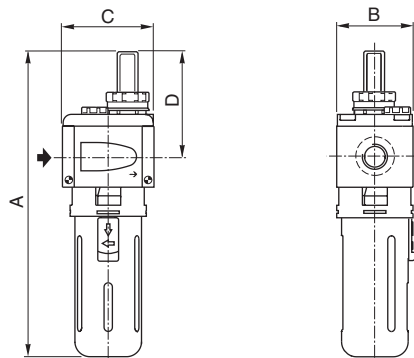
	Modulair 107	Modulair 112	Modulair 160
Fluids	compressed air or neutral gas		
Max. inlet pressure	at 23°C	12 bar	12 bar
	at 50°C	10 bar	10 bar
Ambient temperature	0°C to +50°C	0°C to +50°C	-10°C to +50°C
			(+60°C at 12,5 bar)
Body	painted zamak		
Bowls	polycarbonate (PC) with bowl protector		metallic with level sight glass

- Supplies a constant lubricant flow: venturi technology for perfect vaporisation of oil
- Oil level control management: by means of display. Refill pressurised or not pressurised
- Compatible with various industrial environments: plastic bowl with metal bowl protector

YOUR SELECTION

pipe size G	Modulair	bowl capacity		flow at 6 bar (ANR)	code	dimensions (mm)				
		total cm ³	max. for oil cm ³			A	B	C	D	
lubricator - polycarbonate bowl with protector										
1/8	107	50	30	1350	34204001	187	42	42	65	
1/4	107	50	30	2500	34204002	187	42	42	65	
1/4	112	114	73	3900	34203270	215	55	66	71	
3/8	112	114	73	> 6500	34203271	215	55	66	71	
1/2	112	114	73	> 6500	34203272	215	55	66	71	
lubricator - polycarbonate bowl without protector										
1/8	107	50	30	1350	34204005	107	42	42	65	
1/4	107	50	30	2500	34204006	107	42	42	65	
1/4	112	114	73	3900	34203276	215	55	66	71	
3/8	112	114	73	> 6500	34203277	215	55	66	71	
1/2	112	114	73	> 6500	34203278	215	55	66	71	
lubricator - metal bowl with level display										
3/4	160	520	500	16000	34207233	247	90	90	57	
1	160	520	500	17700	34207234	247	90	90	57	
1 1/2	160	520	500	17700	34207236	247	90	90	57	

DIMENSIONS

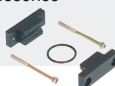


OPTIONS AND ACCESSORIES

Mountings (see page 97)



Assembly kit for fitting additional accessories (see page 97)



Mounted together



Metal bowl (Modulair 112)



Oil refill with lubricator under pressure (Modulair 107)

SHUT-OFF VALVE AND SOFT-START UNIT

Type Modulair 107-112-160
G 1/4 to G 1 1/2



	Modulair 107	Modulair 112	Modulair 160
Fluids	filtered air or neutral gas, lubricated or not		
Operating pressure	2,5 to 10 bar	3 to 10 bar	0,5 to 16 bar
Ambient temperature	0°C to +50°C		
Body	metal		

- Assures automatic drain of a pneumatic circuit whenever a system fails: shut-off valve
- Assures pressurisation of machines and systems: adjustable progressive restoring of pressure
- Two types of control: pneumatic (automatic version) or electrical (solenoid air version)
- Set-point value is secured by means of dowel pin, or safety key

YOUR SELECTION

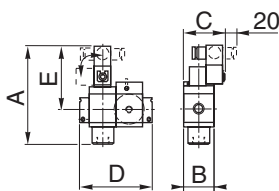
pipe size G	Modulair	flow at 6 bar (ANR) l/min	code	solenoid pilot valve					connector
				qty	code	~ VA	= W	(M)	
shut-off valve 3/2 NC + soft-start unit 2/2 NC - automatic									
1/4	107	1000	34394014	+ 1x	30211112--A 30211112--D	1,2 -	- 1,2	▼ ▼	size 15 DIN 43650, 9,4 mm, form C
1/4	107	1000	34394006						
1/4	112	2700	34393107	+ 1x	19000017(1)	4	3	▼	size 30 ISO 4400 / EN 175301-803, form A
3/8	112	2700	34393108						
1/2	112	2700	34393109						
soft-start unit 2/2 NC - automatic									
1/4	107	1000	34304022						size 30
1/2	112	2700	34303021						ISO 4400 / EN 175301-803, form A
shut-off valve 3/2 NC + soft-start unit 2/2 NC - solenoid air controlled									
1/2	112	2700	34393112						size 30
3/4	160	10500	34397034	+ 2x	19000017(1)	4	3	▼	ISO 4400 / EN 175301-803, form A
1	160	10500	34397035						
shut-off valve 3/2 NC									
1/4	107	1000	34394010	+ 1x	30211112--A 30211112--D	1,2 -	- 1,2	▼ ▼	size 15 DIN 43650, 9,4 mm, form C
1/4	107	1000	34394002						
3/8	112	2700	34393102	+ 1x	19000017(1)	4	3	▼	size 30
1/2	112	2700	34393103						ISO 4400 / EN 175301-803, form A
shut-off valve 3/2 NC air controlled + soft-start unit 2/2 NC automatic									
3/4	160	10500	34307006						-
shut-off valve 3/2 NC solenoid air controlled + soft-start unit 2/2 NC automatic									
3/4	160	10500	34397006						size 30
1	160	12000	34397007	+ 1x	19200009(1)	6	5	▼	ISO 4400 / EN 175301-803, form A
1 1/2	160	12000	34397009						

(1) : When ordering, please specify in addition to the code: voltage / frequency

(M) : Manual operator ▼ : with impulse manual operator

DIMENSIONS

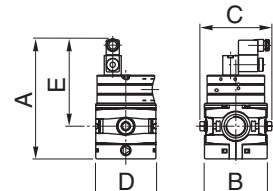
Modulair 107 - 112



dimensions
(mm)

	A	B	C	D	E
Modulair 107	173	42	74	84	126
Modulair 112	182,5	55	73	125	115
Modulair 160	191	94	104	90	142

Modulair 160



OPTIONS AND ACCESSORIES

Mountings (see page 97)



Assembly kit for fitting
additional accessories
(see page 97)



Exhaust silencer
(see page 100)



Mounted together



Pressure gauges
(see page 98)



3/2 ISOLATION VALVES WITH MANUAL CONTROL LOCKABLE

Type Modulair 107-112-160

G 1/4 to G 1 1/2



	Modulair 107-112	Modulair 160
Fluids	air or neutral gas	
Operating pressure	max. 16 bar.	max. 17,5 bar
Ambient temperature	-10°C to +50°C	
Body	metal	

- Isolates air pressure
- Stops installations being pressurised after interruption: multi position
- Assures maximum air flow: ball valve construction
- Easy to operate with handle 90°

YOUR SELECTION

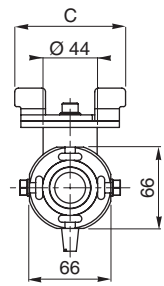
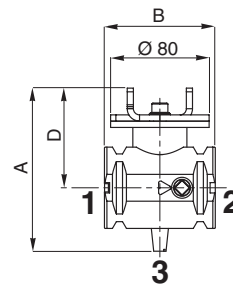
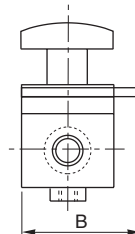
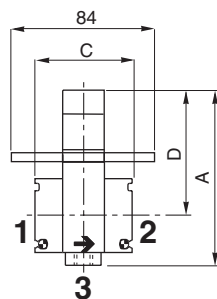
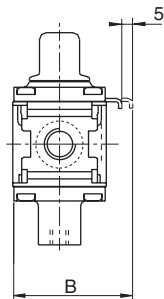
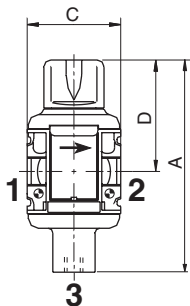
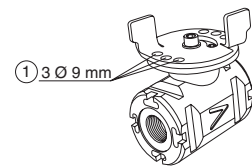
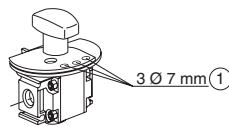
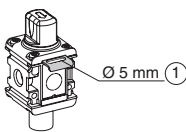
pipe size	Modulair	max. flow (1 to 2) l/min	drain rate at 6 bar (ANR) (2 to 3) l/min	drain time (for 10 liters) s	code		dimensions (mm)			
					padlockable version	standard version	A	B	C	D
1/4	107	direct access	560	6	34304018		97	54	42	50
1/4					34303052	34303013	106	70	58	74
3/8	112				34303053	34303014	106	70	58	74
1/2					34303054	34303015	106	70	58	74
3/4					34307001		132,4	90	90	81
1	160		650	28	34307002		132,4	90	90	81
1 1/2					34307004		132,4	90	90	81

DIMENSIONS

Modulair 107

Modulair 112

Modulair 160



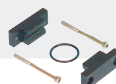
① Can be immobilised in closed position, using padlock

OPTIONS AND ACCESSORIES

Mountings (see page 97)



Assembly kit for fitting additional accessories (see page 97)



Exhaust silencer (see page 100)



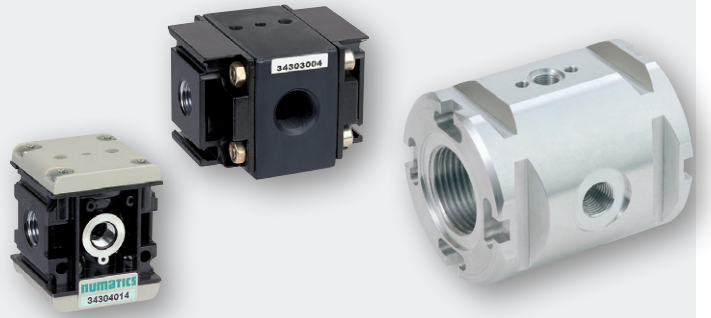
Mounted together



BY-PASS MODULES

Type Modulair 107-112-160

G 1/4 to G 1



	Modulair 107-112	Modulair 160
Fluids	air or neutral gas	
Operating pressure	max. 16 bar.	max. 17,5 bar
Ambient temperature	-10°C to +50°C	
Body	metal	

- Assures air supply through a secondary circuit, filtered, lubricated or not
- Has the ability to check the level of contamination in the filter using a pressure switch
- Non threaded connection

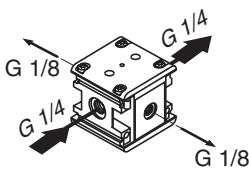
YOUR SELECTION

pipe size G	Ø ports for by-pass G	Modulair	adaptation pressure switch	code	dimensions (mm)		
					A	B	C
3/8	2 ports 1/8, front and rear	107	possible (1)	34304014	51	42	42
1/4	3 ports 3/8, lower, front and rear	112	possible (1)	34303004	47	55	66
3/8	3 ports 3/8, lower, front and rear	112	possible (1)	34303005	47	55	66
1/2	3 ports 3/8, lower, front and rear	112	possible (1)	34303006	47	55	66
3/4 - 1	4 ports: 1/8 upper, 1 lower, 1/4 front and rear	160	possible (1)	34307020	66	66	80

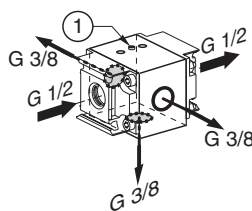
(1) pressure switch with subbase code: 34900030 or 34900031 to be supplied separately (see page 102)

DIMENSIONS

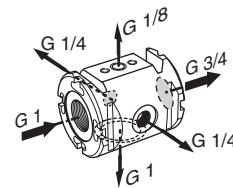
Modulair 107



Modulair 112

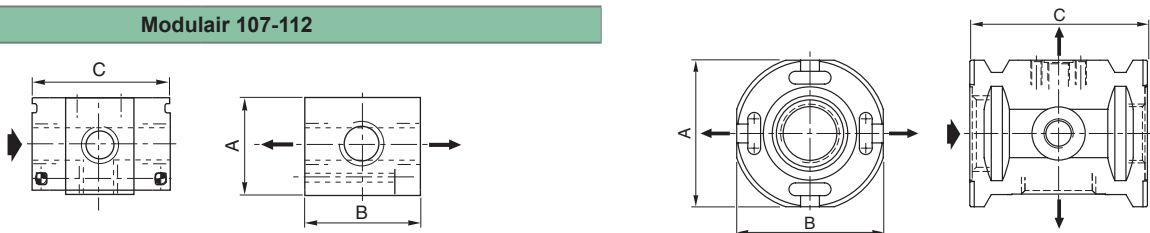


Modulair 160



① Immersed, sealed sunk plug. To be removed before mounting pressure switch (dismantle using 2 mm hex wrench)

Modulair 107-112

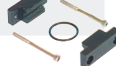


OPTIONS AND ACCESSORIES

Mountings (see page 97)



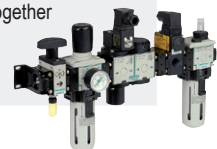
Assembly kit for fitting additional accessories (see page 97)



Pressure switch with subbase (see page 102)



Mounted together

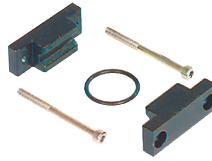


ACCESSORIES FOR AIR SERVICE EQUIPMENT

YOUR SELECTION

ASSEMBLY KIT WITH 2 ELEMENTS

code



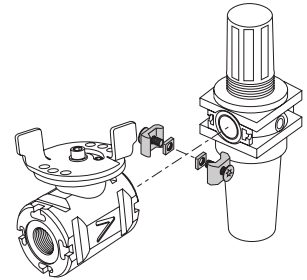
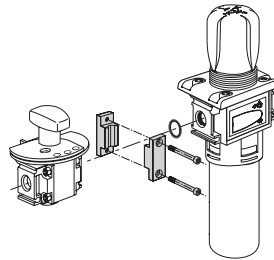
Modulair 107
34304001



Modulair 160
34307005

Modulair 112
34303001

1 assembly kit with 2 elements



SIDE MOUNTING BRACKETS

code



Modulair 105
34325005



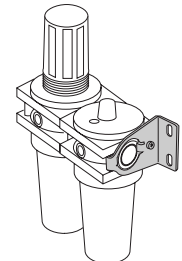
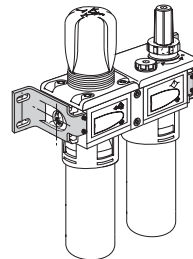
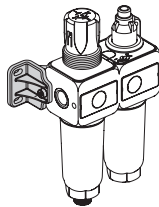
Modulair 107
34304003



Modulair 160
34307017

Modulair 112
34303003

1 set of two side mounting brackets



TOP MOUNTING BRACKETS

code



Modulair 105
34300011 (1)
34300016

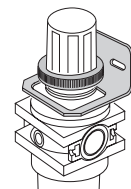
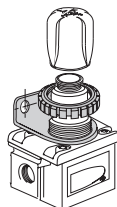
Modulair 107
34300011
34300016

Modulair 112
34300004
34300017



Modulair 160
34307015
34307016

(1) Top mounting ring supplied with Modulair 105 regulator



2013/R01 Availability, design and specifications are subject to change without notice. All rights reserved.

ACCESSORIES FOR AIR SERVICE EQUIPMENT

YOUR SELECTION

PRESSURE GAUGES

	size	code	adaptable on Modulair				
			105	107	112	160	
Single pressure gauge Ø 40 mm	0 - 4 bar	R1/8 tapered	34300015	●	●		
	0 - 10 bar		34300014	●			
	0 - 12 bar		34300041		●		
Single pressure gauge Ø 50 mm	0 - 4 bar	R1/8 tapered	34200061			●	
	0 - 12 bar		34200062			●	
	0 - 16 bar		34200997				●



MOUNTING ON PIPE



	size	code
set of 2 connecting flanges	1 1/2	34307018

LOCK DEVICE



	code
lock device with key	34303050

DRIP LEG AUTODRAIN

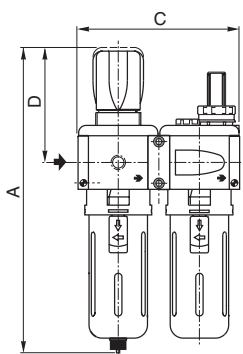


The automatic drain valve collects and drains, by means of a built-in automatic valve, water within compressed air systems. For a longer lifetime of the automatic drain valve, the unit includes a 5 µm filter element to strain main condensates.

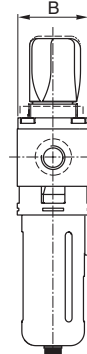
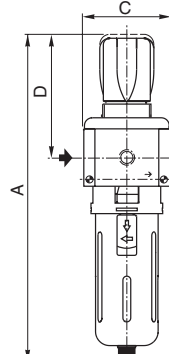
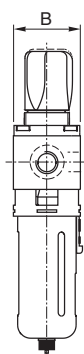
	size	Operating pressure	code
automatic drain valve	1/2	1-16 bar	34201471

DIMENSIONS

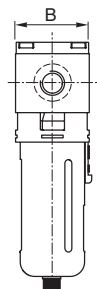
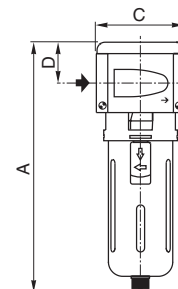
filter/regulator + lubricator



filter/regulator



filter



PNEUMATIC ACCESSORIES

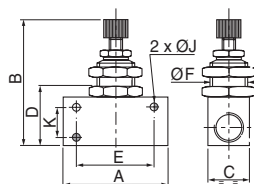
"IN LINE" PANEL MOUNTED FLOW REGULATORS

CHARACTERISTICS

Operating pressure: 1 to 10 bar
 DRV100B: vacuum, 0,2 to 10 bar
 Temperature: -10°C to +60°C
 DRV100B: - 20°C to +80°C
 Aluminium bodies
 NBR (nitrile), seal



pipe size G	code
1/8	34602152
1/4	34602153
3/8	34602154
1/2	34602155
3/4	34600156



dimensions (mm)									
A	B	C	D	E	F	J	K		
34	56	16	24	24	12	4,5	-		
50	75	25	35	35	18	6,5	-		
58	75	25	35	40	18	6,5	-		
65	92	30	46	50	22	6,5	-		
110	119	39	58	70	37	6,5	-		

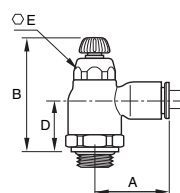
BANJO FLOW REGULATORS, ADAPTABLE ON CYLINDER

CHARACTERISTICS

Operating pressure: 1 to 10 bar
 Temperature: 0°C to +70°C
 Body: (see table)
 NBR (nitrile), seal
 Allows for direct installation in cylinder ports to create more compact units

plastic body - adjustable by button/screw

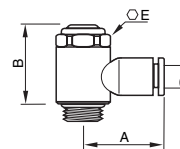
pipe size G	tube O.D. (mm)	code
M5	4	34602188
1/8	4	34602221
1/8	6	34602222
1/4	6	34602223
1/4	8	34602224
3/8	10	34602021
1/2	12	34602022



dimensions (mm)			
A	B	D	E
17	26	-	6
22	44	16	10
22	44	16	10
22	42,5	15	10
28	48	18,5	14
32	54	20	17
35	54	20	17

plastic body - adjustable by embedded screw

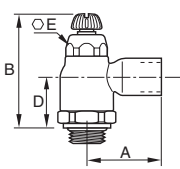
pipe size G	tube O.D. (mm)	code
1/8	6	34602018
1/4	6	34602019
1/4	8	34602020



21	26	-	13
22	28	-	17
27	28	-	17

metal body, threaded output - adjustable by button/screw

pipe size G	code
1/8	34602181
1/4	34602182
3/8	34602183

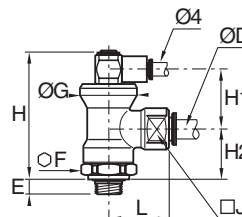


dimensions (mm)			
A	B	D	E
22,5	52,5	23	10
32	55,5	25	14
34,5	62	27	17

ORIENTABLE CYLINDER BLOCKING FITTING

Fluids	air, neutral gas, filtered, lubricated or not
Operating pressure	10 bar max.
Pilot pressure	1.5 to 4 bar
Ambient temperature	-20°C to +70°C
Body	Treated brass
Diaphragm and seals	NBR (nitrile)

pipe size G	coupler size ØD	code	dimensions (mm)							
			E	F	G	H	H1	H2	J	L
3/8	8	34602451	7,5	21	24	53	24,5	21	17	28



PNEUMATIC ACCESSORIES

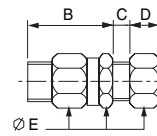
EXHAUST REGULATORS

CHARACTERISTICS

Operating pressure: 0 to 30 bar
 Temperature: -10°C to +80°C
 Brass body



pipe size G	orifice size (mm)	code
1/8	5	34600107
1/4	8	34600108



dimensions (mm)				
B	C min. max.		D	E
22	1	4	8,5	13
29	1	5	11,5	17

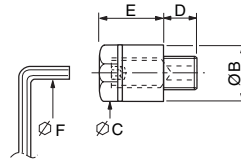
EXHAUST REGULATORS + SILENCERS

CHARACTERISTICS

Operating pressure: 0 to 10 bar
 Temperature: -10°C to +80°C
 Technical polymer body
 Silencer element in porous plastic



pipe size G	code
1/8	34600413
1/4	34600414
3/8	34600415



dimensions (mm)					
B	C	D	E	F	
15	13	6	14,5	2,5	
18	15	7	22	4	
2x4	20	8	30	6	

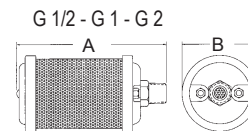
HIGH FLOW SILENCERS

HIGH FLOW SILENCERS

Operating pressure: 10 bar max.
 40 bar optional
 Temperature: -40°C to +140°C
 Body: zinc plated steel and alu



pipe size G	flow at 6,2 bar l/min.	code
1/2	7240	SE50HB
1	22600	SE100HB
2	90600	SE200HB



dimensions (mm)	
A	B
152	80
222	98
479	133

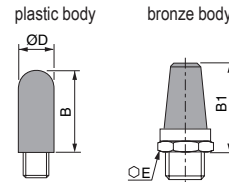
EXHAUST SILENCERS

CHARACTERISTICS

Operating pressure: 0 to 10 bar
 Ambient temperature: -10°C to +80°C
 Body: (see table)



pipe size G	code	
	plastic body	bronze body
M5	-	34600207
1/8	34600406	34600001
1/4	34600407	34600002
3/8	34600408	34600003
1/2	34600409	34600004
3/4	-	34600005
1	-	34600006



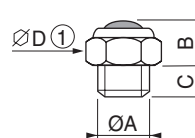
dimensions (mm)				
B	B1	D	E	
27	22,4	13	13	
34	41,6	15	16	
55	49,2	18	24	
62	54,6	23	27	
	82,3		36	
	93,5		50	

CHARACTERISTICS

Operating pressure: 0 to 10 bar
 Ambient temperature: -10°C to +80°C
 Body: stainless steel



pipe size	code
G 1/8	34600418
G 1/4	34600419
NPT 1/8	34600482
NPT 1/4	34600483
NPT 1/2	34600481



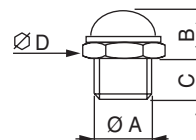
dimensions (mm)			
A	B	C	D
1/8	10	6	13
1/4	11	8	16
1/2	14	9	24

CHARACTERISTICS

Operating pressure: 0 to 12 bar
 Temperature: -10°C to +80°C
 Body: bronze



pipe size G	code
M5	34600491
1/4	34600493



dimensions (mm)			
A	B	C	D
M5	4,5	3,5	8
1/4	11	8	16

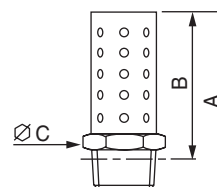
METAL AIR MUFFLERS

CHARACTERISTICS

Operating pressure: 0 to 13,8 bar
 Temperature: -20°C to +110°C
 Body: bichromated zinc steel
 Sieve: brass



pipe size G	flow at 6,2 bar l/min.	code
1/8	1246	M1MB
1/4	2718	M2MB
3/8	5660	M3MB
1/2	8600	M4MB
3/4	15850	M5MB
1	22650	M6MB



dimensions (mm)		
A	B	C
35	31	11
44	39	14
57	51	18
69	61	22
80	71	27
99	88	33

PNEUMATIC ACCESSORIES

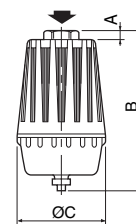
EXHAUST SILENCER FILTERS

CHARACTERISTICS

Operating pressure: 0 to 16 bar
Temperature: -5°C to +50°C
Max. differential pressure: 0,5 bar
PP (polypropylene) and aluminium body
NBR (nitrile), seal



pipe size G	max. flow (ANR) l/min.	code
1/2	1300	34600213
3/4	1600	34600214
1	2900	34600215



dimensions (mm)		
A	B	C
12	180	90
12	180	90
15	250	110

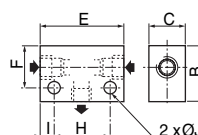
SHUTTLE VALVES

CHARACTERISTICS

Operating pressure: 1 to 10 bar
Temperature: -10°C to +60°C
Aluminium bodies
Internal parts: steel + NBR (nitrile)



pipe size G	orifice size (mm)	code
1/8	3,2	34600127
1/4	6	34600119



dimensions (mm)						
B	C	E	F	H	I	J
26	16	51	20,5	32	9,5	4,5
30	20	52	21,5	35	8,5	5,5

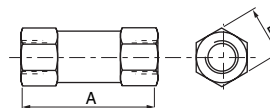
NON-RETURN VALVES

CHARACTERISTICS

Operating pressure: 0,5 to 10 bar
Temperature: -10°C to +60°C
Nickel plated brass body
NBR (nitrile), seal



pipe size G	flow at 6 bar (ANR) l/min.	code
1/8	920	34602124
1/4	1650	34602125
3/8	2400	34602444
1/2	3500	34602126



dimensions (mm)	
A	B
36,5	13
41	16
51	20
62	24

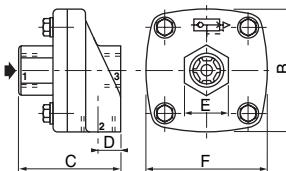
QUICK EXHAUST VALVES

CHARACTERISTICS

Operating pressure: 0,5 to 10 bar
Temperature: -10°C to +60°C
Light-alloy body
NBR (nitrile) diaphragm



pipe size G	orifice size (mm)	code
1/4	12	34600136
3/8	12	34600137
1/2	20	34600138
3/4	20	34600139



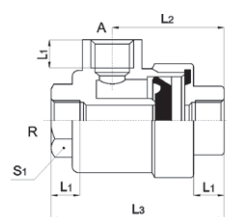
dimensions (mm)					
B	C	D	E	F	
64	52	13	25	64	
64	52	13	25	64	
85	72	19	38	97	
85	72	19	38	97	

CHARACTERISTICS

Operating pressure: 1 to 10 bar
Temperature: -20°C to +70°C
Body: nickel plated brass
Diaphragm: PUR (polyurethane)



pipe size G	code
3/8	SEV37C
1/2	SEV50C



dimensions (mm)				
L1	L2	L3	S1	
11	35	54	19	
14	45	72	26	

(option Viton®)

(Viton® is a registered trademark of Dupont Performance Elastomers)

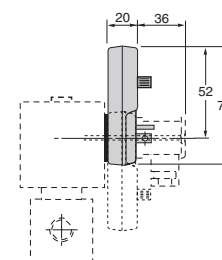
ELECTRONIC TIMERS

CHARACTERISTICS

Number of pins: 2 + earth / ground
Approval: CSA
Housing: PA (polyamide)
Connector complies with: ISO 4400
Standard voltages: 24 to 240V DC / AC (50/60Hz)
Max. power (I = 1A max.): 24VA (24V) to 240VA (240V)



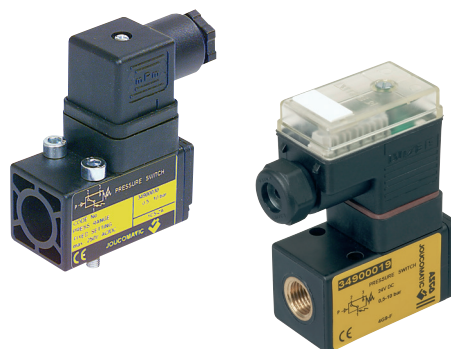
timer control		timer orientation	voltage	code
ON signal sec	OFF signal min	180°x180°	DC/AC = / ~ V	88122627



PNEUMATIC ACCESSORIES

ADJUSTABLE SUBBASE MOUNTED OR G1/4 PRESSURE SWITCHES

Visualisation and electrical protection	without	with
Fluids	air, neutral gas, filtered, lubricated or not	
Regulation range	see below	
Hysteresis	0,4 bar / 1 bar	
Shut-off capability	5 A - 250 V resistive	2 A - 24 V DC resistive
Temperature	-10°C to +60°C	0°C to +60°C
Electrical connection	ISO 4400 / EN 175301-803, form A	
Max. voltage	250 V AC/DC	24 V DC
Degree of protection	IP65	
Body	PC (polycarbonate)	
Seals	NBR (nitrile)	



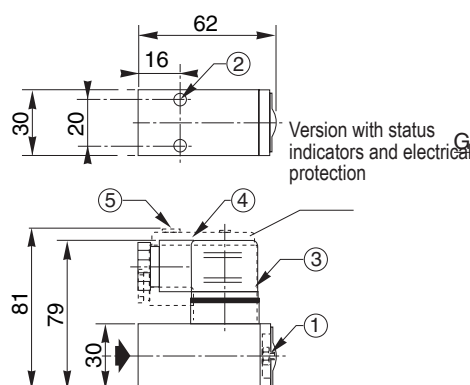
Regulation range code

Threaded body		
with side pneumatic connection, threaded G1/4	0,5 to 10 bar	34900018
with side pneumatic connection, threaded G1/4	0,2 to 6 bar	34900015
with side pneumatic connection, threaded G1/4, with status indicators and electrical protection	0,5 to 10 bar	34900019
Subbase mounted		
with subbase mounted pneumatic connections	0,5 to 10 bar	34900030
with subbase mounted pneumatic connections, with status indicators and electrical protection	0,5 to 10 bar	34900031
adjustable vacuum switch		
with side pneumatic connection, tapped G1/4	0,5 to 10 bar	34900012

all versions

threaded body G1/4

subbase



G1/4

Ø 8

- ① pressure set screw (3mm hex screw)
- ② 2 mounting holes, Ø 5,5 mm
- ③ ISO 4400 connector, 4 terminals, rotatable through 90° x 90°
- ④ non-rotatable connector
- ⑤ label holder

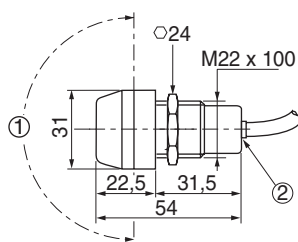
PNEUMATIC INDICATOR

CHARACTERISTICS

Fluids	air, neutral gas, filtered, lubricated or not
Operating pressure	2 to 8 bar
Ambient temperature	+5°C to +70°C
Angle of vision	180°
Lens	PC (polycarbonate)
Body and collar	POM (polyacetal)
Nut	Brass



colour	code
red	34600130
yellow	34600131



- ① Angle of vision 180°
- ② Instant fittings for flexible tube Ø 4 O.D.

CONNECTORS

sizes 15, 22 and 30



	size 15	size 22	size 30
Connector specification	DIN 43650, 9,4 mm, form C	DIN 43650, 11 mm, industry standard B	ISO 4400 / EN 175301-803, form A
Number of contacts	2 + common earth		
Distance between contacts	9,4/8 mm	11 mm	18 mm
Degree of protection	IP65		
Connection cable	by screw or by cable		
Wire cross-section	0,5 mm ² /0,75 mm ²	0,75 mm ² /1,5 mm ²	
Standard housing	PA (polyamide), glass-fibre reinforced		
Housing with LED	transparent polyamide (PA)		
Cable diameter	4 to 6 mm	6 to 8 mm	6 to 10 mm
Version with LED	-	6 to 8 mm	8 to 10 mm

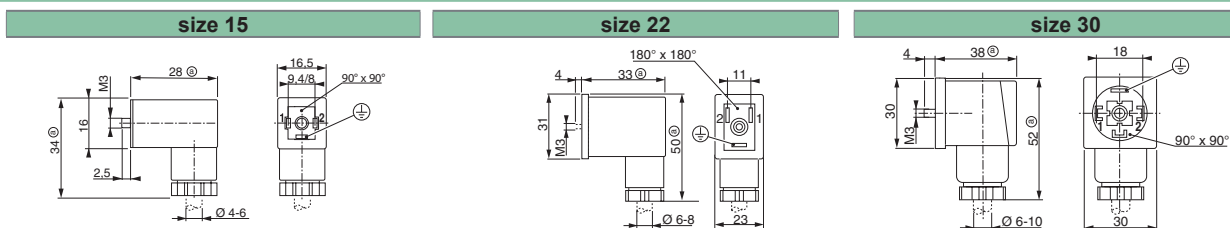
- For internal/external applications
- IP 65 protection
- Integrated visualisation and electrical protection
- Easy connection and control of power supply to connector size 30 (removable cover)

YOUR SELECTION

voltage DC (=) / AC (~) V	code			
	size 15 9,4 mm	size 15 8 mm	size 22	size 30
Standard connector				
all	88143581	88130211	88122404	88122602
Connector with cable length of 2 meters				
all	88143567	-	88122413	88122612
Connector with integrated visualisation and protection				
24 V DC/AC	88143580 (1)	-	88122405	88122603
48 V DC/AC	-	-	88122406	88122604
115 V DC/AC	-	-	88122407	88122605
230 V DC/AC	-	-	88122410	88122608
Connector with protection by TRANSIL and LED display for general purpose				
115 V DC/AC	-	-	-	88122618 (2)
115 V DC/AC	-	-	-	88122619 (3)
Connector with protection by TRANSIL and LED display for automobile industry				
24 V DC/AC	-	-	-	88122620 (1)
24 V DC/AC	-	-	-	88122621 (3)

(1) : 2 m cable (2) : 3 m cable (3) : 5 m cable

DIMENSIONS



OPTIONS AND ACCESSORIES

Batch of 100 connectors,
standard size 22
code: **88122421**

Batch of 100 connectors,
standard size 30
code: **88122636**

REPLACEMENT COILS

YOUR SELECTION

product code	coil type	product code	coil type	product code	coil type	product code	coil type
18900001	C22A-2,5W	SCG256B004VMS	CM22-4W/6,9W	E262K202S1N01H9	MXX-HT	E314K035S1N01FL	MXX-FT
18900002	C22A-2,5W	SCG256B004NVMS	CM22-4W/6,9W	E262K208S1N00FL	MXX-FT	E314K035S1N01FR	MXX-FT
18900010	C22A-2,5W	SCG256B016VMS	CM22-4W/6,9W	E262K208S1N00FR	MXX-FT	E314K035S1N01FT	MXX-FT
18900011	C22A-2,5W	SCG256B402VMS	CM22-4W/6,9W	E262K208S1N00FT	MXX-FT	E314K035S1N01F8	MXX-FT
18900032	CM22-2,5/3 W	SCG256B404VMS	CM22-4W/6,9W	E262K208S1N00F8	MXX-FT	E314K035S1N01F1	MXX-FT
19000005	C25A-3W	SCG256B466VMS	CM25-5/6,9W	E262K208S1N00H1	MXX-HT	E314K035S1N01F9	MXX-FT
19000006	C25A-3W	SCG256B470VMS	CM25-5/6,9W	E262K208S1N00H9	MXX-HT	E314K054S1N00FL	MXX-FT
19000008	C25A-3W	E262K020S1N00FL	M6-FT	E262K208S1N01FL	MXX-FT	E314K054S1N00FR	MXX-FT
19000013	C25A-3W	E262K020S1N00FR	M6-FT	E262K208S1N01FR	MXX-FT	E314K054S1N00FT	MXX-FT
19000014	C25A-3W	E262K020S1N00FT	M6-FT	E262K208S1N01FT	MXX-FT	E314K054S1N00F8	MXX-FT
19000016	C25A-3W	E262K020S1N00F8	M6-FT	E262K208S1N01F8	MXX-FT	E314K054S1N00F1	MXX-FT
19000017	C25A-3W	E262K020S1N00H1	M6-HT	E262K208S1N01H1	MXX-HT	E314K054S1N00F9	MXX-FT
19000018	C25A-3W	E262K020S1N00H9	M6-HT	E262K208S1N01H9	MXX-HT	E314K054S1N01FL	MXX-FT
19000021	C25A-3W	E262K022S1N00FL	M6-FT	E262K208S1E00FL	MXX-FT	E314K054S1N01FR	MXX-FT
19000022	C25A-3W	E262K022S1N00FR	M6-FT	E262K208S1E00FR	MXX-FT	E314K054S1N01FT	MXX-FT
19201001	C30A	E262K022S1N00FT	M6-FT	E262K208S1E00FT	MXX-FT	E314K054S1N01F8	MXX-FT
19201002	C30A	E262K022S1N00F8	M6-FT	E262K208S1E00F8	MXX-FT	E314K054S1N01F1	MXX-FT
19201003	C30A	E262K022S1N00H1	M6-HT	E262K208S1E00H1	MXX-HT	E314K054S1N01F9	MXX-FT
19201007	C30A	E262K022S1N00H9	M6-HT	E262K208S1E00H9	MXX-HT	E314K068S1V00FL	MXX-FT
19201008	C30A	E262K022S1V00FL	M6-FT	E262K212S1N00FL	MXX-FB	E314K068S1V00FR	MXX-FT
19201009	C30A	E262K022S1V00FR	M6-FT	E262K212S1N00FR	MXX-FB	E314K068S1V00FT	MXX-FT
19201022	C30A	E262K022S1V00FT	M6-FT	E262K212S1N00FT	MXX-FB	E314K068S1V00F8	MXX-FT
19201023	C30A	E262K022S1V00F8	M6-FT	E262K212S1N00F8	MXX-FB	E314K068S1V00F1	MXX-FT
19201024	C30A	E262K022S1V00H1	M6-HT	E262K212S1N00H1	MXX-HB	E314K068S1V00F9	MXX-FT
19201028	C30A	E262K022S1V00H9	M6-HT	E262K212S1N00H9	MXX-HB	SCG327B001	CM12-FT
19201029	C30A	E262K023S1N00FL	M6-FB	E262K212S1N00FL	MXX-FT	SCG356B001VMS	CM22-4W/6,9W
19201030	C30A	E262K023S1N00FR	M6-FB	E262K261S1N00FR	MXX-FT	SCG356B002VMS	CM22-4W/6,9W
19201136	C30A	E262K023S1N00FT	M6-FB	E262K261S1N00FT	MXX-FT	SCG356B004VMS	CM22-4W/6,9W
19201137	C30A	E262K023S1N00F8	M6-FB	E262K261S1N00F8	MXX-FT	SCG356B006VMS	CM22-4W/6,9W
19201138	C30A	E262K023S1N00H1	M6-HB	E262K261S1N00H1	MXX-HT	SCG356B053VMS	CM22-4W/6,9W
19201142	C30A	E262K023S1N00H9	M6-HB	E262K261S1N00H9	MXX-HT	SCG356B466VMS	CM25-5/6,9W
19201143	C30A	E262K108S1N00FL	MXX-FT	E262K262S1N00FL	MXX-FT	SCG356B470VMS	CM25-5/6,9W
19201144	C30A	E262K108S1N00FR	MXX-FT	E262K262S1N00FR	MXX-FT	SCE370A002	JMX
EME210C094	CMXX-FT	E262K108S1N00FT	MXX-FT	E262K262S1N00FT	MXX-FT	SCE370A017	CMXX-FT
SCE210B154	CM12-FB/FT	E262K108S1N00F8	MXX-FT	E262K262S1N00F8	MXX-FT	SCE370A017(MS)	CMXX-FT
SCE210B155	CM12-FB/FT	E262K108S1N00H1	MXX-HT	E262K262S1N00H1	MXX-HT	SCHTE370A017	CMXX-FT
SCE210B156	CM12-FB/FT	E262K108S1N00H9	MXX-HT	E262K262S1N00H9	MXX-HT	SCE370A021MS	CMXX-FT
SCE210C033	CMXX-FT	E262K202S1N00FL	MXX-FT	G262K002S1N00FL	M6-FT	SCE370A046	CMXX-FT
SCE210C034	CMXX-FT	E262K202S1N00FR	MXX-FT	G262K002S1N00FR	M6-FT	55102009	CM22-2,5W
SCE210C035	CMXX-FT	E262K202S1N00FT	MXX-FT	G262K002S1N00FT	M6-FT	55102011	CM22-2,5W
SCE210C093	CMXX-FT	E262K202S1N00F8	MXX-FT	G262K002S1N00F8	M6-FT	SCG551A001MS	CM22-2,5/3 W
SCE210C094	CMXX-FT	E262K202S1N00H1	MXX-HT	G262K002S1N00H1	M6-HT	SCG551A002MS	CM22-2,5/3 W
SCE210D001	CM6-FT	E262K202S1N00H9	MXX-HT	G262K002S1N00H9	M6-HT	SCG551A005MS	CM22-2,5/3 W
SCE210D002	CM6-FT	E262K232S1N00FL	MXX-FT	E263K124S1N01FL	MXX-FT	SCG551A017MS	CM22-2,5/3 W
SCE210D009	CM6-FT	E262K232S1N00FR	MXX-FT	E263K124S1N01FR	MXX-FT	SCG551A018MS	CM22-2,5/3 W
SCE210D022	CM6-FT	E262K232S1N00FT	MXX-FT	E263K124S1N01FT	MXX-FT	SCG551A067MS	CM22-2,5/3 W
SCE210D095	CMXX-FT	E262K232S1N00F8	MXX-FT	E263K124S1N01F8	MXX-FT		
SCE210-100	CMXX-FT	E262K232S1N00H1	MXX-HT	E263K124S1N01H1	MXX-HT		
SCE220A021	CMXX-HT	E262K232S1N00H9	MXX-HT	E263K124S1N01H9	MXX-HT		
SCE220-025	CMXX-HT/CM12-FT	E262K232S1N01FL	MXX-FT	E263K195S1N01FL	MXX-FT		
SCE222B094	CMXX-FT/CM12-FT	E262K232S1N01FR	MXX-FT	E263K195S1N01FR	MXX-FT		
SCE222B095	CMXX-FT/CM12-FT	E262K232S1N01FT	MXX-FT	E263K195S1N01FT	MXX-FT		
SCE222E002LT	CMXX-FT/CM12-FT	E262K232S1N01F8	MXX-FT	E263K195S1N01F8	MXX-FT		
SCE238D001	CM22-4W/6,9W	E262K232S1N01H1	MXX-HT	E263K195S1N01H1	MXX-HT		
SCE238D001(MO)	CM22-4W/6,9W	E262K232S1N01H9	MXX-HT	E263K195S1N01H9	MXX-HT		
SCE238D002	CM22-4W/6,9W	E262K090S1N00FL	M6-FT	E263K200S1N01FL	MXX-FT		
SCE238D002(MO)	CM22-4W/6,9W	E262K090S1N00FR	M6-FT	E263K200S1N01FR	MXX-FT		
SCE238D003	CM22-4W/6,9W	E262K090S1N00FT	M6-FT	E263K200S1N01FT	MXX-FT		
SCE238D003(MO)	CM22-4W/6,9W	E262K090S1N00F8	M6-FT	E263K200S1N01F8	MXX-FT		
SCE238D004	CM22-4W/6,9W	E262K090S1N00H1	M6-HT	E263K200S1N01H1	MXX-HT		
SCE238D004(MO)	CM22-4W/6,9W	E262K090S1N00H9	M6-HT	E263K200S1N01H9	MXX-HT		
SCE238D005	CM22-4W/6,9W	E262K108S1N01FL	MXX-FT	E263K331S1N01FL	MXX-FT		
SCE238D005(MO)	CM22-4W/6,9W	E262K108S1N01FR	MXX-FT	E263K331S1N01FR	MXX-FT		
SCE238D006	CM25-5/6,9W	E262K108S1N01FT	MXX-FT	E263K331S1N01FT	MXX-FT		
SCE238D006(MO)	CM25-5/6,9W	E262K108S1N01F8	MXX-FT	E263K331S1N01F8	MXX-FT		
SCE238D007	CM25-5/6,9W	E262K108S1N01H1	MXX-HT	E263K331S1N01H1	MXX-HT		
SCE238D008	CM25-5/6,9W	E262K108S1N01H9	MXX-HT	E263K331S1N01H9	MXX-HT		
SCE238D008(MO)	CM25-5/6,9W	E262K182S1N01FL	MXX-FT	SCB263-209LT	CMXX-FT		
SCE238D009	CM25-5/6,9W	E262K182S1N01FR	MXX-FT	SCB263A210LT	CMXX-FT		
SCE238D010	CM25-5/6,9W	E262K182S1N01FT	MXX-FT	SCE263-209LT	CMXX-FT		
SCG238A044	CM6-FT	E262K182S1N01F8	MXX-FT	SCE263A210LT	CMXX-FT		
SCG238A046	CM6-FT	E262K182S1N01H1	MXX-HT	SCE263B206LT	CMXX-FT		
SCG238A047	CM6-FT	E262K182S1N01H9	MXX-HT	E314K008S1V00FL	MXX-FT		
SCG238A048	CM6-FT	E262K184S1N01FL	MXX-FT	E314K008S1V00FR	MXX-FT		
SCG238A050	CM6-FB	E262K184S1N01FR	MXX-FT	E314K008S1V00FT	MXX-FT		
SCG238C016	ANX-7,5W	E262K184S1N01FT	MXX-FT	E314K008S1V00F8	MXX-FT		
SCG238C017	ANX-7,5W	E262K184S1N01F8	MXX-FT	E314K008S1V00F1	MXX-FT		
SCG238C017(MO)	ANX-7,5W	E262K184S1N01H1	MXX-HT	E314K008S1V00F9	MXX-FT		
SCG238C018	ANX-7,5W	E262K184S1N01H9	MXX-HT	E314K035S1N00FL	MXX-FT		
SCG240A101	BMX-6W	E262K202S1N01FL	MXX-FT	E314K035S1N00FR	MXX-FT		
SCG240A103	AMX-6W	E262K202S1N01FR	MXX-FT	E314K035S1N00FT	MXX-FT		
SCG256B001VMS	CM22-4W/6,9W	E262K202S1N01FT	MXX-FT	E314K035S1N00F8	MXX-FT		
SCG256B002VMS	CM22-4W/6,9W	E262K202S1N01F8	MXX-FT	E314K035S1N00F1	MXX-FT		
SCG256B003VMS	CM22-4W/6,9W	E262K202S1N01H1	MXX-HT	E314K035S1N00F9	MXX-FT		

REPLACEMENT COILS

YOUR SELECTION

coil type	code						
	Alternating current (AC) (~) (50Hz)				Direct current (DC)		
	24V ~	48V ~	115V ~	230V ~	24V =	48V =	
 AMX-6W	43005153	-	43005155	43005157	-	-	
 ANX-7,5W	43005273	-	43005274	43005275	43005272	-	
 BMX-6W	43005168	-	43005169	43005171	-	-	
 CM6-FB	400325-201	400325-205	400325-218	400325-217	400325-242	400325-244	
	CM6-FT	400325-101	400325-105	400325-118	400325-117	400325-142	400325-144
 CMXX-FT	400425-101	400425-105	400425-118	400425-117	400425-142	400425-144	
	CMXX-HT	400426-101	400426-105	400426-118	400426-117	400426-142	400426-144
 CM12-FB/-FT	400525-101	400525-105	400525-118	400525-117	400625-242	400625-244	
	CM12-FT	400525-101	400525-105	400525-118	400525-117	400625-142	400625-144
 CM22 - 4W/6,9W	400127-181	400127-185	400127-198	400127-197	400127-142	400127-144	
	CM22 - 2,5/3W (series 189 banjo/SCG551)	400127-081	400127-085	400127-098	400127-097	400904-542	400904-544
 C22A-2.5W (series 189/551)	43004416	43004417	43004419	43004422	43004166	43004167	
 CM25 - 5/6,9W	400727-181	400727-185	400727-118	400727-117	400727-185	400727-118	
 C25A-3W	43004469	43004473	43004471	43004472	43004473	43004471	
 C30A	43005604	43005611	43005617	43005627	43005642	-	
 JMX	43005090	43005091	43005093	43005096	43005099	43005100	
 M6-FT	238213-006	238213-016	238213-033	238213-059	-	-	
	M6-HT	-	-	-	238513-006	238513-017	
	M6-FB	238213-106	238213-116	238213-133	238213-157	-	
	M6-HB	-	-	-	-	238513-106	238513-117
	MXX-FT	238613-006	238613-016	238613-033	238613-059	238713-006	238713-017
 MXX-HT	-	-	-	-	238913-006	238913-017	
	MXX-FB	238613-106	238613-116	238613-133	238613-159	-	
	MXX-HB	-	-	-	-	238913-106	238913-117

HOW TO ORDER

VALVES

Example of configuration (piston-type valve)



SOLENOID VALVES

Example of new 15-digit product code

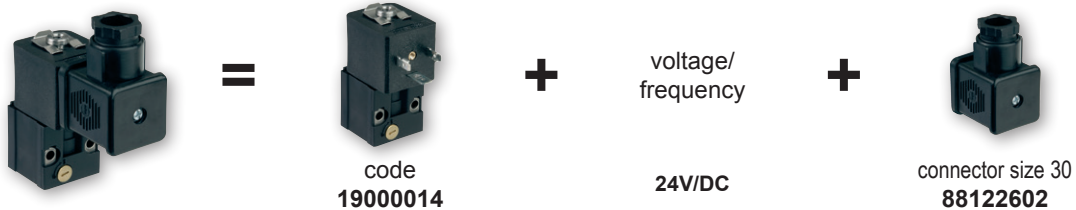


15-DIGIT PRODUCT CODE (integrating the voltage/frequency)
E262K020S1N00F8

Example of configuration (solenoid valve with connector)

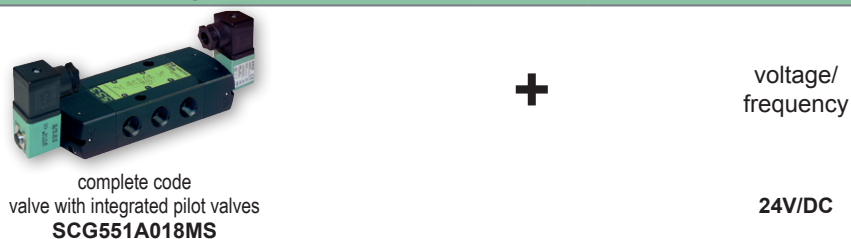


Example of configuration (solenoid valve with connector)



SPOOL VALVES

Example of configuration (threaded spool valve, solenoid air operated)



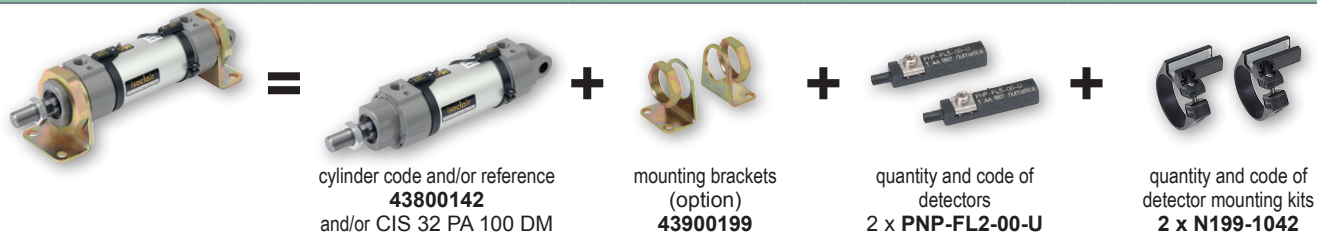
HOW TO ORDER

CYLINDERS

Example of configuration (new 453 series - 15-DIGIT PRODUCT CODE)

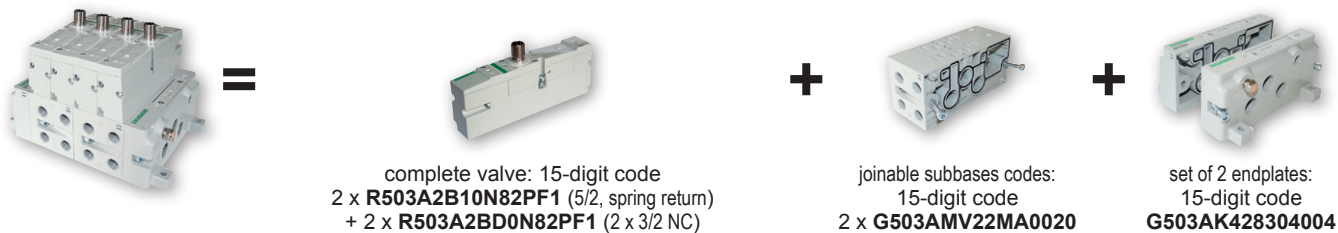


Example of configuration (Isoclair cylinder)



SPOOL VALVES

Example of configuration (spool valve ISO 15407-1 26 mm, with subbase, solenoid air operated)



AIR SERVICE EQUIPMENT

Example of configuration (filter/regulator + lubricator)



INDEX CODE - PAGE

Code	Page	Code	Page	Code	Page	Code	Page	Code	Page
010653	30	010780	30	19201143	49	E262K232S1N01	10	E290B026	8
010654	30	010781	30	19201144	49	E262K261S1N00	10	E290B027	8
010655	30	010782	30	SCE210B154	12	E262K262S1N00	10	E290B028	8
010656	30	010783	30	SCE210B155	12	26390002	52	E290B036	7
010657	30	010784	30	SCE210B156	12	26390005	53	E290B037	7
010661	30	010785	30	SCE210C033	12	E263K124S1N01	10	E290B038	7
010662	30	010786	30	SCE210C034	12	E263K200S1N01	10	E290B045	7
010663	30	010787	30	SCE210C035	12	E263K195S1N01	11	E290B047	7
010664	30	010788	30	SCE210C093	12	E263K331S1N01	11	E290B048	7
010665	30	010789	30	SCE210C094	12	SCE263-209LT	11	E290B051	7
010666	30	010790	30	SCE210D001	13	SCE263A210LT	11	E290B052	7
010667	30	010791	30	SCE210D002	13	SCE263B206LT	11	E290B053	7
010669	30	010792	30	SCE210D004	13	26490026	52	E290B054	7
010670	30	010793	30	SCE210D009	13	26690001	52	E290B069	8
010671	30	010794	31	SCE210D022	13	26690003	52	E290B070	8
010672	30	010795	31	SCE210D095	12	26690017	53	E290B071	8
010673	30	010796	31	SCE210-100	13	26690018	53	E290B079	7
010674	30	010797	31	E220K405S1T01	14	26790001	52	E290B080	7
010675	30	010798	31	E220K406S1T01	14	26790002	52	E290C	5
010676	30	010799	31	E220K408S1T01	14	26790013	53	P290CA430078001	5
010677	30	010800	31	E220K409S1T01	14	28490040	53	P290CA438907001	5
010678	30	010801	31	SCE222E002LT	14	28490041	53	G3	80
010679	30	010802	31	238213-006	105	28490043	53	30210112--P	47
010680	30	010803	31	238213-016	105	28490001	52	30211109--D	47
010681	30	010804	31	238213-033	105	28490002	52	30211109--P	47
010682	30	010805	31	238213-059	105	28490005	52	30211112--D	47
010683	30	010806	31	238213-106	105	28590213	52	30211112--P	47
010684	30	010807	31	238213-116	105	28590215	52	30211113--D	47
010685	31	010808	31	238213-133	105	28590238	53	30211113--P	47
010686	31	010809	31	238213-157	105	28590239	53	30211122--D	47
010687	31	010832	30	238613-006	105	28690023	52	30211122--P	47
010688	31	010833	30	238613-016	105	28690026	53	30211127--D	47
010689	31	010834	30	238613-033	105	SCG287A001	18	30211178--P	51
010690	31	010835	30	238613-059	105	E290A014	7	30211179--P	51
010691	31	010836	30	238613-106	105	E290A015	7	30212109--P	47
010692	31	010837	30	238613-116	105	E290A016	7	30215178--L	51
010693	31	010838	30	238613-133	105	E290A017	7	30215178--P	51
010694	31	010839	30	238613-159	105	E290A019	7	30215179--P	51
010695	31	010840	31	238813-006	105	E290A020	7	30400001	51
010696	31	010841	31	238813-016	105	E290A021	7	30400007	51
010697	31	010842	31	238813-033	105	E290A023	7	30400008	51
010698	31	010843	31	238813-059	105	E290A024	7	30400011	51
010699	31	010844	30	SCE238D001	13	E290A025	7	30400024	51
010700	31	010845	30	SCE238D001MO	13	E290A034	8	30701001	73
010714	30	010846	30	SCE238D002	13	E290A039	7	30701002	73
010715	30	010847	30	SCE238D002MO	13	E290A040	7	30701005	73
010716	30	010848	30	SCE238D003	13	E290A042	7	30701006	73
010717	30	010849	30	SCE238D003MO	13	E290A043	7	30701009	73
010718	30	010850	30	SCE238D004	13	E290A058	7	30701010	73
010722	30	010851	30	SCE238D004MO	13	E290A059	7	30701011	73
010723	30	010852	31	SCE238D005	13	E290A060	7	30701012	73
010724	30	010853	31	SCE238D006	13	E290A062	7	30701013	73
010725	30	010854	31	SCE238D005MO	13	E290A063	7	30701015	73
010726	30	010855	31	SCE238D006MO	13	E290A064	7	30800001	74
010727	30	010856	30	SCE238D007	13	E290A067	7	30800005	74
010728	30	010857	30	SCE238D008	13	E290A068	7	30800010	74
010730	30	010858	30	SCE238D008MO	13	E290A085	7	30800011	74
010731	30	010859	30	SCE238D009	13	E290A086	7	30800012	74
010732	30	010860	30	SCE238D010	13	E290A384	7	30800016	74
010733	30	010861	30	SCG238A044	12	E290A385	7	30800017	74
010734	30	010862	30	SCG238A046	12	E290A386	7	30800018	74
010735	30	010863	30	SCG238A047	12	E290A387	8	30800027	74
010736	30	010864	31	SCG238A048	12	E290A388	8	30800030	74
010737	30	010865	31	SCG238A050	12	E290A389	8	30900001	74
010738	30	010866	31	SCG238D016	13	E290A390	7	30900002	74
010739	30	010867	31	SCG238D017	13	E290A391	7	30900003	74
010740	30	18900001	48	SCG238D017MO	13	E290A392	7	30900004	74
010741	30	18900002	48	SCG238D018	13	E290A393	7	30900006	74
010742	30	18900007	48	240-205	81	E290A394	7	31000006	74
010743	30	18900010	48	240-206	81	E290A395	7	31000011	74
010744	30	18900011	48	SCG256B001VMS	10	E290A396	8	31000013	74
010745	30	18900018	48	SCG256B002VMS	10	E290A397	8	31090001	74
010746	31	18900019	48	SCG256B003VMS	10	E290A398	8	31090002	74
010747	31	18900032	8	SCG256B004VMS	10	E290A399	7	E314K008S1V00	20
010748	31	19000005	48	SCG256B016VMS	11	E290A400	7	E314K035S1N00	20
010749	31	19000006	48	SCG256B402VMS	10	E290A401	7	E314K035S1N01	20
010750	31	19000008	48	SCG256B404VMS	10	E290A482	7	E314K054S1N00	20
010751	31	19000013	49	SCG256B466VMS	10	E290A485	7	E314K054S1N01	20
010752	31	19000014	49	SCG256B470VMS	10	E290A487	7	E314K068S1V00	20
010753	31	19000016	49	26190067	52	E290A488	7	E314K143S1N01	8
010754	31	19000017	48	26190068	52	E290A498	7	32000001	74
010755	31	19000018	49	26190069	52	E290A500	7	33400036	53
010756	31	19000021	48	26290352	52	E290A501	7	34200061	98
010757	31	19000022	48	26290353	53	E290A791	7	34200062	98
010758	31	19200002	53	26290354	52	E290A791VI	8	34200311	92
010759	31	19200003	53	G262K002S1N00	10	E290A792	7	34200312	92
010760	31	19201001	48	E262K020S1N00	10	E290A792VI	8	34200313	92
010761	31	19201002	48	E262K022S1N00	10	E290A793	7	34200314	92
010762	30	19201003	48	E262K022S1V00	10	E290A793VI	8	34200997	98
010763	30	19201007	48	E262K023S1N00	10	E290A794	8	34201471	98
010764	30	19201008	48	E262K090S1N00	10	E290A795	8	34203001	91
010765	30	19201009	48	E262K108S1N00	10	E290A796	8	34203002	91
010766	30	19201022	49	E262K108S1N01	10	E290A797	7	34203003	91
010770	30	19201023	49	E262K182S1N01	11	E290A798	7	34203008	91
010771	30	19201024	49	E262K184S1N01	11	E290A799	7	34203009	91
010772	30	19201028	49	E262K202S1N00	10	E290B002	7	34203038	91
010773	30	19201029	49	E262K202S1N01	10	E290B004	7	34203039	91
010774	30	19201030	49	E262K208S1N00	10	E290B005	7	34203040	91
010775	30	19201136	49	E262K208S1E00	10	E290B008	7	34203052	92
010776	30	19201137	49	E262K208S1N01	10	E290B009	7	34203053	92
010778	30	19201138	49	E262K212S1N00	10	E290B010	7	34203054	92
010779	30	19201142	49	E262K232S1N00	10	E290B011	7	34203058	92

2013/RO2
Availability, design and specifications are subject to change without notice. All rights reserved.

INDEX CODE - PAGE

Code	Page	Code	Page	Code	Page	Code	Page
P493A6126000A00	35	52000193	66	608012311	83	88130755	73
P493A6128000A00	35	52000196	66	608060111	83	88130757	73
P493A6129000A00	35	52000209	66	608062311	83	88130758	73
P493A6129000A00	35	52000376	65	608210111	83	88130759	73
P493A6325000A00	43	52000380	66	608212311	83	88130760	73
P493A8111000A00	35	52000386	66	608260111	83	88130761	73
P493A8113000A00	35	52100001	66	608262311	83	88130762	73
P493A8121010A00	35	52100002	66	609010111	83	88130763	73
P493A8121110A00	35	52100003	66	609012311	83	88130766	73
P493A8122010A00	35	52100004	66	609060111	83	88130767	73
P493A8122100A00	35	52100005	66	609062311	83	88130770	73
P493A8123010A00	35	52100006	66	609210111	83	88130771	73
P493A8123100A00	35	52100008	66	609212311	83	88130775	73
P493A8124000A00	35	52100009	66	609260111	83	88130802	74
P493A8125100A00	35	52100010	66	609262311	83	88130803	74
P493A8126000A00	35	52100077	65	614357D001106	86	88130804	74
P493A8128000A00	35	52100078	65	614357D001110	86	88130807	74
P493A8129000A00	35	52100079	65	614357D001120	86	88131001	74
P493A8131000A00	35	52100090	66	614357D023106	86	88131005	74
P493A8132000A00	35	54101017	60	614357D023110	86	88135517	64
P493A.J425000A00	43	54101018	60	614357D023120	86	88135527	65
P493A.J42C000A00	43	54101019	60	614357D101106	86	88135528	65
P493A.J42F000A00	43	54101020	60	614357D101112	86	88135532	65
P493A.J431000A00	43	54101021	60	614357D123106	86	88143567	103
P493A.J432000A00	43	54101022	60	614357D123112	86	88143580	103
P493AL425000A00	43	54191023	61	614357D201106	86	88143581	103
P493AL42C000A00	43	54191024	61	614357D201112	86	88263002	47
P493AL42F000A00	43	54191025	61	614357D223106	86	CGT	31
P493AL431000A00	43	54191026	61	614357D223112	86	M1MB	100
P493AL432000A00	43	54191027	61	614357D701106	86	M2MB	100
P493AP121010A00	35	54191028	61	614357D701110	86	M3MB	100
P493AP122010A00	35	54191029	61	614357D701120	86	M4MB	100
P493AP131000A00	35	54191030	61	614357D723106	86	M5MB	100
P493AP132000A00	35	54202017	60	614357D723110	86	M6MB	100
P493AQ131000A00	35	54202018	60	614357D723120	86	NDB25F22U02MSB3	81
P493AQ132000A00	35	54202019	60	614357E001106	86	NDB25F22U05MSB3	81
P494A0021100A00	44	54202020	60	614357E001110	86	NDB25F22U10MSB3	81
P494A0021300A00	44	54202021	60	614357E001120	86	NDB37F22U02MSB3	81
P494A0021400A00	44	54292023	61	614357E023106	86	NDB37F22U02MSB3	81
P494A0021500A00	44	54292024	61	614357E023110	86	NDB37F22U02MSB3	81
P494A0021700A00	44	54292027	61	614357E023120	86	SE50HB	100
P494A0022100A00	44	54292028	61	614357E101106	86	SE100HB	100
P494A0022300A00	44	54292029	61	614357E101112	86	SE200HB	100
P494A0022500A00	44	54391023	61	614357E123106	86	SEV37C	101
P494A0022600A00	44	54391027	61	614357E123112	86	SEV50C	101
P494A0022800A00	44	54391028	61	614357E201106	86	ZF2FA400OG00000	71
P494A2440617A00	44	54400003	60	614357E201112	86		
P494A3129200A00	44	54490017	61	614357E223106	86		
P494A3129300A00	44	54490022	61	614357E223112	86		
P494A3129600A00	44	55000009	76	614357E701106	86		
P494A4129300A00	44	55000010	76	614357E701110	86		
P494A4129600A00	44	55000011	76	614357E701120	86		
P494A5129200A00	44	55000012	74	614357E723106	86		
P494A5129600A00	44	55000039	76	614357E723110	86		
P494A6129600A00	44	55000040	76	614357E723120	86		
P494A8129200A00	44	55000043	76	88100034	68		
P494A.J129300A00	44	55000046	74	88100035	68		
P494AK129300A00	44	55000047	74	88100036	68		
P494AK129600A00	44	55102005	69	88100037	68		
P494AL129300A00	44	55102009	69	88100038	68		
P494AL129600A00	44	55102011	69	88100049	68		
P494AM129300A00	44	55102082	71	88100074	60		
P494AP129200A00	44	55102083	71	88100256	83		
P4994406200N001	44	55102084	74	88100344	69		
P4994406210N001	44	55102086	71	88100727	83		
P4994406220N001	44	55102088	71	88100732	83		
G435	40	55102089	71	88122404	103		
G438	41	55102091	71	88122405	103		
G441	25	55102092	71	88122406	103		
G449	27	55102093	71	88122407	103		
G450	30	55102094	71	88122410	103		
G453A...	29	55102095	71	88122413	103		
G503AA3A30A0030	57	55102096	72	88122602	103		
G503AA3A3M56Y20	58	55102097	72	88122603	103		
G503AA3A3M59W20	58	55102098	72	88122604	103		
G503AK428304004	57	55102099	72	88122605	103		
G503AMV220A0030	57	55102118	69	88122608	103		
G503	57-78	SCG551A001	22	88122612	103		
P503AB428359001	57	SCG551A001MS	22	88122618	103		
R503	56-58	SCG551A002MS	22	88122619	103		
51900001	66	SCG551A005MS	22	88122620	103		
51900002	66	SCG551A017MS	22	88122621	103		
51900004	66	SCG551A018MS	22	88122627	101		
51900005	66	SCG551A067MS	22	88126110	52		
51900078	65	G551A101	22	88126401	52		
52000001	66	G551A105	68	88128408	52		
52000002	66	G551A106	68	88130203	47		
52000003	66	G551A117	68	88130211	103		
52000004	66	G551A118	68	88130401	66		
52000005	66	55200036	71	88130735	73		
52000006	66	55200038	72	88130736	73		
52000007	66	55200039	72	88130737	73		
52000008	66	P599AE428441001	81	88130739	73		
52000009	66	P599AE428441002	81	88130740	73		
52000010	66	P599AE428442001	81	88130741	73		
52000077	65	P599AE428442002	81	88130742	73		
52000078	65	605D0100	85	88130743	73		
52000079	65	605D0106	85	88130744	73		
52000090	66	605D2300	85	88130745	73		
52000189	66	605D2306	85	88130753	73		
52000192	66	608010111	83	88130754	73		

